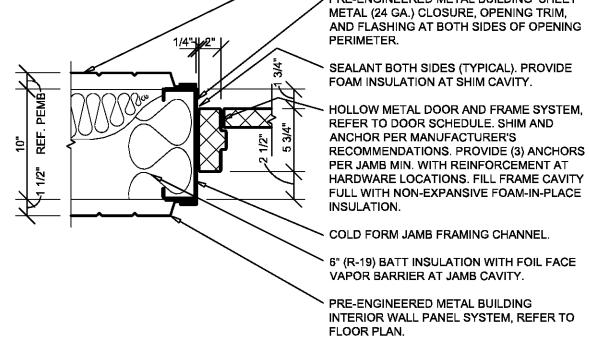
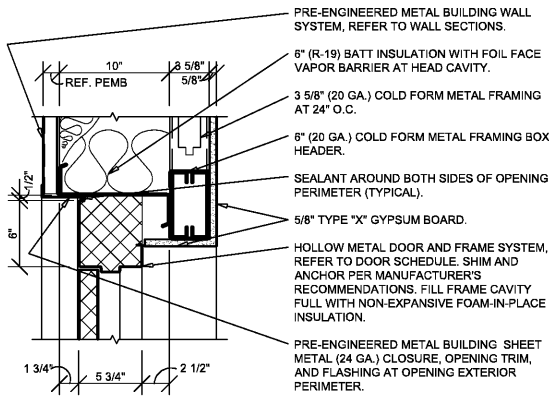


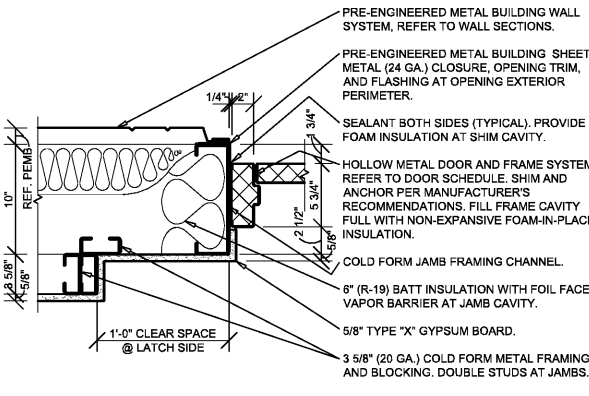
1 HEAD DETAIL
A5.1 SCALE: 1 1/2" = 1'-0"



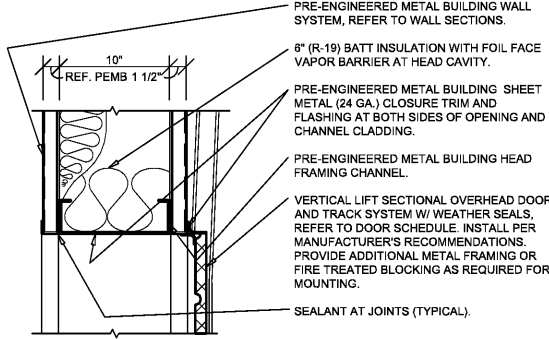
2 JAMB DETAIL
A5.1 SCALE: 1 1/2" = 1'-0"



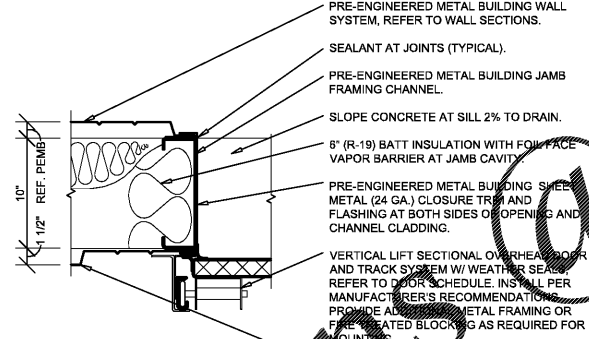
3 HEAD DETAIL
A5.1 SCALE: 1 1/2" = 1'-0"



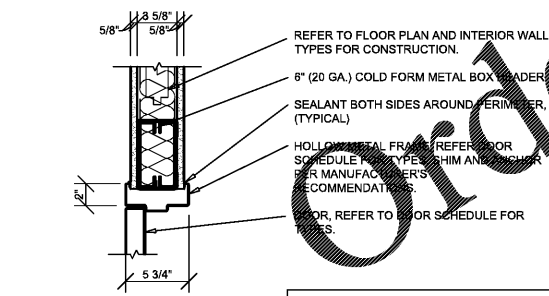
4 JAMB DETAIL
A5.1 SCALE: 1 1/2" = 1'-0"



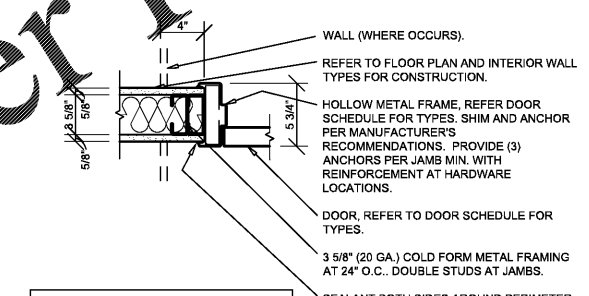
5 HEAD DETAIL
A5.1 SCALE: 1 1/2" = 1'-0"



6 JAMB DETAIL
A5.1 SCALE: 1 1/2" = 1'-0"



7 HEAD DETAIL
A5.1 SCALE: 1 1/2" = 1'-0"



8 JAMB DETAIL
A5.1 SCALE: 1 1/2" = 1'-0"

DOOR SCHEDULE

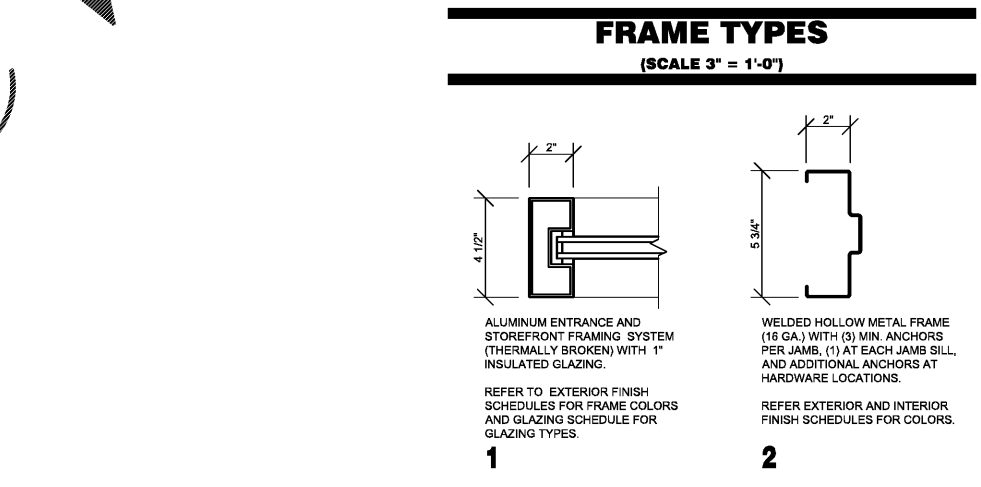
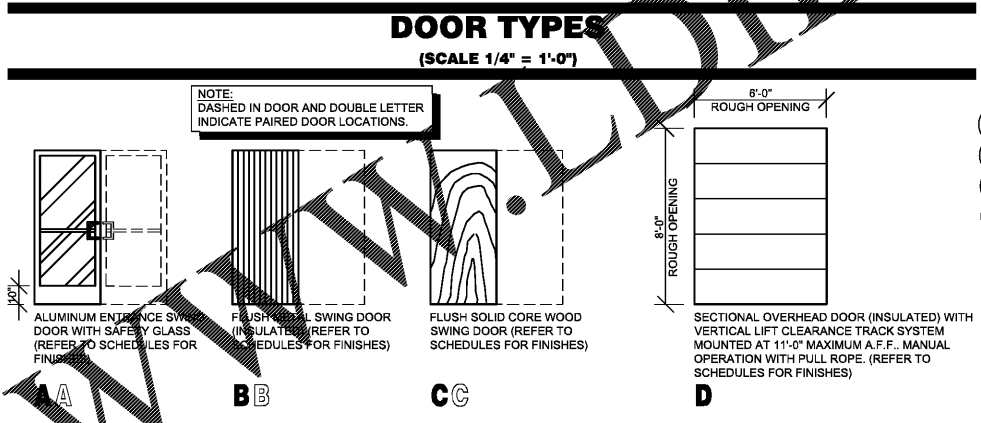
MK	DOOR			DOOR HARDWARE			FRAME			DETAILS			FIRE RATING	REMARKS (REFER NOTES)
	SIZE (W x H x D)	TYPE	SWING	MATERIAL	GLAZ. TYPE	SET #	KEYED	TYPE	MATERIAL	HEAD WIDTH	HEAD	JAMB		
1	3'-0" X 7'-0" X 1-3/4"	A	REFER TO FLOOR PLAN	ALUMINUM	1	1	A	1	ALUMINUM		4/A5.2	4/A5.2	5/A5.2	1, 2
2	3'-0" X 7'-0" X 1-3/4"	B	REFER TO FLOOR PLAN	INSULATED METAL		2	A	2	INSULATED METAL		1/A5.1	2/A5.1	5/A5.2 SIM.	1, 2, 3
3	6'-0" X 6'-0"	D	SECTIONAL OVERHEAD	INSULATED METAL		3			MANUFACTURER'S STANDARDS		5/A5.1	8/A5.1		1
4	3'-0" X 7'-0" X 1-3/4"	C	REFER TO FLOOR PLAN	SOLID WOOD		4		2	HOLLOW METAL		7/A5.1	8/A5.1		1, 4
5	3'-0" X 7'-0" X 1-3/4"	C	REFER TO FLOOR PLAN	SOLID WOOD		5		2	HOLLOW METAL		7/A5.1	8/A5.1		1, 4
6	3'-0" X 7'-0" X 1-3/4"	C	REFER TO FLOOR PLAN	SOLID WOOD		5		2	HOLLOW METAL		7/A5.1	8/A5.1		1, 4
7	3'-0" X 7'-0" X 1-3/4"	B	REFER TO FLOOR PLAN	INSULATED METAL		6		2	INSULATED METAL		3/A5.1	4/A5.1	5/A5.2 SIM.	1, 3

NOTES:
 1. ALL DOORS SHALL BE SHOP PREPARED FOR HARDWARE.
 2. ALL EXTERIOR DOORS TO BE KEYPED ALIKE. CONTRACTOR TO FIELD VERIFY AND MATCH CORE OF DOOR MARKED "2".
 3. EXTERIOR DOOR, FRAME AND HARDWARE OWNER FURNISHED AND CONTRACTOR INSTALLED. REFER TO SCOPE OF WORK SCHEDULE.
 4. CONTRACTOR'S OPTION TO PURCHASE INTERIOR DOORS, FRAMES, AND HARDWARE THROUGH PREFERRED VENDOR. REFER TO SCOPE OF WORK SCHEDULE.

LOCKNET
 100 COURCELLE DRIVE
 NICHOLASVILLE, KY 40356
 CONTACT: PAM PEEL
 PHONE 800-867-4307 EXT 133
 FAX 859-581-5499
 EMAIL: construction@locknet.com

SPECIAL NOTE:
 UNLESS OTHERWISE INDICATED, KNOCK DOWN (KD) TYPE DOOR FRAMES ARE NOT PERMITTED.

DESIGN PRESSURE = +80/-80 PSF

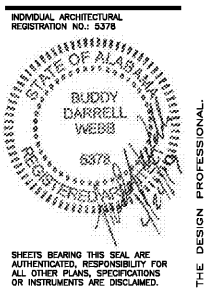


DOOR HARDWARE SCHEDULE

- HARDWARE NOTES:**
 1. ALL HARDWARE TO BE ADA AND ANSI COMPLIANT.
 2. VERIFY COMPATIBILITY OF HARDWARE SPECIFIED. NOTIFY ARCHITECT OF INCOMPATIBILITY ISSUES PRIOR TO ORDERING AND INSTALLATION.
- SET NO. 1 (DR. 1)**
 1 CYLINDER: 20-062 X 626 - "E" KEYWAY (REMOVABLE CORE)..... SCHLAGE
- (FOLLOWING REQUIRED HARDWARE FURNISHED WITH WINDOW FRAMING DOOR SYSTEM)
 1 PAIR OFFSET PIVOTS: 195/185 X 626..... RIXON
 1 DEADLOCK: MS1850S X 626..... ADAMS RITE
 1 DEADLOCK LEVER: 4550 X 626..... ADAMS RITE
 1 STRIKE: MS4002 X 626..... ADAMS RITE
 1 SET PUSH/PULLS: 86-151 ULTRALINE W/ OFFSET PULL X 626..... EFCO
 1 CLOSER: 4041-3077-151-TB X 689 (ADJ. TO 8.5 LBS.)..... LON
 1 SET PERIMETER GASKETS: POLYMERIC BULB X LENGTH REQUIRED..... PEMKO
 1 SWEEP: 345X X LENGTH REQUIRED..... PEMKO
 1 THRESHOLD: 270A X LENGTH REQUIRED (OFFSET PIVOT COMPATIBLE) (ANSI & ADA COMPLIANT)..... PEMKO
- SET NO. 2 (DR. 2)**
 3 HINGES: BB1191 X 4 1/2" X 4 1/2" X 626 NRP..... HAGER
 1 CYLINDER: 20-057 X 626 - KEYWAY (REMOVABLE CORE)..... HAGER
 PROVIDE (2) SECURITY KEYS: (1) CORE KEY, (1) BITTED..... SCHLAGE
 1 EXIT PANIC LOCK: 9300B X 486 X 689 (RT03 X 630 (THROUGH SEX BOLT MOUNTING))..... DORMA
 1 CLOSER: 5300MLN X 689 (ADJ. TO 8.5 LBS.)..... DORMA
 1 SET PERIMETER GASKETS: QEBD-500 X LENGTH REQUIRED..... SCHLEGEL
 1 LATCH GUARD: LG100Z/SF X 626 (STRAIGHT W/ PIN AND SEX BOLTS)..... LATCHGUARD
 1 DOOR BEVER: 696 - 190 X 626..... IVES
 1 THRESHOLD: 31206 X LENGTH REQUIRED..... GLOBAL
- SET NO. 3 (DR. 3)**
 REQUIRED HARDWARE FURNISHED WITH OVERHEAD DOOR SYSTEM (LOCKING FROM INSIDE ONLY)
 1 LATCH GUARD: LG100Z/SF X 626 (STRAIGHT W/ PIN AND SEX BOLTS)..... LATCHGUARD
 1 DOOR BEVER: 696 - 190 X 626..... IVES
 1 THRESHOLD: 31206 X LENGTH REQUIRED..... GLOBAL
- SET NO. 4 (DR. 4)**
 3 HINGES: BB1279 X 4 1/2" X 4 1/2" X 626..... HAGER
 1 OFFICE LOCK: AU5302LN X 626..... YALE
 1 WALL BUMPER: 409 X 626..... ROCKWOOD
- SET NO. 5 (DR. 5, 6)**
 3 HINGES: BB1279 X 4 1/2" X 4 1/2" X 626..... HAGER
 1 PRIVACY LOCK: AU5302LN X 626..... YALE
 1 WALL BUMPER: 409 X 626..... ROCKWOOD
- SET NO. 6 (DR. 7)**
 3 HINGES: BB1191 X 4 1/2" X 4 1/2" X 626 NRP..... HAGER
 1 EXIT PANIC LOCK: 9300B X 486 X 689 (EXIT ONLY)..... DORMA
 1 CLOSER: 5300MLN X 689 (ADJ. TO 8.5 LBS.)..... DORMA
 1 SET PERIMETER GASKETS: QEBD-500 X LENGTH REQUIRED..... SCHLEGEL
 1 LATCH GUARD: LG100Z/SF X 626 (STRAIGHT W/ PIN AND SEX BOLTS)..... LATCHGUARD
 1 DOOR BOTTOM SEAL: 31321 X LENGTH REQUIRED..... GLOBAL
 1 THRESHOLD: 31206 X LENGTH REQUIRED..... GLOBAL

GENERAL NOTES

- A** REFER TO PROJECT MANUAL FOR ADDITIONAL REQUIREMENTS.
- B** REFER TO BUILDING CODE SUMMARY FOR PROJECT STRUCTURAL DESIGN CRITERIA. DOOR FRAMING AND ANCHORING SYSTEMS SHALL BE DESIGNED BY MANUFACTURER TO CONFORM TO PERFORMANCE AND TESTING REQUIREMENTS SPECIFIED.
- C** REFER TO FLOOR PLAN, ELEVATIONS, AND SECTIONS FOR ADDITIONAL REQUIREMENTS.
- D** REFER TO EXTERIOR AND INTERIOR FINISH SCHEDULES FOR COLORS. PERIMETER SEALANT COLOR TO MATCH FRAME COLOR UNLESS OTHERWISE INDICATED.



O'Reilly AUTO PARTS
 CORPORATE OFFICES
 233 SOUTH PATTERSON
 SPRINGFIELD, MISSOURI 65802
 (417) 862-2674 TELEPHONE

PROJECT:
 NEW O'REILLY AUTO PARTS STORE
 U.S. HWY 84 & N. BROADWAY
 ASHFORD, AL

DOOR SCHEDULE

Buddy Webb, NCARB, AIA
Architect - Consultant
 3057 EAST CAIRO
 SPRINGFIELD, MISSOURI 65802
 (417) 877-1365 TELEPHONE
 (417) 877-9736 FAX

DRAWN BY: CG
 CHECKED BY: SB
 DATE: 04/02/19
 REVISION: 04/24/19
 PROJECT NUMBER: AHF
 SHEET NUMBER: A5.1

A5.1

© COPYRIGHT 2019 - DESIGNS, DRAWINGS AND SPECIFICATIONS ARE INSTRUMENTS OF SERVICE AND ARE THE PROPERTY OF THE DESIGN PROFESSIONAL. REPRODUCTION PROHIBITED WITHOUT THE EXPRESSED WRITTEN CONSENT OF THE DESIGN PROFESSIONAL.