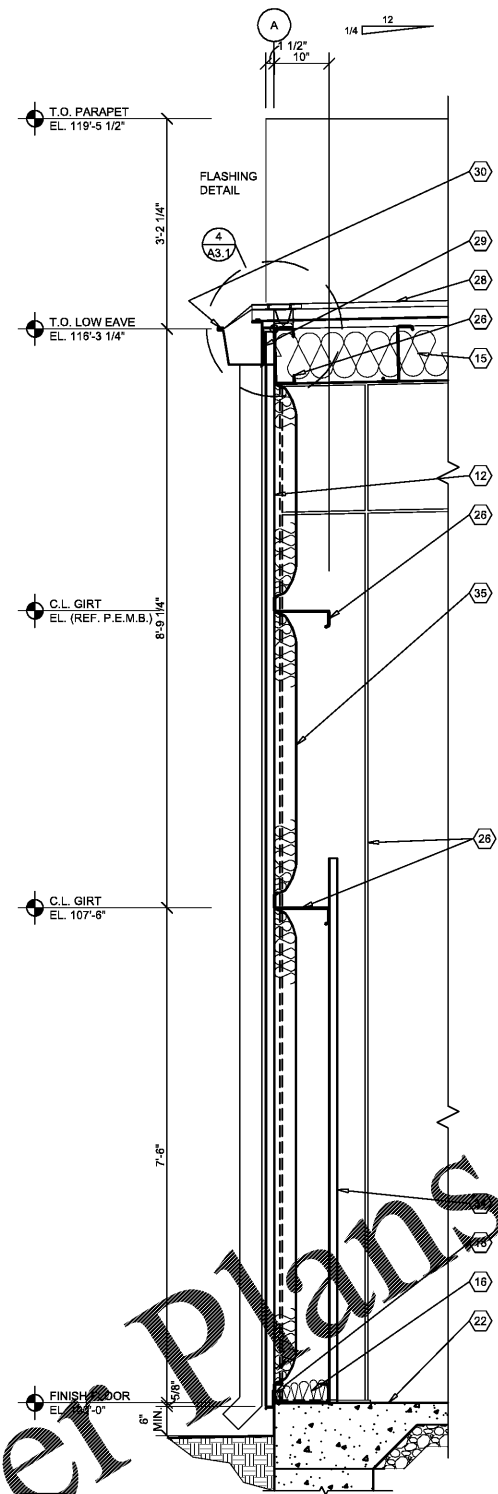
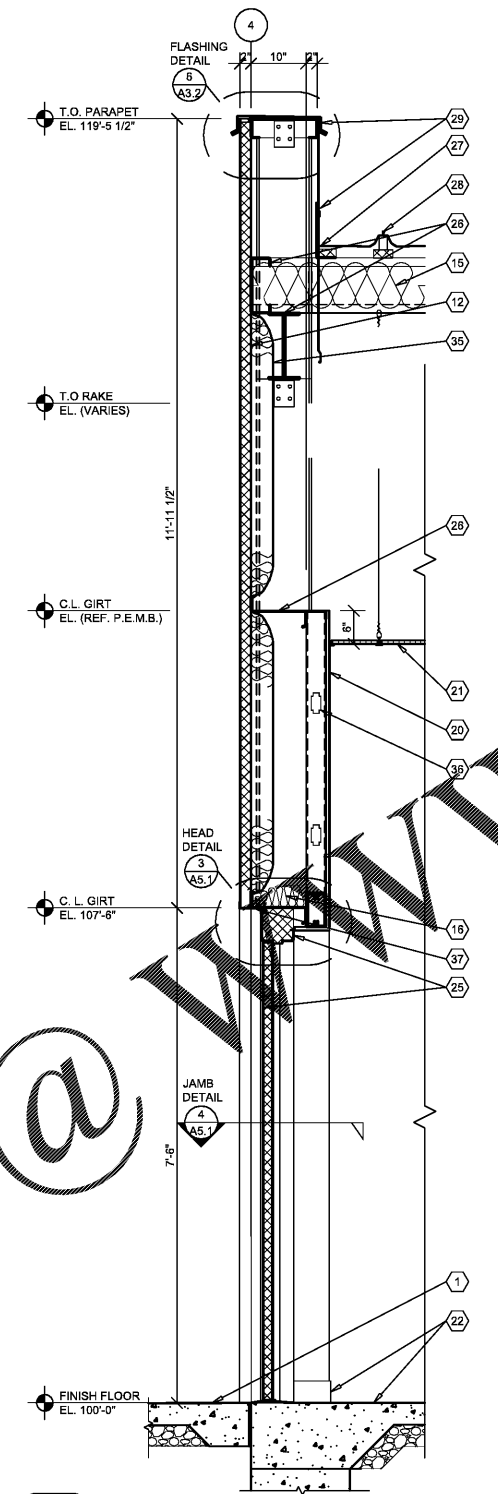


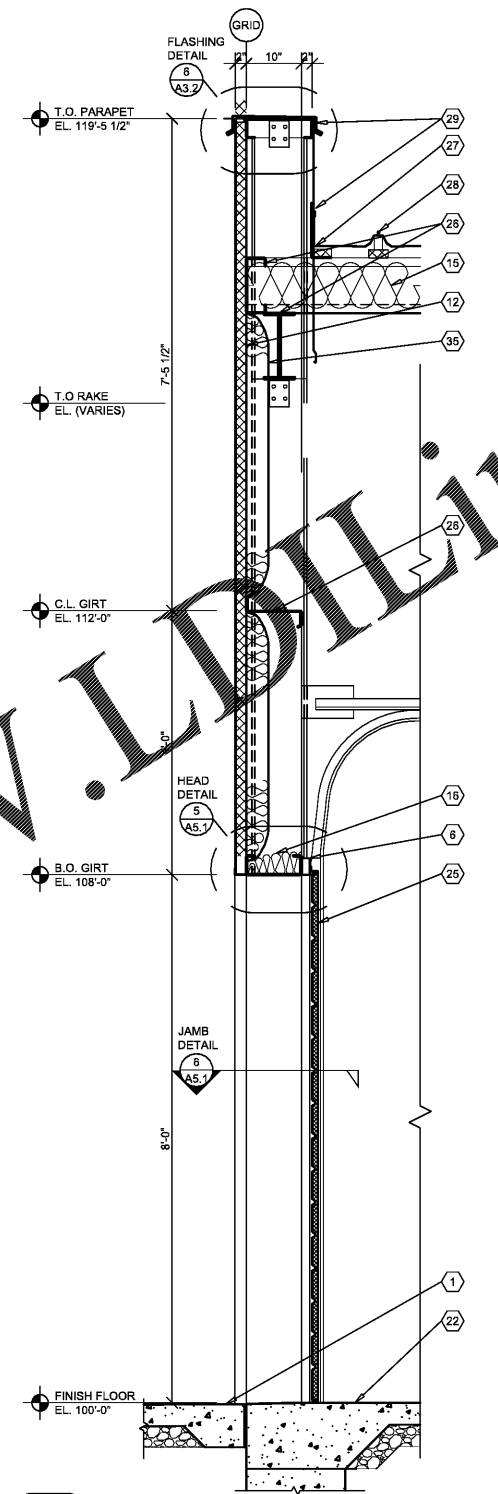
1 WALL SECTION
A3.2 SCALE: 3/4" = 1'-0"



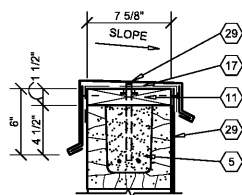
2 WALL SECTION
A3.2 SCALE: 3/4" = 1'-0"



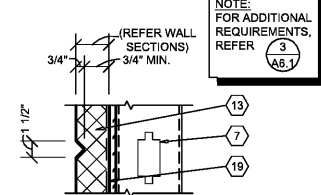
3 WALL SECTION
A3.2 SCALE: 3/4" = 1'-0"



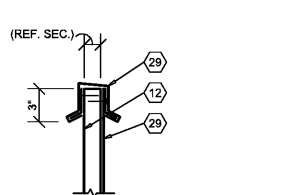
4 WALL SECTION
A3.2 SCALE: 3/4" = 1'-0"



5 SECTION
A3.2 SCALE: 1 1/2" = 1'-0"



6 SECTION
A3.2 SCALE: 1 1/2" = 1'-0"



7 SECTION
A3.2 SCALE: 1 1/2" = 1'-0"

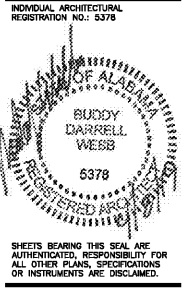
GENERAL NOTES

- (A) REFER TO PROJECT MANUAL AND SCOPE OF WORK SCHEDULE FOR ADDITIONAL REQUIREMENTS.
- (B) REFER TO CIVIL, STRUCTURAL, MECHANICAL, ELECTRICAL, PLUMBING, AND PRE-ENGINEERED METAL BUILDING (P.E.M.B.) SHOP DRAWINGS FOR ADDITIONAL REQUIREMENTS.
- (C) REFER TO INTERIOR AND EXTERIOR FINISH SCHEDULES FOR MATERIAL TYPES, COLORS AND FINISHES.
- (D) DIMENSIONS ARE TO FACE OF CONCRETE, MASONRY, FRAMING, OR CENTER LINE OF STRUCTURE UNLESS OTHERWISE INDICATED.
- (E) REFER TO EXTERIOR ELEVATIONS FOR MASONRY CONTROL JOINT LOCATIONS.

KEY NOTES

- (1) FINISH LAWN, PAVEMENT OR SIDEWALK, SLOPE TO DRAIN AWAY FROM BUILDING. REFER TO CIVIL DRAWINGS.
- (2) CONCRETE FLOOR SLAB. REFER TO STRUCTURAL DRAWINGS.
- (3) SPLIT FACE CONCRETE MASONRY UNIT (CMU) (7 5/8" X 7 5/8" X 15 5/8") IN RUNNING BOND WITH HORIZONTAL REINFORCEMENT AT 16" O.C. REFER TO STRUCTURAL DRAWINGS.
- (4) SMOOTH FACE SINGLE CORE CONCRETE MASONRY UNIT (CMU), (7 5/8" X 7 5/8" X 15 5/8") IN RUNNING BOND WITH HORIZONTAL REINFORCEMENT AT 16" O.C. REFER TO STRUCTURAL DRAWINGS.
- (5) CONCRETE MASONRY UNIT (CMU) BOND BEAM, REFER TO STRUCTURAL DRAWING FOR REINFORCEMENT REQUIREMENTS.
- (6) COLD FORM METAL FRAMING, REFER TO STRUCTURAL DRAWINGS.
- (7) COLD FORM METAL FRAMING, REFER TO STRUCTURAL DRAWINGS.
- (8) COLD FORM METAL STUD FRAMING AT 24" O.C. ATTACHED TO PRE-ENGINEERED METAL BUILDING STRUCTURAL FRAMING SYSTEM.
- (9) COLD FORM METAL STUD FRAMING CLIP, REFER TO STRUCTURAL DRAWINGS.
- (10) 1 1/2" (25 GA.) COLD FORM METAL Z-FURRING FRAMING AT 24" O.C. AND POLYISOCYANURATE (R-9 MIN.) RIGID INSULATION BOARD WITH FOIL FACE VAPOR BARRIER.
- (11) FIRE TREATED 2X NAILER(S) CONTINUOUS. CUT TO FIT WALL WIDTH. ATTACHED TO METAL STUD FRAMING WITH #12 SCREWS AT 24" O.C. STAGGERED. ATTACHED TO CMU BOND BEAM WITH 1/2" DIA. ANCHORS AT 32" O.C.
- (12) PRE-ENGINEERED METAL BUILDING EXTERIOR WALL PANEL SYSTEM.
- (13) EXTERIOR INSULATION FINISH SYSTEM (EIFS) OVER RIGID INSULATION DRAINAGE BOARD IN THICKNESS INDICATED.
- (14) EXTERIOR INSULATION FINISH SYSTEM (EIFS) DRIP.
- (15) PRE-ENGINEERED METAL BUILDING ROOF INSULATION (R-36) LINER SYSTEM, (REFER TO SCOPE OF WORK SCHEDULE). VAPOR BARRIER OVER HIGH STRENGTH STEEL SUSPENSION STRAPS ATTACHED TO BOTTOM OF PRE-ENGINEERED METAL BUILDING ROOF PURLINS WITH (1) LAYER 8" (R-25) UN-FACED BATT INSULATION PARALLEL WITH ROOF PURLIN CAVITY AND (1) LAYER 3 1/2" (R-11) UN-FACED BATT INSULATION PERPENDICULAR OVER TOP OF ROOF PURLINS.
- (16) BATT INSULATION (R-13) WITH FOIL FACE VAPOR BARRIER (CONTRACTOR FURNISHED AND INSTALLED).
- (17) FLEXIBLE FLASHING CONTINUOUS TO LAP OVER NAILERS AND DOWN BEHIND CONTINUOUS CLEATS ON BOTH SIDES. LAP JOINTS 8" MINIMUM AND MASTIC.
- (18) PRE-ENGINEERED METAL BUILDING BASE ANGLE OR GIRT WITH PANEL CLOSURE AND SEALANT SYSTEM.
- (19) 5/8" EXTERIOR FIBERGLASS REINFORCED SHEATHING WITH CONTINUOUS WEATHER BARRIER. REFER TO STRUCTURAL DRAWINGS FOR ATTACHMENT REQUIREMENTS.
- (20) 5/8" TYPE "X" GYPSUM BOARD. REFER TO INTERIOR WALL TYPES.
- (21) SUSPENDED ACOUSTICAL LAY - IN CEILING SYSTEM. REFER TO INTERIOR FINISH SCHEDULE FOR TYPES AND LOCATIONS.
- (22) FLOORING AND BASE. REFER TO INTERIOR FINISH SCHEDULE.
- (23) SEALANT WITH BACKER ROD (WHERE REQUIRED) TYPICAL AT OPENING PERIMETER JOINTS.
- (24) ALUMINUM WINDOW SYSTEM. REFER TO FLOOR PLAN AND WINDOW SCHEDULES FOR TYPES.
- (25) DOOR AND FRAME SYSTEM. REFER TO FLOOR PLAN AND SCHEDULES.
- (26) PRE-ENGINEERED METAL BUILDING PRIMARY AND SECONDARY STRUCTURAL FRAMING SYSTEMS.
- (27) PRE-ENGINEERED METAL BUILDING TRANSITION SUPPORT PLATE ASSEMBLY.
- (28) PRE-ENGINEERED METAL BUILDING ROOF PANEL SYSTEM WITH THERMAL SPACER BLOCKS (R-5 MIN.).
- (29) PRE-ENGINEERED METAL BUILDING SHEET METAL FLASHING, COUNTER - FLASHING, CONTINUOUS CLEATS, DRIPS CLOSURES, TRANSITIONS, COPINGS AND ACCESSORIES AS REQUIRED.
- (30) PRE-ENGINEERED METAL BUILDING GUTTER AND DOWNSPOUT SYSTEM. REFER TO EXTERIOR ELEVATIONS FOR LOCATIONS. REFER TO P.E.M.B. SHOP DRAWINGS FOR SIZES.
- (31) SURFACE MOUNTED WALL SIGN, OWNER FURNISHED AND INSTALLED. (REFER TO SCOPE OF WORK SCHEDULE). PROVIDE BACKING AND ELECTRICAL ROUGH-IN. REFER TO ELECTRICAL DRAWINGS.
- (32) RECESSED LIGHTING FIXTURE. REFER TO ELECTRICAL DRAWINGS FOR TYPE AND LOCATION.
- (33) 1 1/4" (20 GAGE) DOUBLE LEG COLD FORM METAL RESILIENT CHANNEL FRAMING AT 24" O.C. HORIZONTAL.
- (34) PRE-ENGINEERED METAL BUILDING INTERIOR WALL LINER PANEL.
- (35) PRE-ENGINEERED METAL BUILDING WALL INSULATION (R-13) WITH VAPOR BARRIER SYSTEM. (REFER TO SCOPE OF WORK SCHEDULE).
- (36) 3 5/8" (20 GA.) COLD FORM METAL STUD FRAMING AT 24" O.C., REFER TO FLOOR PLAN AND INTERIOR WALL TYPES.
- (37) PRE-ENGINEERED METAL BUILDING SOFFIT PANEL SYSTEM OR FIELD FABRICATED SHEET METAL CLADDING SYSTEM TO MATCH FRONT EXTERIOR WALL PANELS. REFER TO P.E.M.B. DRAWINGS.
- (38) PRE-FABRICATED ALUMINUM ROOF ACCESS LADDER SYSTEM (PAINT). PROVIDE SECURITY PANEL WITH SIDE GUARDS. LADDER TO COMPLY WITH "OSHA" AND "ANSI" REQUIREMENTS. ALL CONNECTIONS TO BE FACTORY WELDED AND FIELD ANCHORED TO WALL AND CONCRETE SLAB CONSTRUCTION PER MANUFACTURER'S RECOMMENDATIONS. TREADS 12" O.C. MAX. WITH 300 LBS MINIMUM DESIGN LOAD. LADDER TO BE 1-8" MINIMUM CLEAR WITH BETWEEN VERTICAL SIDE RAILS. PROVIDE 7" MINIMUM CLEARANCE BETWEEN INSIDE FACE OF LADDER AND EXTERIOR WALL ASSEMBLY. SUBMIT SHOP DRAWINGS FOR REVIEW AND APPROVAL.

NOTE:
REFER TO STRUCTURAL DRAWINGS FOR FOOTINGS, FOUNDATIONS, SLABS AND REINFORCEMENT.



Reilly AUTO PARTS
CORPORATE OFFICES
233 SOUTH PATTERSON
SPRINGFIELD, MISSOURI 65802
(417) 862-2674 TELEPHONE

PROJECT:
NEW O'REILLY AUTO PARTS STORE
U.S. HWY 84 & N. BROADWAY
ASHFORD, AL

WALL SECTIONS

Buddy Webb, NCARB, AIA
Architect - Consultant
3057 EAST CAIRO
SPRINGFIELD, MISSOURI 65802
(417) 877-1365 TELEPHONE
(417) 877-9736 FAX

DRAWN BY: **CG** CHECKED BY: **SB**
DATE: **04/02/19**
REVISION:
PROJECT NUMBER: **AHF**
SHEET NUMBER

A3.2