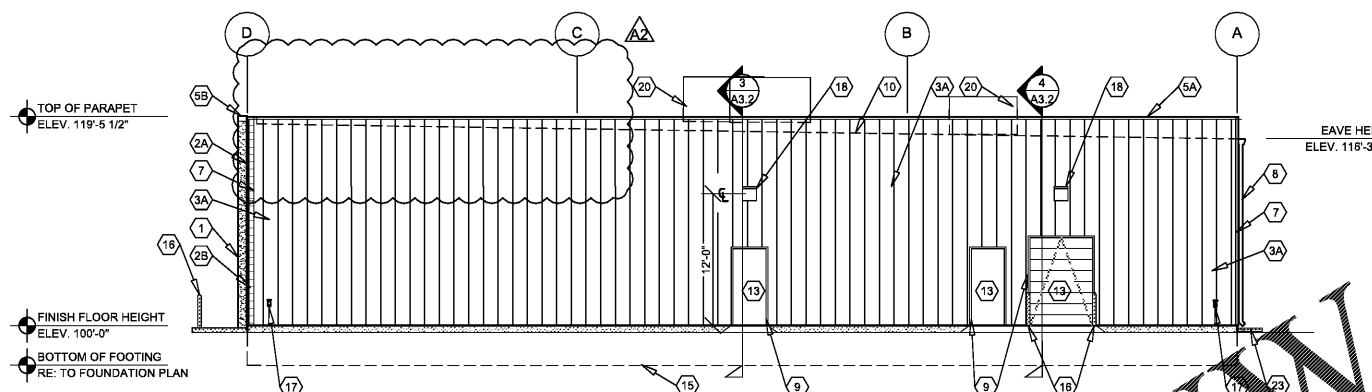
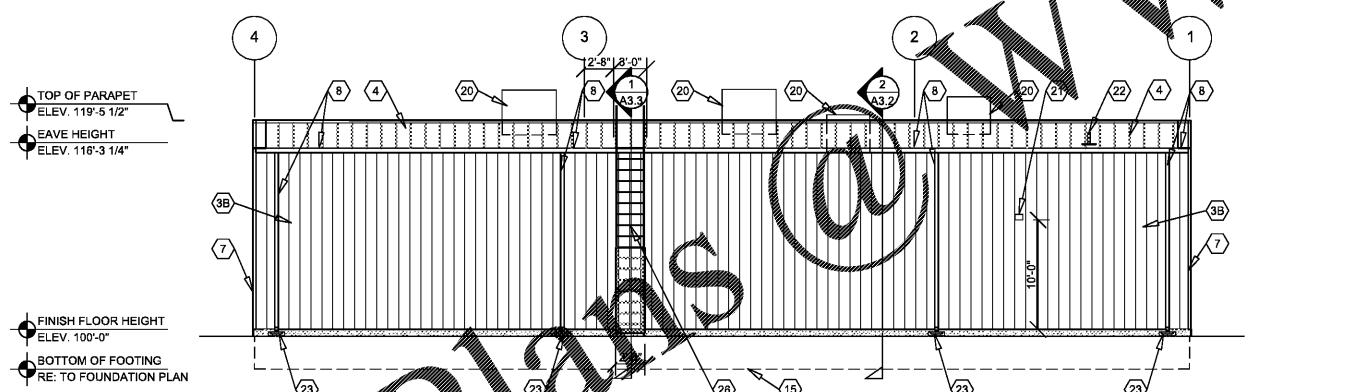


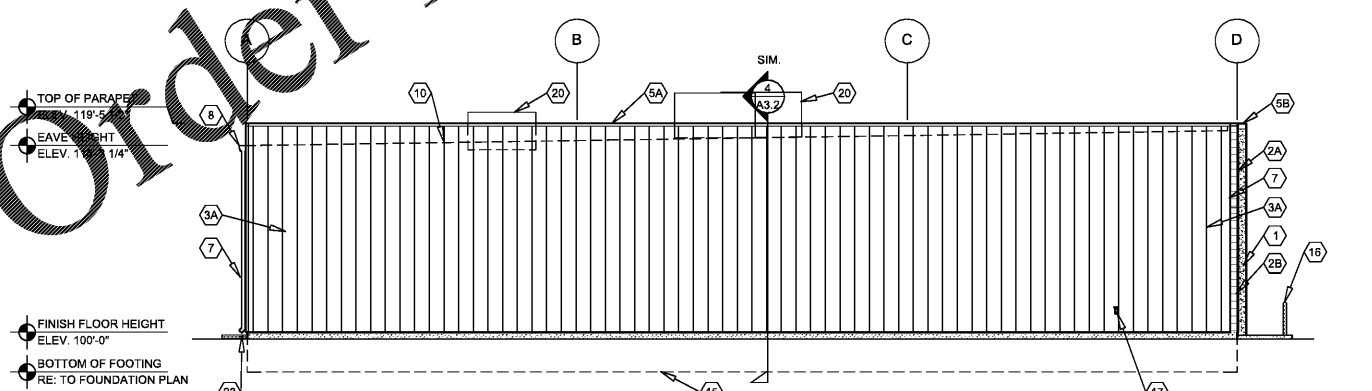
1 FRONT EXTERIOR ELEVATION
A2.1 SCALE: 1/8" = 1'-0"



2 RIGHT EXTERIOR ELEVATION
A2.1 SCALE: 1/8" = 1'-0"



3 REAR EXTERIOR ELEVATION
A2.1 SCALE: 1/8" = 1'-0"



4 LEFT EXTERIOR ELEVATION
A2.1 SCALE: 1/8" = 1'-0"

EXTERIOR FINISH SCHEDULE

EXTERIOR INSULATION AND FINISH SYSTEM (EIFS)
KEY NOTE NO. 1:
 MFG: DRYVIT SPECIFIED, EQUAL BY STO OR BASF (NO SUBSTITUTES)
 SERIES: OUTSULATION PLUS MD
 TEXTURE: SANDBLAST
 COLOR: DRYVIT "ORAP011030S" STRATOTONE HIGH PERFORMANCE
 COLOR STANDARD: SHERWIN WILLIAMS "POSITIVE RED" SW6871 (SHER-CRYL) GLOSS

UNIT MASONRY
KEY NOTE NO. 2A:
 TYPE: CONCRETE MASONRY UNIT (CMU)
 MFG: (REFER TO PROJECT MANUAL)
 SIZE: 8"X8"X16" (NOM)
 TEXTURE: SMOOTH FACE SINGLE SCORE
 COURSING: RUNNING BOND
 FINISH: FIELD PAINT (ACCENT COLOR)
 COLOR: SHERWIN WILLIAMS "SOFTER TAN" SW6141 (SEMI-GLOSS)
COATS:
 (1) COAT SW "PREPRITE" BLOCK FILLER B25W25 (NO LESS THAN 8 MILS) AND (2) COATS SW "CONFLX XL" SMOOTH ELASTOMERIC A5-400 (NO LESS THAN 5.7 MILS EACH COAT)

COATS (COLD WEATHER APPLICATIONS):
 (1) COAT SW "LOXON BLOCK SURFACER" (NO LESS THAN 8 MILS) AND (2) COATS SW "ULTRACRETE" SOLVENT BORNE SMOOTH B46 (NO LESS THAN 8 MILS EACH COAT OR 16 MILS TOTAL)

KEY NOTE NO. 2B:
 TYPE: CONCRETE MASONRY UNIT (CMU)
 MFG: (REFER TO PROJECT MANUAL)
 SIZE: 8"X8"X16" (NOM)
 TEXTURE: SPLIT FACE
 COURSING: RUNNING BOND
 FINISH: FIELD PAINT (FIELD COLOR)
 COLOR: SHERWIN WILLIAMS "LITTE" SW6141 (SEMI-GLOSS)
COATS:
 (1) COAT SW "PREPRITE" BLOCK FILLER B25W25 (NO LESS THAN 8 MILS) AND (2) COATS SW "CONFLX XL" SMOOTH ELASTOMERIC A5-400 (NO LESS THAN 5.7 MILS EACH COAT)

COATS (COLD WEATHER APPLICATIONS):
 (1) COAT SW "LOXON BLOCK SURFACER" (NO LESS THAN 8 MILS) AND (2) COATS SW "ULTRACRETE" SOLVENT BORNE SMOOTH B46 (NO LESS THAN 8 MILS EACH COAT OR 16 MILS TOTAL)

PRE-ENGINEERED METAL BUILDING WALL PANEL SYSTEMS
KEY NOTE NO. 3A:
 TYPE: EXTERIOR WALL PANEL
 MFG: (REFER TO PRE-ENGINEERED METAL BUILDING SHOP DRAWINGS)
 SIZE: EQUAL TO BUTLER BUILDING "STYLWALL"
 FINISH: PREFINISHED
 COLOR: EQUAL TO BUTLER BUILDING "COOL BIRCH WHITE"

KEY NOTE NO. 3B:
 TYPE: EXTERIOR WALL PANEL
 MFG: (REFER TO PRE-ENGINEERED METAL BUILDING SHOP DRAWINGS)
 SIZE: EQUAL TO BUTLER BUILDING "SHADOWWALL"
 FINISH: PREFINISHED
 COLOR: EQUAL TO BUTLER BUILDING "COOL BIRCH WHITE"

KEY NOTE NO. 3C:
 (REMOVED)

FLASHING AND SHEET METAL
KEY NOTE NO. 4:
 TYPE: STANDING SEAM ROOFING SYSTEM
 MFG: (REFER TO PRE-ENGINEERED METAL BUILDING SHOP DRAWINGS)
 COLOR: GALVALUME

KEY NOTE NO. 5A:
 TYPE: CAP FLASHING AT WALL PANELS
 MFG: (REFER TO PRE-ENGINEERED METAL BUILDING SHOP DRAWINGS)
 FINISH: PREFINISHED
 COLOR: EQUAL TO BUTLER BUILDING "COOL BIRCH WHITE"

KEY NOTE NO. 5B:
 TYPE: CAP FLASHING AT EXTERIOR INSULATION FINISH SYSTEM (EIFS)
 MFG: (REFER TO PRE-ENGINEERED METAL BUILDING SHOP DRAWINGS)
 FINISH: FACTORY PRIMED AND FIELD PAINT
 COLOR: SHERWIN WILLIAMS "POSITIVE RED" SW6871 (SHER-CRYL) GLOSS WITH SHERWIN WILLIAMS "THREE COMPONENT" (B5S105 / B5SV105 / B5SC105) CLEAR URETHANE

KEY NOTE NO. 5C:
 TYPE: CAP FLASHING AT MASONRY
 MFG: (REFER TO PRE-ENGINEERED METAL BUILDING SHOP DRAWINGS)
 FINISH: PREFINISHED
 COLOR: EQUAL TO BUTLER BUILDING "COOL BIRCH WHITE"

KEY NOTE NO. 5D:
 (REMOVED)

KEY NOTE NO. 7:
 TYPE: WALL PANEL TRIM
 MFG: (REFER TO PRE-ENGINEERED METAL BUILDING SHOP DRAWINGS)
 FINISH: PREFINISHED
 COLOR: EQUAL TO BUTLER BUILDING "COOL BIRCH WHITE"

KEY NOTE NO. 8:
 TYPE: GUTTER AND DOWNSPOUTS
 MFG: (REFER TO PRE-ENGINEERED METAL BUILDING SHOP DRAWINGS)
 FINISH: PREFINISHED
 COLOR: EQUAL TO BUTLER BUILDING "COOL BIRCH WHITE"

KEY NOTE NO. 9:
 TYPE: DOOR TRIM
 MFG: (REFER TO PRE-ENGINEERED METAL BUILDING SHOP DRAWINGS)
 FINISH: PREFINISHED
 COLOR: EQUAL TO BUTLER BUILDING "COOL BIRCH WHITE"

DOORS AND WINDOWS
KEY NOTE NO. 13:
 MFG: (OWNER FURNISHED / CONTRACTOR INSTALLED)
 FINISH: FACTORY PREFINISHED
 COLOR: SHERWIN WILLIAMS "SOFTER TAN" SW6141 (SEMI-GLOSS)

KEY NOTE NO. 13:
 TYPE: SECTIONAL OVERHEAD DOOR (DOOR NO. 3)
 MFG: (REFER PROJECT MANUAL)
 FINISH: FACTORY PRIMED AND FIELD PAINT
 COLOR: SHERWIN WILLIAMS "SOFTER TAN" SW6141 (SEMI-GLOSS)

EXTERIOR FINISH SCHEDULE (CONTINUED)

KEY NOTE NO. 14:
 TYPE: (REFER TO WINDOW SCHEDULE)
 MFG: EFCO, KAWNEER, OR OLD CASTLE (VISTA WALL). (NO SUBSTITUTES)
 FINISH: PREFINISHED
 COLOR: EFCO "IVY", KAWNEER "DARK IVY", VISTA WALL "INTERSTATE GREEN"

PAINTING
KEY NOTE NO. 16:
 TYPE: STEEL BOLLARDS (REFER TO CIVIL DRAWINGS)
 FINISH: FIELD PRIME AND PAINT
 COLOR: SHERWIN WILLIAMS "HUNT CLUB" SW6468 (SEMI-GLOSS)

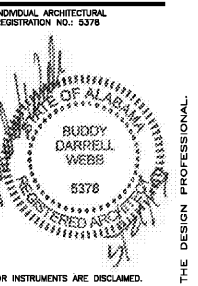
KEY NOTE NO. 27:
 TYPE: ROOF ACCESS LADDER
 FINISH: POWDER COATED
 COLOR: SHERWIN WILLIAMS "SOFTER TAN" SW6141 (SEMI-GLOSS)

GENERAL NOTES

- A REFER TO PROJECT MANUAL FOR ADDITIONAL REQUIREMENTS.
- B REFER TO CIVIL DRAWINGS FOR ADDITIONAL REQUIREMENTS.
- C REFER TO PLUMBING, MECHANICAL, AND ELECTRICAL DRAWINGS FOR SYSTEM TYPES AND ADDITIONAL REQUIREMENTS.
- D REFER TO EXTERIOR FINISH SCHEDULE FOR MATERIAL TYPES.
- E REFER TO PRE-ENGINEERED METAL BUILDING SHOP DRAWINGS FOR ADDITIONAL REQUIREMENTS.
- F REFER TO SCOPE OF WORK SCHEDULE FOR ADDITIONAL REQUIREMENTS.

KEY NOTES

- 1 EXTERIOR INSULATION AND FINISH SYSTEM (EIFS).
- 2A CONCRETE MASONRY UNIT (CMU) EXTERIOR WALL CONSTRUCTION (ACCENT COLOR). REFER TO PLANS, SECTIONS, AND DETAILS FOR ADDITIONAL REQUIREMENTS.
- 2B CONCRETE MASONRY UNIT (CMU) EXTERIOR WALL CONSTRUCTION (FIELD COLOR). REFER TO PLANS, SECTIONS, AND DETAILS FOR ADDITIONAL REQUIREMENTS.
- 3A PRE-ENGINEERED METAL BUILDING EXTERIOR WALL PANEL SYSTEM.
- 3B PRE-ENGINEERED METAL BUILDING EXTERIOR WALL PANEL SYSTEM.
- 3C (NOT USED)
- 4 PRE-ENGINEERED METAL BUILDING SHEET METAL ROOFING SYSTEM.
- 5A PRE-ENGINEERED METAL BUILDING SHEET METAL FLASHING WITH 3" VERTICAL FACE AT WALL PANELS.
- 5B PRE-ENGINEERED METAL BUILDING SHEET METAL FLASHING AT EIFS.
- 5C PRE-ENGINEERED METAL BUILDING SHEET METAL FLASHING (AT MASONRY).
- 5D (NOT USED)
- 6 RUSTICATION JOINT, REFER TO DETAIL 6/A.3.2.
- 7 PRE-ENGINEERED METAL BUILDING SHEET METAL WALL PANEL TRIM.
- 8 PRE-ENGINEERED METAL BUILDING SHEET METAL GUTTER AND DOWNSPOUT SYSTEM.
- 9 PRE-ENGINEERED METAL BUILDING SHEET METAL DOOR TRIM.
- 10 LINE OF ROOF BEYOND WITH 1/4":12" SLOPE MINIMUM
- 11 SURFACE MOUNTED SIGN OWNER FURNISHED AND INSTALLED. PROVIDE BACKING FOR MOUNTING AND ROUGH-IN ELECTRICAL. COORDINATE REQUIREMENTS WITH OWNER. REFER TO SHEET SG2.1.
- 12 BUILDING ADDRESS NUMBERS IN 6" HIGH HELVETICA WHITE VINYL ADHERED TO EXTERIOR FACE OF GLAZING.
- 13 EXTERIOR DOOR AND FRAME SYSTEM. REFER TO FLOOR PLAN AND DOOR SCHEDULE FOR TYPES.
- 14 EXTERIOR WINDOW SYSTEM. REFER TO FLOOR PLAN AND WINDOW SCHEDULE FOR TYPES.
- 15 APPROXIMATE LINE OF FOUNDATION, REFER TO STRUCTURAL DRAWINGS.
- 16 STEEL BOLLARDS, REFER TO CIVIL AND STRUCTURAL DRAWINGS.
- 17 HOSE BIB, REFER TO PLUMBING DRAWINGS.
- 18 LIGHT FIXTURE, REFER TO ELECTRICAL DRAWINGS.
- 19 (NOT USED).
- 20 MECHANICAL ROOF TOP UNIT, REFER TO MECHANICAL DRAWINGS.
- 21 MECHANICAL WALL PENETRATIONS, REFER TO MECHANICAL DRAWINGS. PROVIDE FRAMING, FLASHING, AND SEALANT AS REQUIRED.
- 22 PLUMBING ROOF VENT, REFER TO PLUMBING DRAWINGS AND DETAIL 11/A.2.
- 23 CONCRETE SPLASH BLOCK INSTALLED AT EACH DOWNSPOUT.
- 24 (NOT USED).
- 25 (NOT USED).
- 26 ROOF ACCESS LADDER, REFER TO EXTERIOR FINISH SCHEDULE.



O'Reilly AUTO PARTS
 CORPORATE OFFICES
 233 SOUTH PATTERSON
 SPRINGFIELD, MISSOURI 65802
 (417) 862-2674 TELEPHONE

PROJECT:
 NEW O'REILLY AUTO PARTS STORE
 U.S. HWY 84 & N. BROADWAY
 ASHFORD, AL
EXTERIOR ELEVATIONS

Buddy Webb, NCARB, AIA
Architect - Consultant
 3057 EAST CAIRO
 SPRINGFIELD, MISSOURI 65802
 (417) 877-1365 TELEPHONE
 (417) 877-9736 FAX

DRAWN BY: CG
CHECKED BY: SB
DATE: 04/02/19
REVISION: 05/21/19
PROJECT NUMBER: AHF
SHEET NUMBER:

A2.1

Order Plans @ WWW.LDOnline.com

© COPYRIGHT 2019 I DESIGNS. DRAWINGS AND SPECIFICATIONS ARE INSTRUMENTS OF SERVICE AND ARE THE PROPERTY OF THE DESIGN PROFESSIONAL. REPRODUCTION PROHIBITED WITHOUT THE EXPRESSED WRITTEN CONSENT OF THE DESIGN PROFESSIONAL.