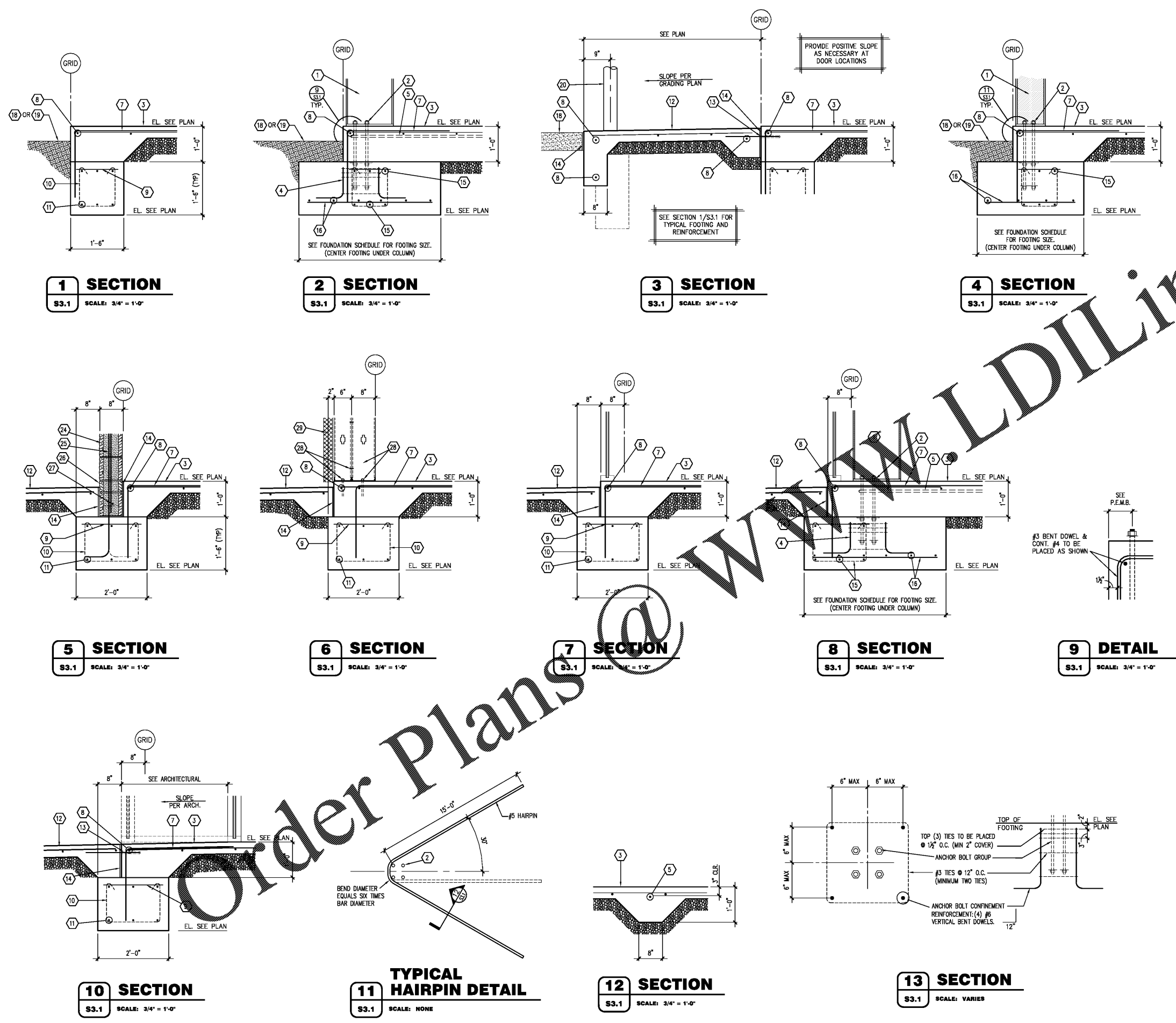


KEYNOTES

- 1 PRE-ENGINEERED METAL BUILDING STRUCTURAL SYSTEM. SEE P.E.M.B. SHOP DRAWINGS FOR ADDITIONAL INFORMATION.
- 2 ANCHOR BOLTS. SEE FOUNDATION DETAILS AND PRE-ENGINEERED METAL BUILDING DRAWINGS FOR SIZE, QUANTITY AND PLAN LOCATION. SEE 1/S3.2 FOR TYPICAL SHOP FABRICATED ANCHOR ASSEMBLY.
- 3 INTERIOR CONCRETE SLAB SEE FOUNDATION PLAN.
- 4 SEE DETAIL 12/S3.1 FOR VERTICAL ANCHOR BOLT CONFINEMENT REINFORCEMENT
- 5 SLAB HAIRPIN - SEE DETAIL 9/S3.1
- 6 SEE FOUNDATION SCHEDULE FOR PILASTER REINFORCEMENT.
- 7 #3x5'-0" DOWEL @ 36" O.C. FIELD BEND AS SHOWN 24"
- 8 #4 CONTINUOUS (PROVIDE BENT BARS AT SLAB CORNERS)
- 9 #3 DOWELS @ 48" O.C.
- 10 #3 STIRRUPS @ 48" O.C.
- 11 (3) #4'S CONTINUOUS TOP & BOTTOM.
- 12 EXTERIOR CONCRETE SLAB OR SLOPE WALK-SEE FOUNDATION PLAN.
- 13 AT EXTERIOR DOOR LOCATIONS DRILL 6" DEEP HOLES FOR #4x1'-6" DOWELS @ 24" O.C. AND ADHERE IN PLACE. SEE ADHESIVE ANCHOR SYSTEM NOTES SHEET S1.1 FOR INSTALLATION.
- 14 2" ISOLATION WITH ASPHALTIC FILLER & SEALANT
- 15 CONTINUOUS FOOTING REINFORCEMENT TO RUN THROUGH COLUMN FOUNDATIONS. SEE SECTION 1/S3.1 FOR REINFORCEMENT INFORMATION.
- 16 COLUMN FOOTING REINFORCEMENT-SEE FOUNDATION SCHEDULE.
- 17 CONTINUOUS FOOTING BEYOND
- 18 PAVING, SEE SITE DEVELOPMENT DRAWINGS FOR ADDITIONAL INFORMATION.
- 19 SEE GRADING PLAN FOR FINISHED GRADES.
- 20 STEEL BOLLARD SEE SITE PLAN.
- 21 #4 CORNER REINFORCEMENT CENTERED IN SLAB. 36" ^{36"}
- 22 (3) #3 TIES @ 12" O.C.
- 23 #3 TIES @ 12" O.C.
- 24 8" (NOM) SPLIT FACE OR SMOOTH FACE CMU. REFER TO CMU WALL NOTES ON SHEET S1 FOR WALL VERTICAL AND HORIZONTAL REINFORCEMENT.
- 25 HOOKED DOWEL PROJECTING INTO MASONRY WALL. MATCH SIZE AND SPACING OF WALL REINFORCEMENT, SEE STRUCTURAL NOTES SHEET S1.
- 26 4" TALL SPLIT FACE OR SMOOTH FACE CMU.
- 27 FIRST COURSE TO BE CONTINUOUS 8" (NOM) SPLIT FACE OR SMOOTH FACE BOND BEAM W/ (1) #5 CONTINUOUS
- 28 SEE CORRELATING STRUCTURAL FRAMING SECTION FOR METAL STUD SIZE, GAUGE, SPACING, AND ATTACHMENT REQUIREMENTS. REFER TO ARCHITECTURAL FOR FINISHES AND ADDITIONAL REQUIREMENTS. PROVIDE 1/2" ANCHOR BOLTS @ 48" O.C. AND WITHIN 6" OF ENDS OF WALLS (7" EMBEDMENT & 2" HOOK)
- 29 WALL FINISH, SEE ARCHITECTURAL



1 SECTION
S3.1 SCALE: 3/4" = 1'-0"

2 SECTION
S3.1 SCALE: 3/4" = 1'-0"

3 SECTION
S3.1 SCALE: 3/4" = 1'-0"

4 SECTION
S3.1 SCALE: 3/4" = 1'-0"

5 SECTION
S3.1 SCALE: 3/4" = 1'-0"

6 SECTION
S3.1 SCALE: 3/4" = 1'-0"

7 SECTION
S3.1 SCALE: 3/4" = 1'-0"

8 SECTION
S3.1 SCALE: 3/4" = 1'-0"

9 DETAIL
S3.1 SCALE: 3/4" = 1'-0"

10 SECTION
S3.1 SCALE: 3/4" = 1'-0"

11 TYPICAL HAIRPIN DETAIL
S3.1 SCALE: NONE

12 SECTION
S3.1 SCALE: 3/4" = 1'-0"

13 SECTION
S3.1 SCALE: VARIES



SHEETS BEARING THIS SEAL ARE AUTHENTICATED. RESPONSIBILITY FOR ALL OTHER PLANS, SPECIFICATIONS OR INSTRUMENTS ARE DISCLAIMED.

O'Reilly AUTO PARTS
CORPORATE OFFICES
233 SOUTH PATTERSON
SPRINGFIELD, MISSOURI 65802
(417) 862-2674 TELEPHONE

PROJECT: NEW O'REILLY AUTO PARTS STORE
U.S. HWY 84 & N. BROADWAY
ASHFORD, AL
FOUNDATION DETAILS

JS Smith Consulting Engineers
Alabama State Certificate of Authorization CA-2283-E
Aaron D. Smith P.E. 24301
1801 W 32nd St. Bldg # 104 - JOPLIN, MISSOURI 64804
O. Box 913 JOPLIN, MISSOURI 64802
PHONE: 417-624-0444 FAX: 417-624-0636



DRAWN BY: **MW** CHECKED BY: **AS**
DATE: **04/02/19**
REVISION:

PROJECT NUMBER:
AHF

SHEET NUMBER
S3.1

DESIGNS, DRAWINGS AND SPECIFICATIONS ARE INSTRUMENTS OF SERVICE AND ARE THE PROPERTY OF THE DESIGN PROFESSIONAL. REPRODUCTION PROHIBITED WITHOUT THE EXPRESSED WRITTEN CONSENT OF THE DESIGN PROFESSIONAL. COPYRIGHT 2019