



SHEETS BEARING THIS SEAL ARE AUTHORIZED. RESPONSIBILITY FOR ALL OTHER PLANS, SPECIFICATIONS OR INSTRUMENTS ARE DISCLAIMED.

O'Reilly AUTO PARTS
 CORPORATE OFFICES
 233 SOUTH PATTERSON
 SPRINGFIELD, MISSOURI 65802
 (417) 862-2674 TELEPHONE

PROJECT:
 NEW O'REILLY AUTO PARTS STORE
 U.S. HWY 84 & N. BROADWAY
 ASHFORD, AL

SITE SIGNAGE DETAILS

JS Smith Consulting Engineers
 Alabama State Certificate of Authorization CA-2285-E
 Aaron D. Smith P.E. 24301
 1801 W 32nd St. Bldg B Ste 105
 JOPLIN, MISSOURI 64804
 PHONE: 417-824-9444 * FAX: 417-824-0430



DRAWN BY: **MW** CHECKED BY: **AS**
 DATE: **04/02/19**
 REVISION:

PROJECT NUMBER:
AHF

SHEET NUMBER

S1.2

COPYRIGHT 2019 | DESIGNS, DRAWINGS AND SPECIFICATIONS ARE INSTRUMENTS OF SERVICE AND ARE THE PROPERTY OF THE DESIGN PROFESSIONAL. REPRODUCTION PROHIBITED WITHOUT THE EXPRESSED WRITTEN CONSENT OF THE DESIGN PROFESSIONAL.

GENERAL NOTES

- A. REFER TO PROJECT MANUAL FOR ADDITIONAL REQUIREMENTS.
- B. CONTACT OWNER'S OR TENANT'S DESIGNATED PROJECT ADMINISTRATOR FOR QUESTIONS OR CLARIFICATIONS.
- C. SITE SIGN FOUNDATIONS AND ROUGH-IN ELECTRICAL TO BE PROVIDED BY CONTRACTOR.
- D. REQUIRED GOVERNMENTAL PERMITS FOR PERMANENT TYPE SIGNAGE TO BE PROVIDED BY OWNER OR OTHERS (N.I.C.).

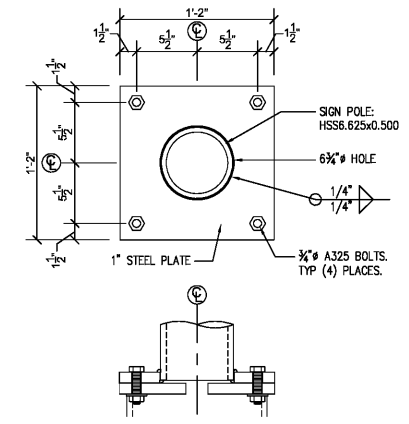
DESIGN CRITERIA

- A. GOVERNING BUILDING CODE
 2012 INTERNATIONAL BUILDING CODE
- B. WIND CRITERIA:
 B.1. RISK CATEGORY II
 B.2. $V_{ult} = 119$ mph
 B.3. $V_{des} = 92.2$ mph
 B.4. EXPOSURE "C"
- C. SEISMIC CRITERIA:
 C.1. SITE CLASS: D
 C.2. SDC = B
 C.3. $S_s = 0.092$
 C.4. $S_1 = 0.058$
 C.5. $S_{DS} = 0.098$
 C.6. $S_{D1} = 0.093$

STRUCTURAL NOTES

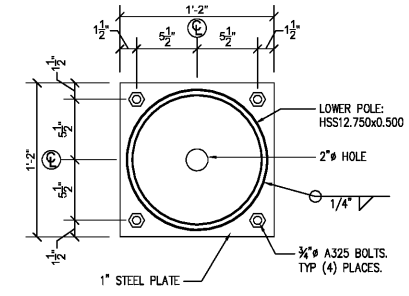
- A. A GEOTECHNICAL ANALYSIS HAS BEEN PERFORMED ON THIS SITE. SEE PROJECT MANUAL FOR GEOTECHNICAL INFORMATION. APPROPRIATE RECOMMENDATIONS STATED IN THE GEOTECHNICAL REPORT ISSUED BY ECS SOUTHEAST, LLP DATED JANUARY 30, 2019 SHALL BE FOLLOWED.
- B. THESE FOUNDATIONS HAVE BEEN DESIGNED FOR A VERTICAL SOIL BEARING OF 2500 psf AND LATERAL BEARING OF 275 psf/ft. (NOTE: LATERAL EARTH PRESSURE INCREASED IN ACCORDANCE WITH DESIGN PROVISIONS FOR ISOLATED POLE FOUNDATIONS SUBJECT TO TRANSIENT LATERAL LOADS.)
- C. ALL READY MIX CONCRETE SHALL BE 4000 psi FOR ALL CONCRETE PLACEMENT. DO NOT ADD WATER TO THE MIX DESIGN AFTER DELIVERY TO THE PROJECT SITE.
- D. EXPOSED EXTERIOR CONCRETE SHALL BE AIR-ENTRAINED (TOTAL AIR CONTENT = 5%).
- E. HOT OR COLD WEATHER CONCRETING SHALL BE IN ACCORDANCE WITH ACI 305-89 AND ACI 306-1-90, RESPECTIVELY.
- F. ANY CONCRETE PLACED BY MEANS OF PUMPING SHALL BE DONE IN ACCORDANCE WITH ACI 304.2R (82).
- G. CEMENT SHALL CONFORM TO A.S.T.M. C-150 TYPE VII.
- H. AGGREGATES SHALL CONFORM TO A.S.T.M. C-33 FOR NORMAL WEIGHT CONCRETE.
- I. READY MIX CONCRETE SHALL BE MIXED AND DELIVERED IN ACCORDANCE WITH A.S.T.M. C-94.
- J. ADMIXTURES MAY BE USED WITH THE APPROVAL OF THE STRUCTURAL ENGINEER. ADMIXTURES USED TO INCREASE THE WORKABILITY OF THE CONCRETE SHALL NOT BE CONSIDERED TO REDUCE THE CEMENT CONTENT. NO CALCIUM CHLORIDE ADMIXTURES ALLOWED.
- K. FABRICATOR QUALIFICATIONS: FABRICATOR MUST PARTICIPATE IN THE AISC QUALITY CONTROL PROGRAM AND BE DESIGNATED AN AISC-CERTIFIED PLANT.
- L. MATERIALS:
 • STRUCTURAL STEEL..... ASTM A992, GRADE 50ksi
 • PLATES, ANGLES, AND MISC STEEL..... ASTM A36ksi
 • ANCHOR RODS..... ASTM F1554, GRADE 36
 • HIGH STRENGTH BOLTS..... ASTM A325
 (OF NORTH AMERICAN MANUFACTURE)
 • WELDING ELECTRODES..... AWS A5.1 (E70XX)
 • PIPE..... ASTM A53, GRADE B
 • ROUND HSS..... ASTM A500, GRADE B, Fy = 42ksi

NOTE:
 VERIFY LOCATION PRIOR TO POURING TO
 ASSURE NO INTERFERENCE WITH ALL UTILITIES



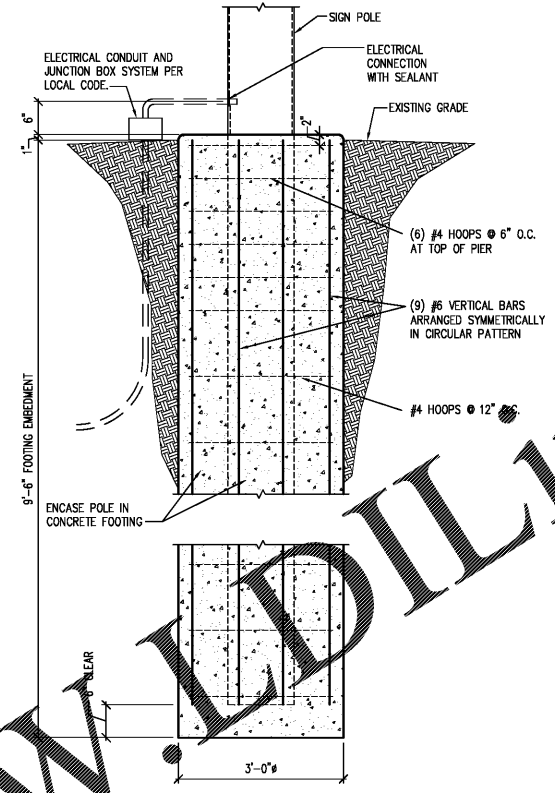
2 SIGN MATCH PLATE

S1.2 SCALE: 1 1/2" = 1'-0"



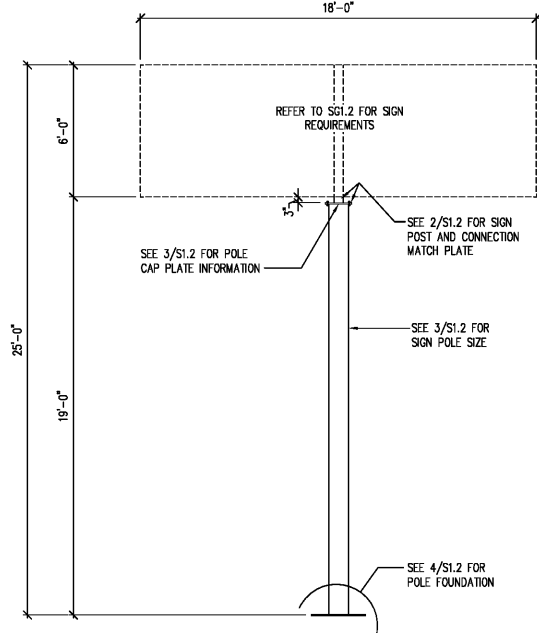
3 POLE CAP PLATE

S1.2 SCALE: 1 1/2" = 1'-0"



4 POLE FOUNDATION SECTION

S1.2 SCALE: 3/4" = 1'-0"



1 GROUND SIGN ELEVATION

S1.2 SCALE: 1/4" = 1'-0" (SEE SITE PLAN FOR LOCATION)

Order Plans @ WWW.LDILLING.COM