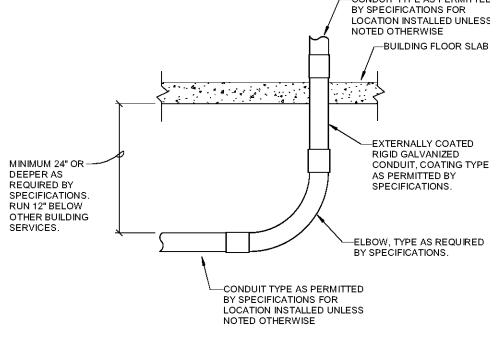


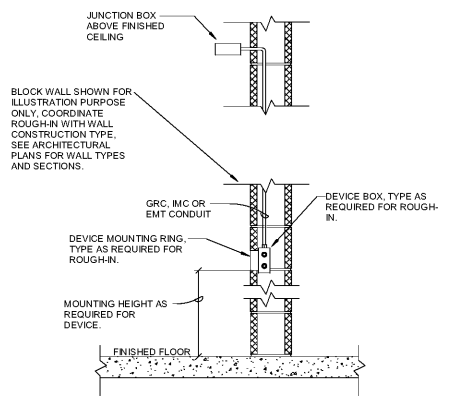
- DETAIL NOTES:**
1. DETAIL TYPICAL FOR ALL DUCT BANKS INSTALLED BELOW CONCRETE PADS OR SLABS UNLESS NOTED OTHERWISE. THE INSTALLATION OF TWO OR MORE CONDUITS OCCUPYING THE SAME TRENCH CONSTITUTES A DUCT BANK.
 2. CONDUITS FOR POWER LIMITED AND LOW VOLTAGE SYSTEMS SUCH AS FIRE ALARM AND COMMUNICATIONS, WHERE PERMITTED TO BE INSTALLED BELOW GRADE BY SPECIFICATIONS, SHALL NOT BE INSTALLED IN DUCT BANKS CONTAINING ELECTRICAL POWER DISTRIBUTION FEEDERS.
 3. EMERGENCY POWER DISTRIBUTION FEEDERS SHALL NOT BE INSTALLED IN DUCT BANKS CONTAINING NORMAL POWER DISTRIBUTION FEEDERS.
 4. FOR DUCT BANKS RUN OUTSIDE OF CONCRETE PADS OR SLABS, PROVIDE CONCRETE ENCASUREMENT PER SPECIFICATIONS.
 5. SEE SPECIFICATIONS FOR ADDITIONAL REQUIREMENTS.
 6. FIELD COORDINATE WINDOWS FOR PENETRATIONS THROUGH UNDER SLAB STRUCTURAL ELEMENTS.
 7. ROUTE CONDUIT DUCT BANK BELOW OTHER UNDER SLAB UTILITIES WHERE POSSIBLE.

G1
E2.00 NTS
CONDUIT DETAIL - DUCT BANK ROUGH-IN

- DETAIL NOTES:**
1. DETAIL TYPICAL FOR ALL CONDUITS INSTALLED BELOW CONCRETE PADS OR SLABS NOT RUN WITHIN DUCT BANKS AND ALL CONDUITS RISING THROUGH CONCRETE PADS OR SLABS UNLESS NOTED OTHERWISE.
 2. CONDUIT SIZE AS INDICATED ON PLANS OR WITHIN SPECIFICATIONS.
 3. SEE SPECIFICATIONS FOR ADDITIONAL REQUIREMENTS.
 4. FIELD COORDINATE WINDOWS FOR PENETRATIONS THROUGH UNDER SLAB STRUCTURAL ELEMENTS.
 5. ROUTE CONDUIT BELOW OTHER UNDER SLAB UTILITIES WHERE POSSIBLE.



G4
E2.00 NTS
CONDUIT DETAIL - BELOW/RISING THROUGH SLAB ROUGH-IN



- DETAIL NOTES:**
1. THE FLOOR PLAN DRAWINGS GENERALLY SHOW CONDUIT ROUGH-IN FOR RECEPTACLE BRANCH CIRCUITS OVERHEAD (REFER TO SYMBOL LEGEND).
 2. DETAIL TYPICAL FOR ALL INTERIOR/DRY LOCATION FLUSH MOUNTED WIRING DEVICE ROUGH-INS, UNLESS NOTED OTHERWISE. BOTH UNDER SLAB AND OVERHEAD CONDUITS ROUGH-INS ARE SHOWN. COORDINATE ROUGH-IN WITH WALL TYPE.
 3. SEE SPECIFICATIONS FOR ADDITIONAL REQUIREMENTS.
 4. DEVICE MOUNTING RINGS INSTALLED SHALL RENDER DEVICE MOUNTING SURFACE FLUSH WITH FINISHED WALL SURFACE. FILL VOIDS BETWEEN DEVICE MOUNTING RINGS AND WALL WITH FILLER APPROPRIATE FOR WALL TYPE.
 5. BOXES SHALL BE RIGIDLY SUPPORTED WITHIN WALL. PROVIDE DEVICES INTENDED FOR APPLICATION.
 6. WHERE WALLS ARE BLOCK CONSTRUCTION, COORDINATE BLOCK FACE CUTTING WITH REQUIRED DEVICE MOUNTING HEIGHT. FIELD COORDINATE BOX INSTALLATION WITH REBAR.

G7
E2.00 NTS
RECEPTACLE BRANCH CIRCUIT ROUGH-IN

ELECTRICAL SYMBOL SCHEDULE	
POWER SYMBOLS	
⊖	120V, 20A DUPLEX RECEPTACLE, MOUNT 16" AFF.
⊕	120V, 20A DUPLEX RECEPTACLE, ABOVE COUNTER HEIGHT, MOUNT 3" ABOVE COUNTER BACKSPASH OR 42" AFF WHERE NO COUNTERS ARE SHOWN.
⊖⊕	120V, 20A QUADRUPLUX RECEPTACLE, MOUNT 16" AFF.
⊕	SPECIAL RECEPTACLE, TYPE AS NOTED
E	SUBSCRIPT INDICATES RECEPTACLE CONNECTED TO EMERGENCY POWER, DEVICE COLOR SHALL BE RED
GFI	SUBSCRIPT INDICATES RECEPTACLE TO BE GROUND FAULT CIRCUIT INTERRUPTER TYPE
EWC	SUBSCRIPT INDICATES RECEPTACLE FOR WATER COOLER, PROVIDE 20A, 120V GFCI DUPLEX RECEPTACLE FLUSH MOUNTED, CONCEALED BEHIND WATER COOLER.
P	SUBSCRIPT INDICATES RECEPTACLE FOR PROJECTOR
SB	SUBSCRIPT INDICATES RECEPTACLE FOR SMARTBOARD/TOUCHSCREEN
TV	SUBSCRIPT INDICATES RECEPTACLE FOR TV
T	SUBSCRIPT INDICATES RECEPTACLE TO BE TAMPER PROOF
WP	SUBSCRIPT INDICATES RECEPTACLE TO BE WEATHER PROOF (GFCI W/ WALE-N-THERPOOL COVER)
DL	SUBSCRIPT INDICATES RECEPTACLE TO BE DAMP LOCATION (GFCI W/ WALE-N-THERPOOL COVER)
U	SUBSCRIPT INDICATES RECEPTACLE WITH USB CHARGING PORT.
X	EQUIPMENT CONDUIT/CIRCUIT CONNECTION.
~	CONDUIT/CIRCUIT CONTINUATION
■	PANELBOARD, 120/208V OR 120/240V, UNLESS NOTED OTHERWISE
[GECB]	COMMON GROUNDING ELECTRODE CONDUCTOR BUSBAR, PROVIDE CHATSWORTH PRODUCTS, INC TYPE 10622-012 UNLESS NOTED OTHERWISE
COMMON ABBREVIATIONS	
AFF	ABOVE FINISHED FLOOR
AFG	ABOVE FINISHED GRADE
AF	ABOVE FINISHED CEILING
U	UNLESS NOTED OTHERWISE
RT	NEHA - RAIN TIGHT
4X	4X NEMA 4X, WEATHER PROOF STAINLESS STEEL
C	CONDUIT
EC	EMPTY CONDUIT
ELECTRICAL SYMBOL SCHEDULE NOTES	
1. MOUNTING HEIGHTS ARE TO BOTTOM OF DEVICE ROUGH-IN UNO.	
2. SEE LIGHTING AND FIRE ALARM SYSTEM SHEETS FOR ADDITIONAL SYMBOLOLOGY.	

CONDUIT ROUTING LEGEND	
	CONDUIT RUN CONCEALED OVER HEAD OR VERTICALLY WITHIN WALLS.
	CONDUIT RUN BELOW GRADE OR UNDER SLABS.
	CONDUIT RUN EXPOSED.
	CONDUIT HOMERUN, ARROW HEADS INDICATE NUMBER OF CIRCUITS, SHORT TICK MARKS INDICATE PHASE CONDUCTORS, LONG TICK MARKS INDICATE NUMBER OF NEUTRAL CONDUCTORS, TICK MARK WITH HOOK INDICATES GROUNDING CONDUCTOR (THREE CIRCUIT HOMERUN RUN CONCEALED WITH DEDICATED NEUTRAL INDICATED SHOWN).

Order Plans @ www.LDInline.com

GMC

1219 Wayne Street
Columbia, SC 29201
T 803.766.1235
GMCNETWORK.COM



Buford Goff & Associates, Inc.
Engineers & Planners
1433 Boulevard Ave.
Columbia, SC 29201
Phone: 803.766.1235

ISSUE	DATE
BID DOCUMENTS	10/24/19

DRAWN BY: MTFH
CHECKED BY: BCM

ELECTRICAL SCHEDULES & DETAILS
MILLBROOK ELEMENTARY SCHOOL - ADDITIONS AND RENOVATIONS
255 E PINE LOG RD,
AIKEN, SC 29803
GMC # ACOL180004

E2.00