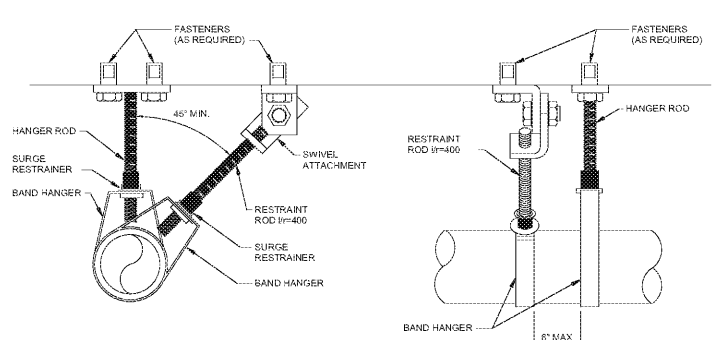


HANGER (WITH SURGE CLIPS)
PP5703

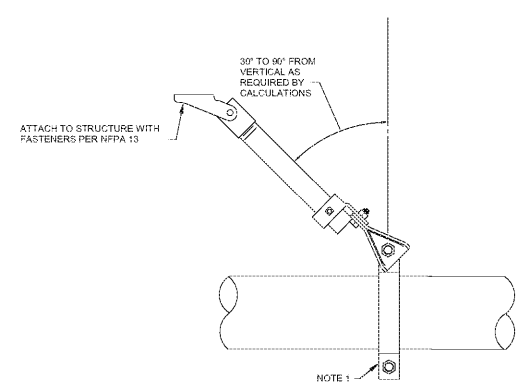


HANGER (WITH THREADED ROD EXTENDED TO PIPE)
PP5707

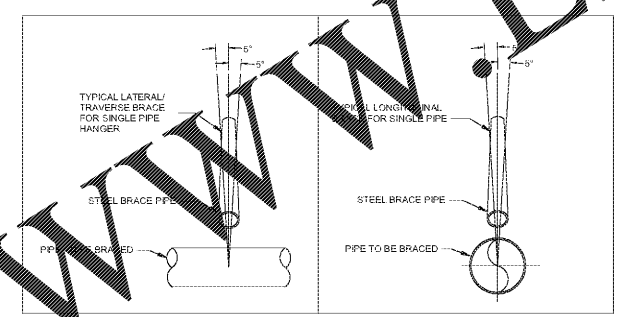
RODS (ALL THREADED), SIZE	LEAST RADIUS OF GYRATION, r (IN)	MAX LENGTH (IN) (R ₁) = 400
3/8	0.075	30
1/2	0.101	46
5/8	0.128	51

* IF MAXIMUM ROD LENGTH FOR W=400 ARE EXCEEDED, AN ADDITIONAL ANGLED HANGER ROD SHALL BE INSTALLED ON OPPOSITE SIDE OF PIPE.

BRANCH LINE AND END OF LINE RESTRAINT DETAIL
09/18 NOT TO SCALE PP5701

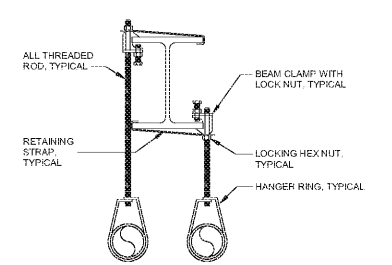


BEAM CLAMP WITH RETAINING STRAP DETAIL
PP5704

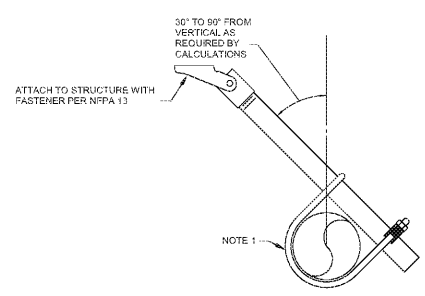


GENERIC LONGITUDINAL BRACE DETAIL
12/13 NOT TO SCALE PP5703

MAXIMUM ALLOWABLE OFFSET ANGLE FOR SEISMIC BRACING INSTALLATION
11/16 NOT TO SCALE PP5701

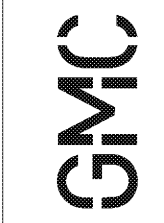


GENERIC LATERAL/TRAVERSE BRACE DETAIL
12/13 NOT TO SCALE PP5702



GENERIC LATERAL/TRAVERSE BRACE DETAIL
12/13 NOT TO SCALE PP5702

Order Plans @ www.LDILine.com



1219 Wayne
Columbia, SC
T
GMCNETWORK.CO



Buford Goff & Associates, Inc.
Engineers & Planners
1600 Boulevard Ave.
Columbia, SC 29204
Phone: 803.241.4532

ISSUE DATE	DATE
BID DOCUMENTS	10.24.19

DRAWN BY: BKT
CHECKED BY: JHLV

MILLBROOK ELEMENTARY
SCHOOL - ADDITIONS AND
RENOVATIONS
255 E PINE LOG RD, AIKEN, SC
29803
GMC # ACOL180004

DETAILS - FIRE
PROTECTION

F5.00