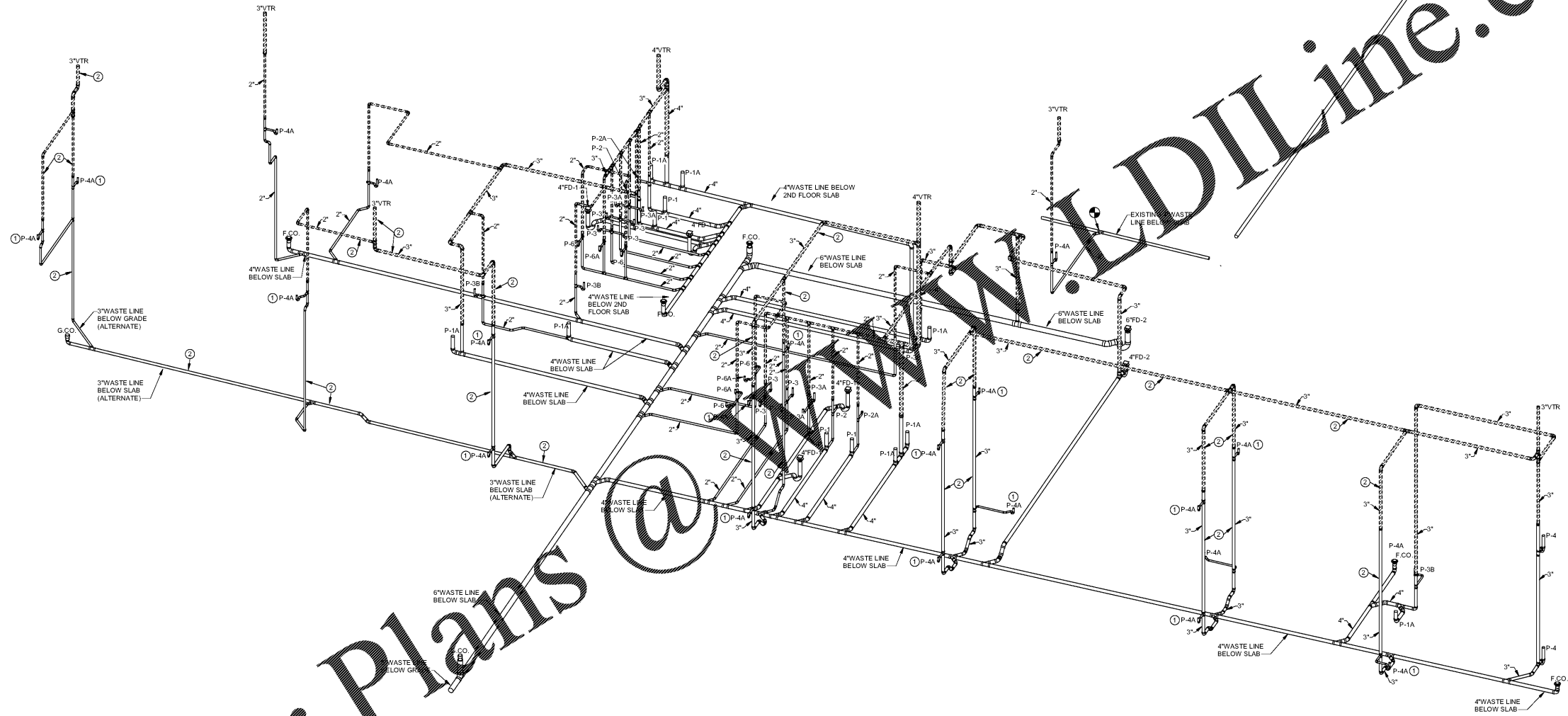


10/17/2019 10:48:55 AM

# Order Plans



- NOTES:**
- ① FIXTURE AND ASSOCIATED PIPING ARE PART OF THE ALTERNATE. REFER TO SHEET P1.1A(A) FOR MORE INFORMATION.
  - ② WASTE AND/OR VENT PIPING ASSOCIATED WITH ALTERNATE. REFER TO SHEET P1.1A(A) FOR MORE INFORMATION.

**1 PLUMBING RISER**  
SCALE:

PLUMBING RISER

MILLBROOK ELEMENTARY  
SCHOOL - ADDITIONS AND  
RENOVATIONS  
255 E PINE LOG RD, AIKEN, SC  
29803  
GMC # ACOL180004

## P2.0

ISSUE DATE

BID DOCUMENTS 10.24.19

**Buford Goff & Associates, Inc.**  
Engineers & Planners  
1433 Blount Ave.  
Suite 200  
Aiken, SC 29801  
Phone 803.724.4332



1219 Wayne  
Columbia, SC  
T  
GMCNETWORK.CO

# GMC