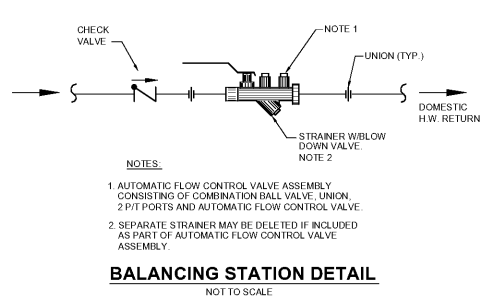
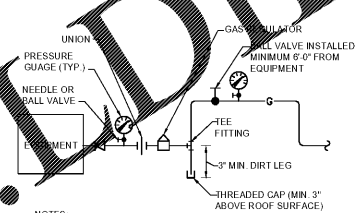


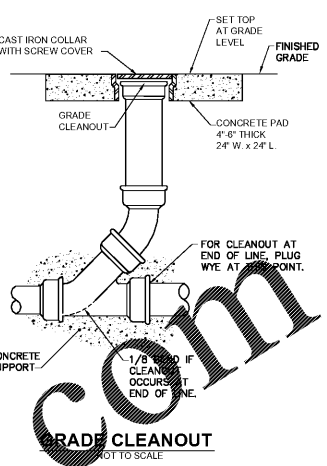
Order Plans @ www.DDLine.com



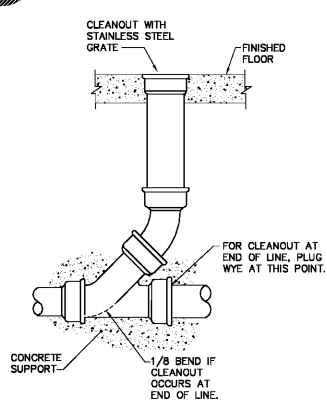
BALANCING STATION DETAIL
NOT TO SCALE



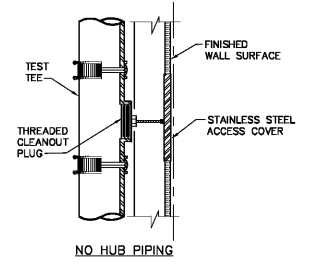
EQUIPMENT GAS PIPING DETAIL
NOT TO SCALE



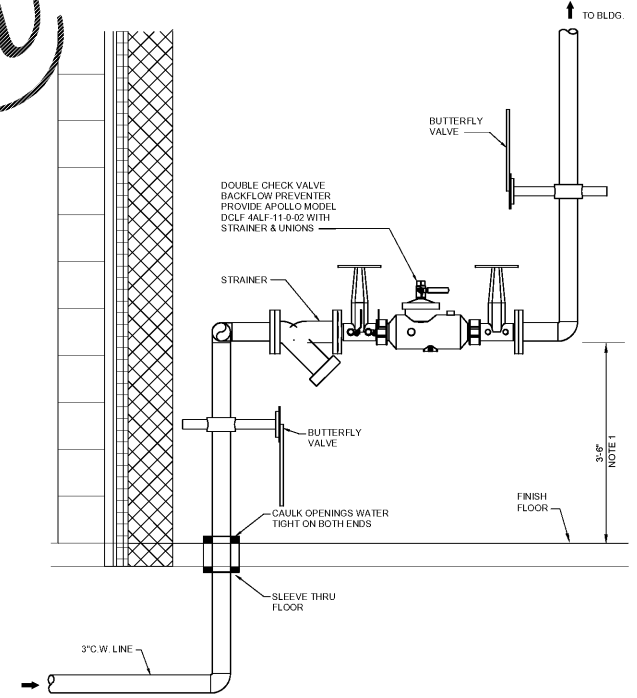
GRADE CLEANOUT
NOT TO SCALE



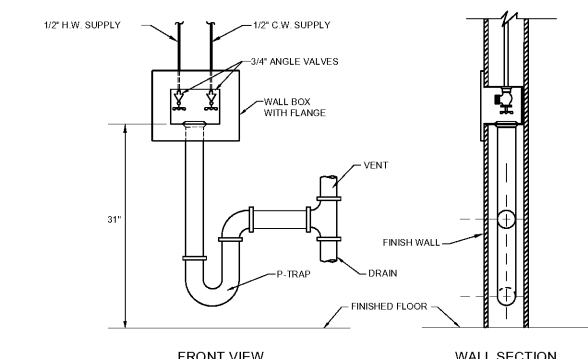
FLOOR CLEANOUT
NOT TO SCALE



WALL CLEANOUT DETAIL
NOT TO SCALE



3\"/>NOT TO SCALE



WASHING MACHINE CONNECTION
NOT TO SCALE

GMC

1219 Weyne
Columbia, SC
T: GMC NETWORK CO

BUROFD GOTT & ASSOCIATES, INC.
No. 00022
CERTIFICATE OF AUTHORITY
SOUTH CAROLINA
PLUMBING

BUROFD GOTT & ASSOCIATES, INC.
No. 10556
CERTIFICATE OF AUTHORITY
SOUTH CAROLINA
PLUMBING

Buford & Associates, Inc.
Engineers & Planners
1331 Elmwood Ave.
Columbia, SC 29201
Phone (803) 241-6002

ISSUE	DATE
BID DOCUMENTS	10.24.19

DRAWN BY: SLM
CHECKED BY: MA

MILLBROOK ELEMENTARY
SCHOOL - ADDITIONS AND
RENOVATIONS
255 E PINE LOG RD,
AIKEN, SC 29803
GMC # ACOL180004

PLUMBING DETAILS
P0.2