

ISSUE	DATE
BID DOCUMENTS	10.24.19

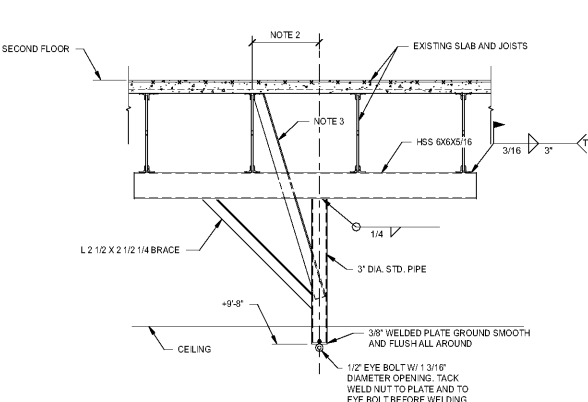
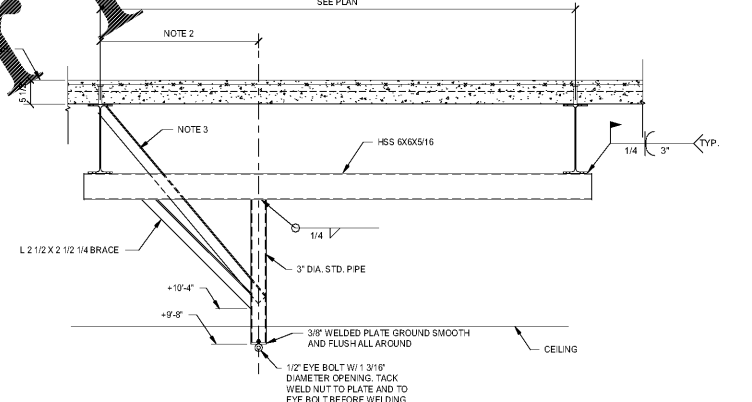
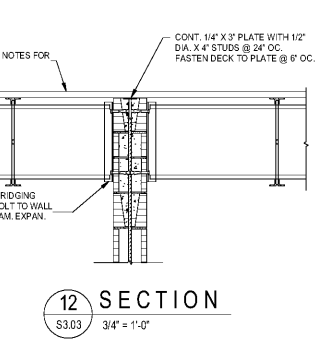
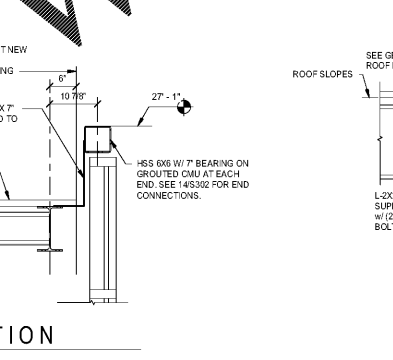
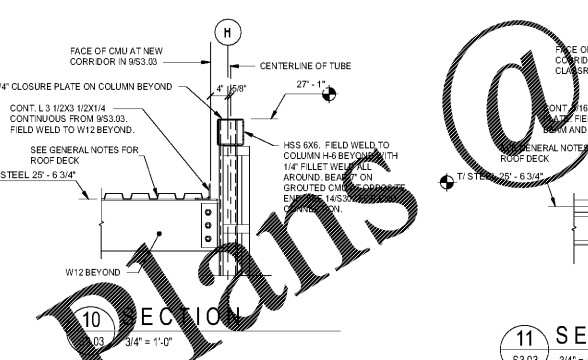
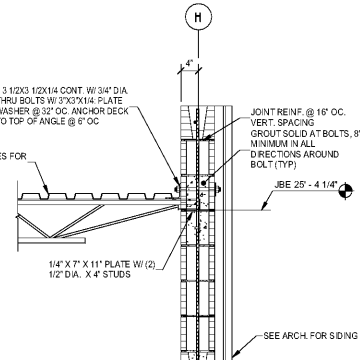
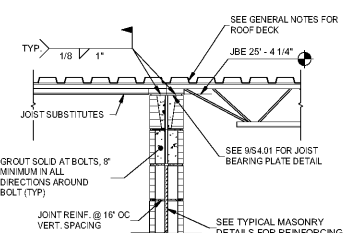
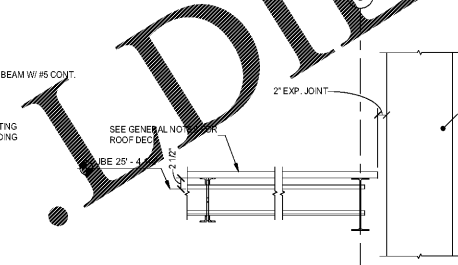
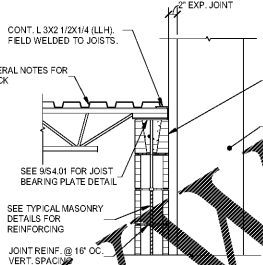
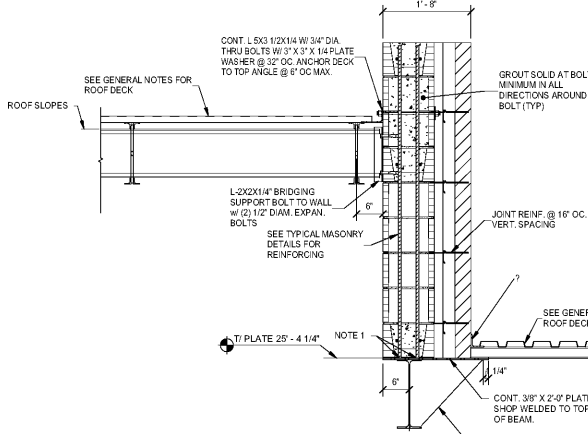
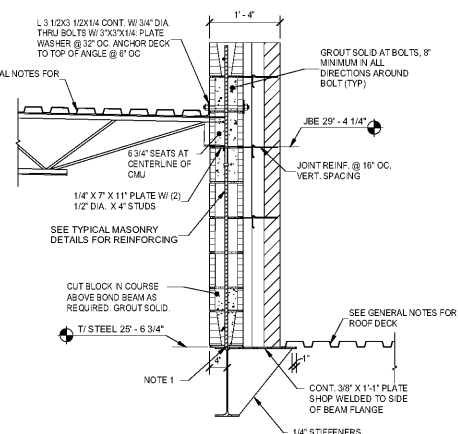
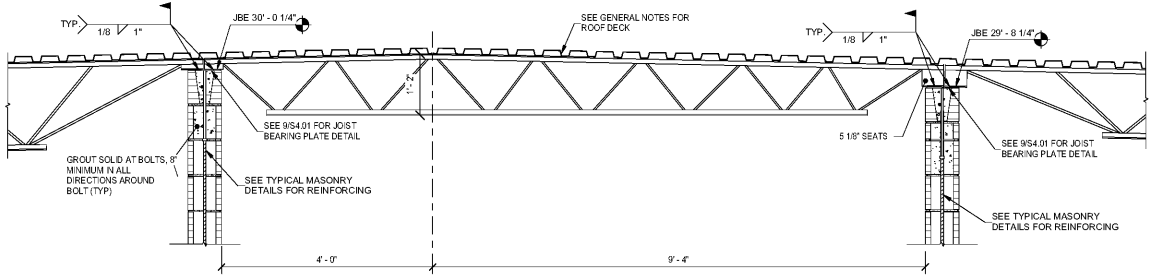
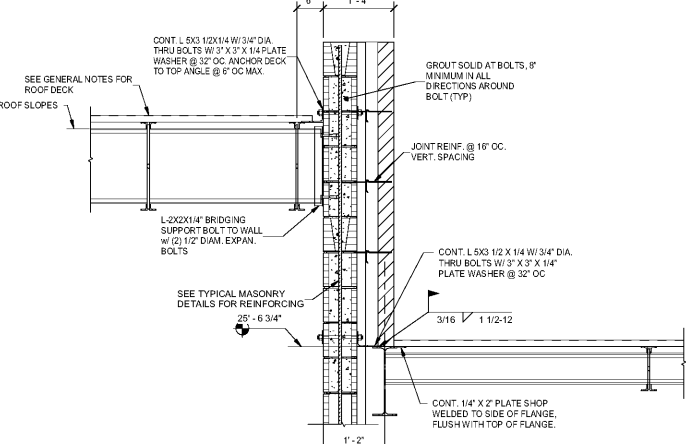
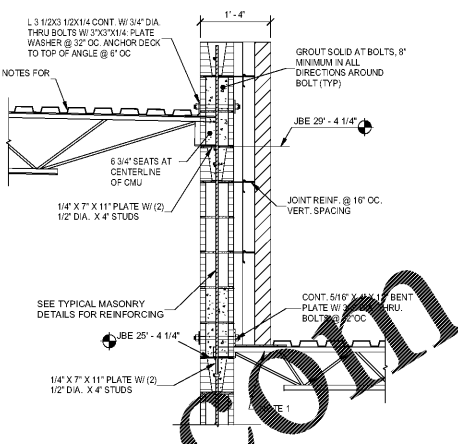
DRAWN BY: TGD
CHECKED BY: RMB

MILLBROOK ELEMENTARY
SCHOOL - ADDITIONS AND
RENOVATIONS
255 E PINE LOG RD, AIKEN, SC 29803
GMC # ACOL 180004

STRUCTURAL
DETAILS
S3.03



12233 Piedmont Avenue
Columbia, SC 29205
803.775.8827
803.775.8834



SPECIAL EDUCATION SWING SUPPORT

CLASSROOMS A111 AND A113 (NEW BUILDING)
CLASSROOM C103 (EXISTING BUILDING)

NOTES:
1. SUPPORTS FOR SWINGS AS SHOWN ABOVE ARE REQUIRED IN CLASSROOMS A111, A113 AND C103.
2. COORDINATE LOCATIONS WITH ARCHITECT AND OWNER'S REPRESENTATIVE. SUPPORTS ARE NOT SHOWN ON THE STRUCTURAL FRAMING PLAN.
3. WHERE NOTE 3 IS INDICATED, FIELD WELD DIAGONAL L 2 1/2 X 2 1/2 X 1/4 BRACE BEYOND FROM PIPE UP TO TOP FLANGE OF BEAM OR TOP CHORD OF JOIST, APPROXIMATELY 90 DEGREES FROM OTHER BRACE.

Order Plans @

WWW.IDIline.com