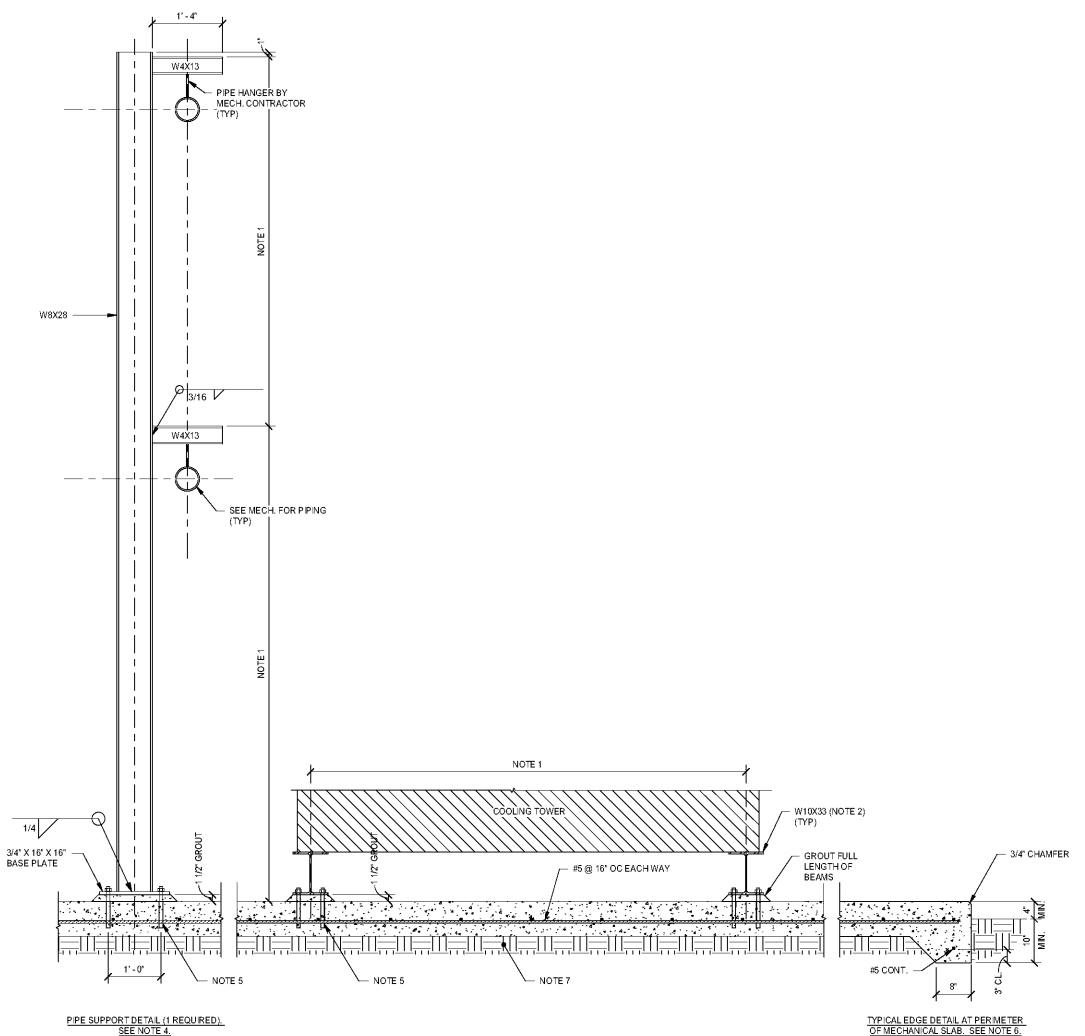


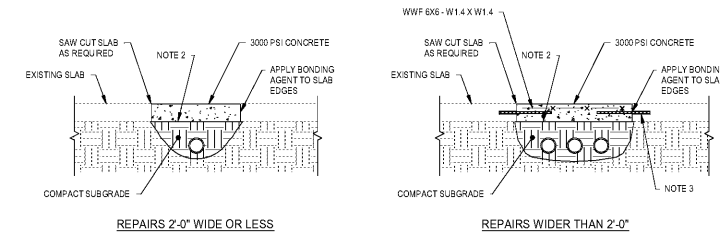
1 2 3 4 5 6 7 8 9 1 1 1

K
J
H
G
F
E
D
C
B
A



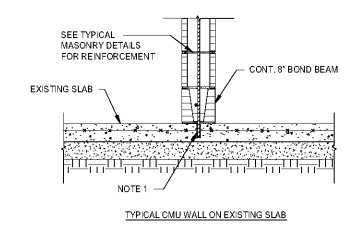
1 COOLING TOWER SLAB AND SUPPORT
 S2.02 3/4" = 1'-0"

NOTES:
 1. CONTRACTOR SHALL COORDINATE ALL DIMENSIONS WITH COOLING TOWER SUPPLIER.
 2. PROVIDE HOLES IN BEAM FLANGES AS REQUIRED BY THE COOLING TOWER SUPPLIER. IF HOLES ARE DRILLED AFTER GALVANIZING, PAINT HOLES WITH GALVANIZING REPAIR PAINT.
 3. ALL STEEL AND BOLTS SHALL BE HOT-DIPPED GALVANIZED. PAINT ALL AREAS WHERE GALVANIZING IS DAMAGED WITH GALVANIZING REPAIR PAINT.
 4. LOCATION AND ORIENTATION OF PIPE SUPPORT DETAIL ABOVE DOES NOT INDICATE ACTUAL LOCATION OR ORIENTATION OF SUPPORT. COORDINATE ACTUAL LOCATION WITH THE MECHANICAL EQUIPMENT.
 5. PROVIDE (2) 3/4" DIAMETER THREADED ROD ANCHOR BOLTS AT EACH END OF EACH BEAM, 1'-0" FROM END OF BEAM (4 BOLTS PER BEAM). PROVIDE (4) BOLTS AT PIPE SUPPORT BASE PLATE. DRILL AND EPOXY GROUT INTO SLAB USING AN ADHESIVE IN THE CONCRETE POST-INSTALLED ANCHOR TABLE ON S1.00.
 6. SEE CIVIL DRAWINGS FOR LOCATION AND EXTENTS OF MECHANICAL SLAB AND SLAB SLOPE.
 7. COMPACT SUBGRADE BEFORE CONCRETE IS PLACED.



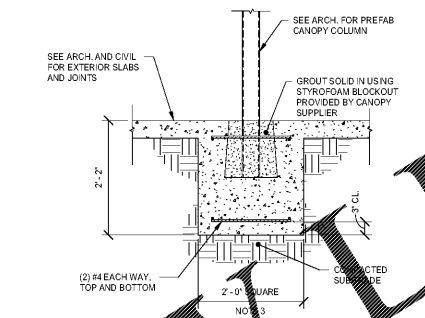
2 SLAB PATCH DETAILS
 S2.02 3/4" = 1'-0"

- NOTES:
 1. SEE THE DRAWINGS OF ALL OTHER DISCIPLINES FOR AREA WHERE EXISTING SLABS MUST BE CUT. REPAIR CUT AREAS AS SHOWN ABOVE.
 2. IF EXISTING SLAB HAS A VAPOR BARRIER, PROVIDE NEW VAPOR BARRIER OVER COMPACTED SUBGRADE AND TOUCH UNDER EDGES OF EXISTING SLAB.
 3. AT SIDES OF SLAB REPAIRS WIDER THAN 2'-0", PROVIDE 12" LONG #4 DOWELS @ 24" OC, DRILL AND GROUT 4" INTO EXISTING SLAB USING AN ADHESIVE IN THE CONCRETE POST-INSTALLED ANCHOR TABLE ON S1.00.



3 SECTION
 S2.02 3/4" = 1'-0"

- NOTES:
 1. VERTICAL REINFORCING FOR CMU WALL ON EXISTING SLAB SHALL BE DRILLED AND GROUTED 3" DEEP USING AN ADHESIVE IN THE CONCRETE POST-INSTALLED ANCHOR TABLE ON S1.00.
 2. NEW WALLS IN THE EXISTING STRUCTURE SHALL NOT BE SHOWN ON THE STRUCTURAL DRAWINGS. SEE ARCHITECTURAL DRAWINGS.
 3. BRACE TOPS OF WALL PER THE WALL BRACE DETAIL ON S4.02.



4 PREFAB CANOPY FOUNDATION
 S2.02 3/4"

- NOTES:
 1. USE THIS FOOTING DETAIL WHERE CONCRETE FOOTINGS FOR PREFABRICATED CANOPIES ARE INDICATED ON THE ARCHITECTURAL DRAWINGS AND THE CANOPY SHOP DRAWINGS. SEE THE ARCHITECTURAL DRAWINGS FOR CANOPY COLUMN LOCATIONS (NOT SHOWN ON THESE STRUCTURAL DRAWINGS).
 2. USE MINIMUM COLLARS IN CONTACT WITH CONCRETE OR GROUT WITH CLEAR ACRYLIC.
 3. USE SQUARE FOOTINGS WHERE COLUMN SPACING EXCEEDS 9' ON EITHER SIDE OF FOOTING.

Order Plans @ WWW.DILine.com

GMC

1219 Wayne Street
 Columbia, SC 29201
 T 803.790.1235
 GMCNETWORK.COM

Professional Engineer Seal: No. 8736, Allard Allan, State of South Carolina, 9.26.19

Professional Engineer Seal: Johnson & Kim, Engineers, No. 0165, State of South Carolina

ISSUE DATE	DATE
BID DOCUMENTS	10.24.19
DRAWN BY:	TCD
CHECKED BY:	TRB

MILLBROOK ELEMENTARY SCHOOL - ADDITIONS AND RENOVATIONS
 255 E PINE LOG RD., AIKEN, SC 29803
GMC # ACOL 180004

STRUCTURAL DETAILS
S2.02

1 2 3 4 5 6 7 8 9 1 1 1