



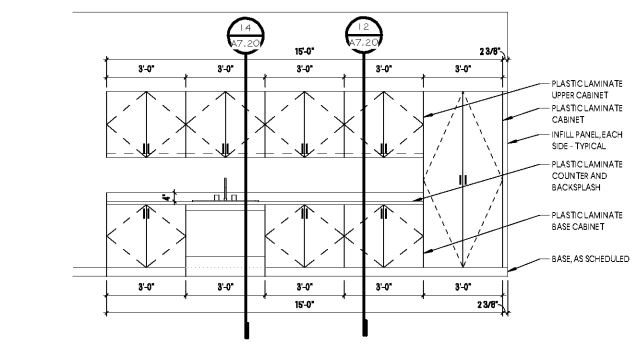
ISSUE DATE	DESCRIPTION
10.24.19	BID DOCUMENTS

MILLBROOK ELEMENTARY SCHOOL -
ADDITION AND RENOVATIONS
255 E PINE LOG RD., AIKEN, SC 29803

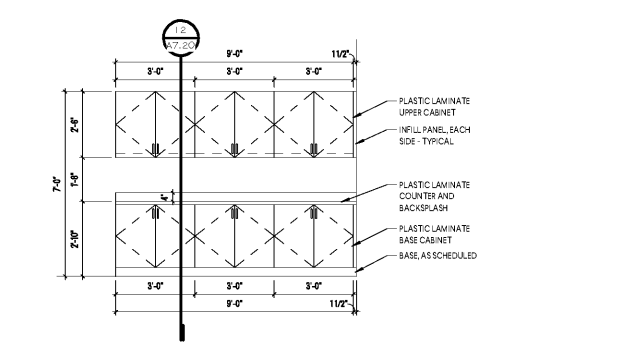
GMC # ACOL180004

INTERIOR ELEVATIONS AND
MILLWORK ELEVATIONS AND
SECTIONS

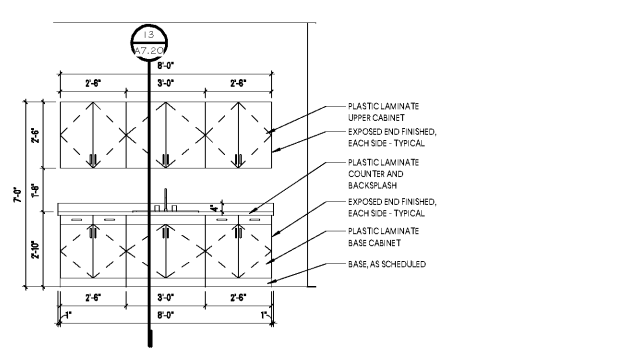
A7.20



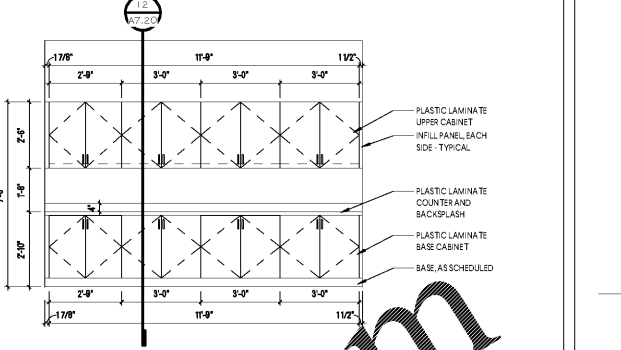
1 MILLWORK ELEVATION - TYPICAL CLASSROOM
SCALE: 3/8" = 1'-0"



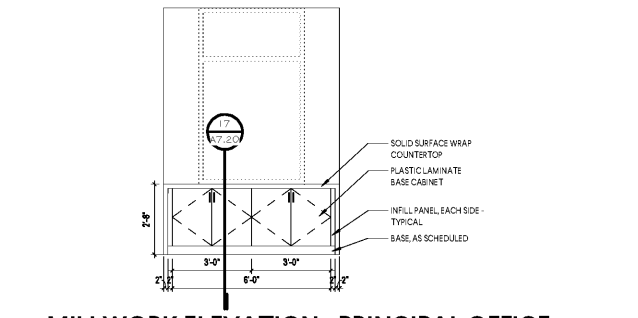
2 MILLWORK ELEVATION - SPEECH
SCALE: 3/8" = 1'-0"



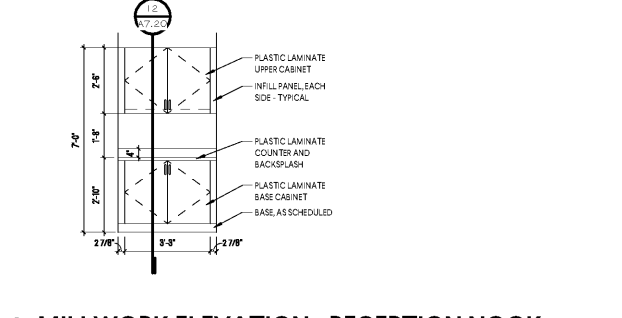
3 MILLWORK ELEVATION - BREAK ROOM
SCALE: 3/8" = 1'-0"



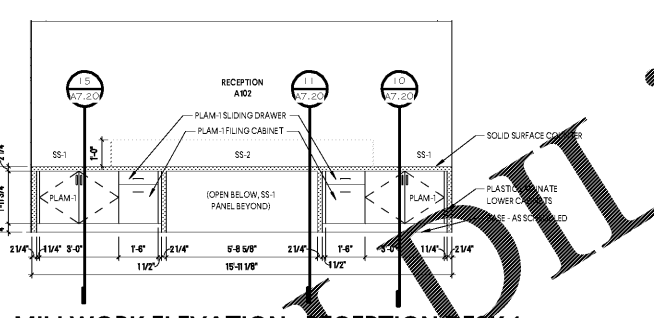
4 MILLWORK ELEVATION - WORK ROOM
SCALE: 3/8" = 1'-0"



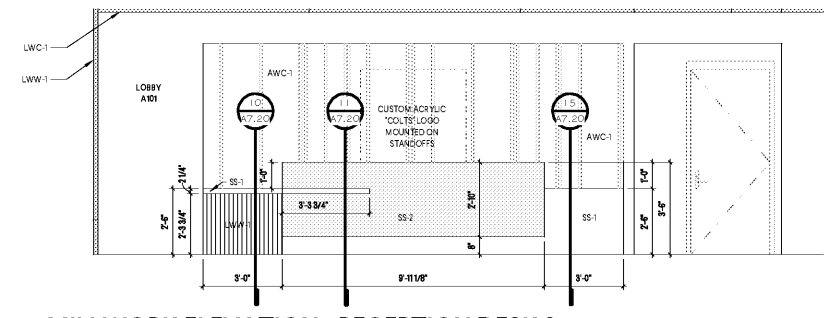
5 MILLWORK ELEVATION - PRINCIPAL OFFICE
SCALE: 3/8" = 1'-0"



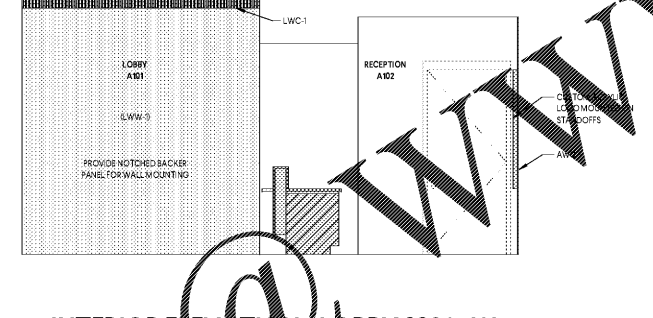
6 MILLWORK ELEVATION - RECEPTION NOOK
SCALE: 3/8" = 1'-0"



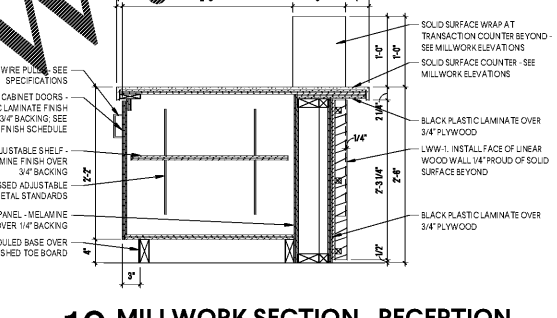
7 MILLWORK ELEVATION - RECEPTION DESK 1
SCALE: 3/8" = 1'-0"



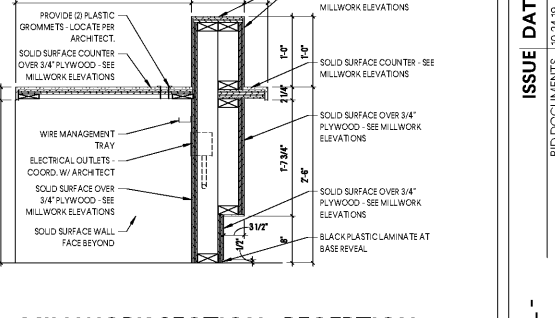
8 MILLWORK ELEVATION - RECEPTION DESK 2
SCALE: 3/8" = 1'-0"



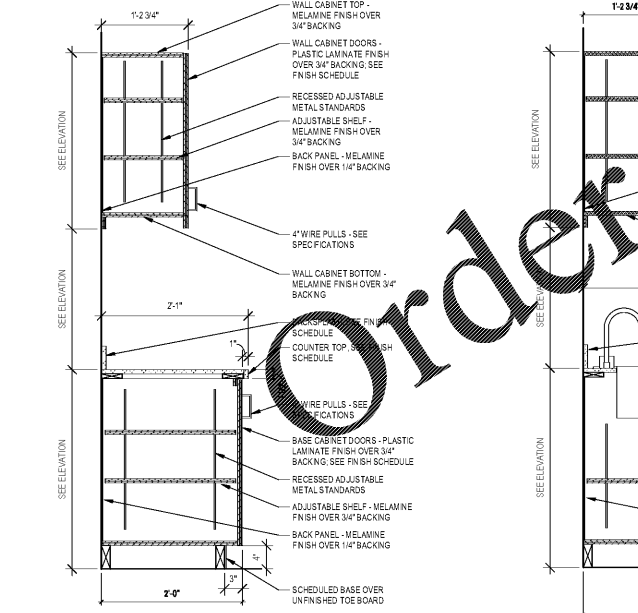
9 INTERIOR ELEVATION - LOBBY 2201 - W
SCALE: 3/8" = 1'-0"



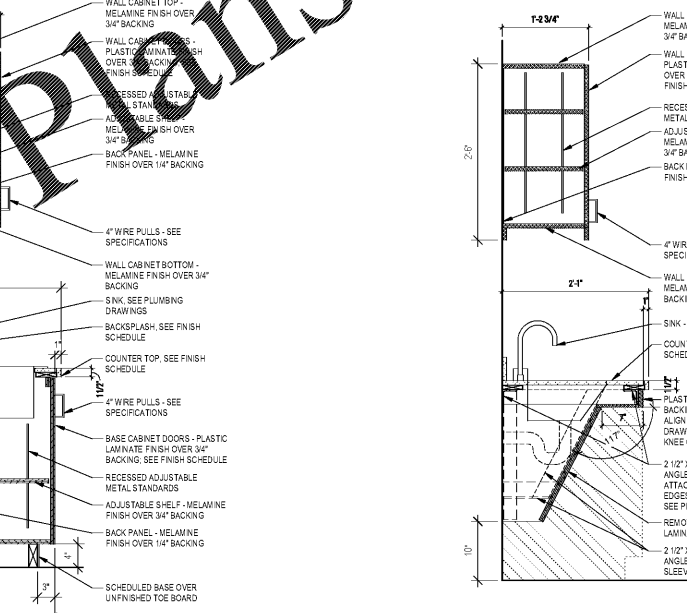
10 MILLWORK SECTION - RECEPTION
SCALE: 1" = 1'-0"



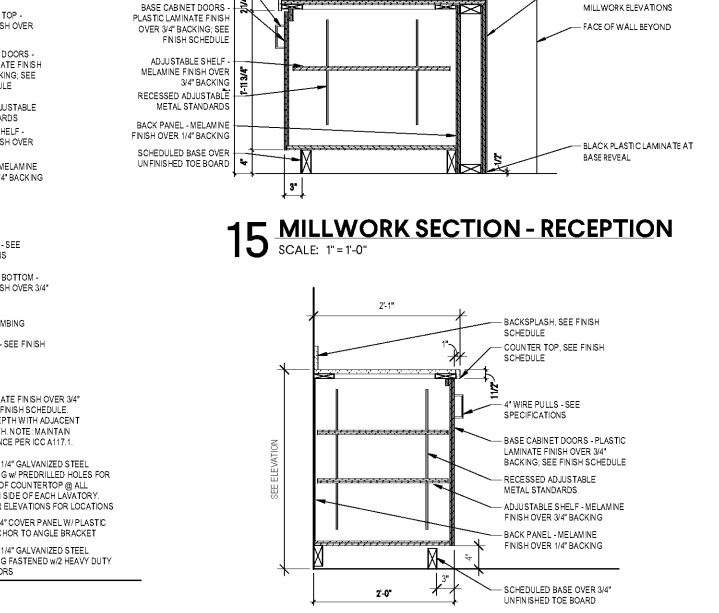
11 MILLWORK SECTION - RECEPTION
SCALE: 1" = 1'-0"



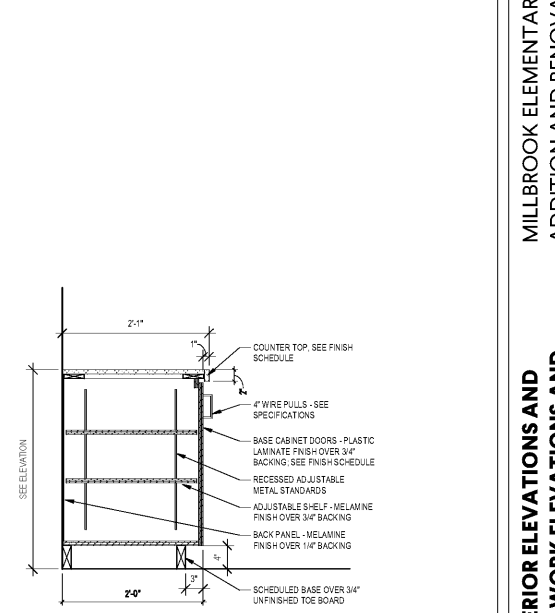
12 MILLWORK SECTION - TYPICAL
SCALE: 1" = 1'-0"



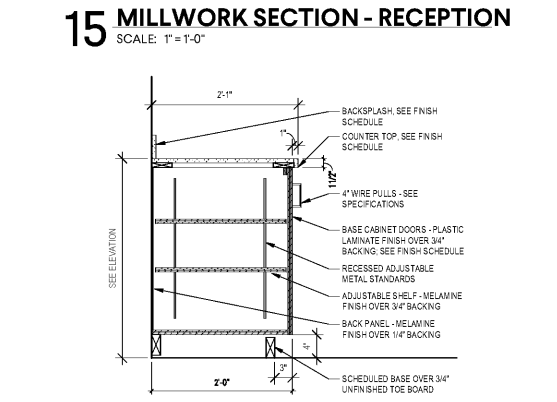
13 MILLWORK SECTION - TYPICAL W/ SINK
SCALE: 1" = 1'-0"



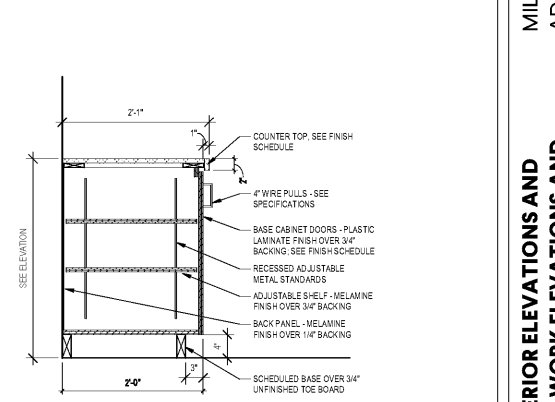
14 MILLWORK SECTION - AT SINK - UPPERS
SCALE: 1" = 1'-0"



15 MILLWORK SECTION - RECEPTION
SCALE: 1" = 1'-0"



16 MILLWORK SECTION - BASE ONLY
SCALE: 1" = 1'-0"



17 MILLWORK SECTION - PRINCIPAL DESK
SCALE: 1" = 1'-0"