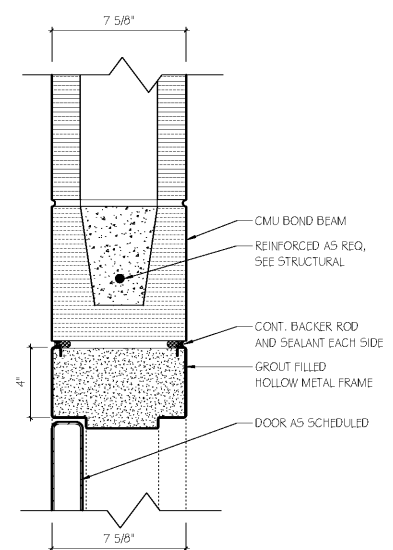
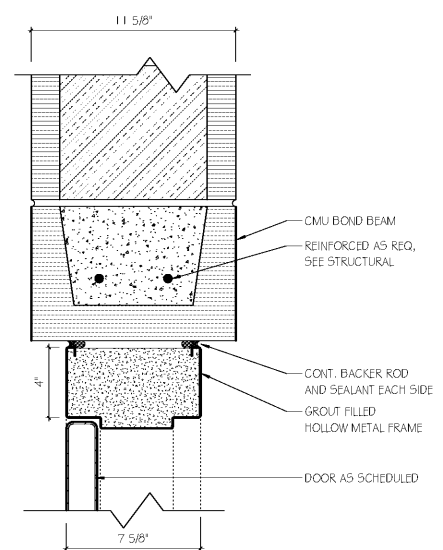


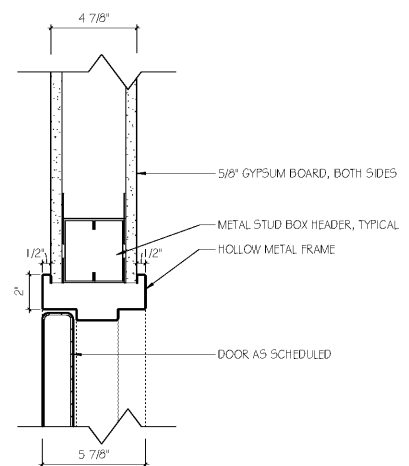
10/29/2019 5:33:24 AM



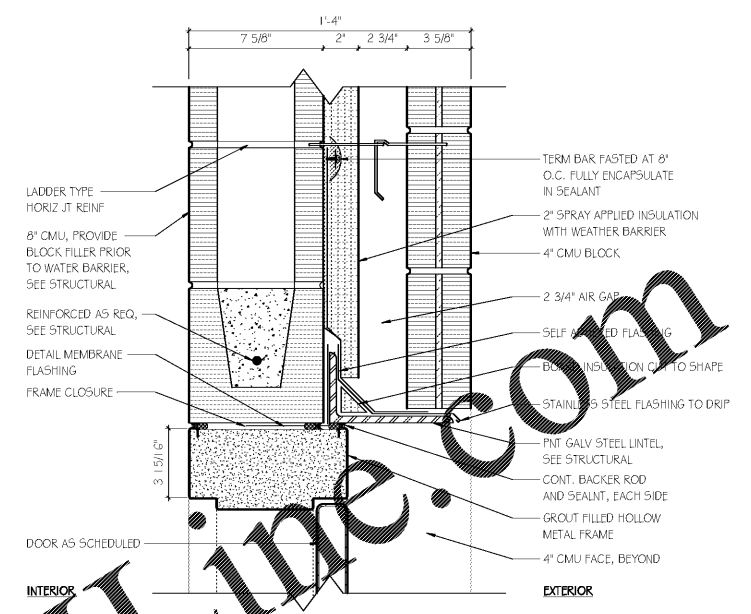
**1 H1**  
SCALE: 3"=1'-0"



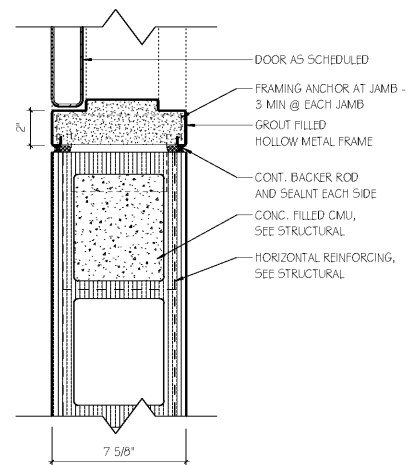
**2 H2**  
SCALE: 3"=1'-0"



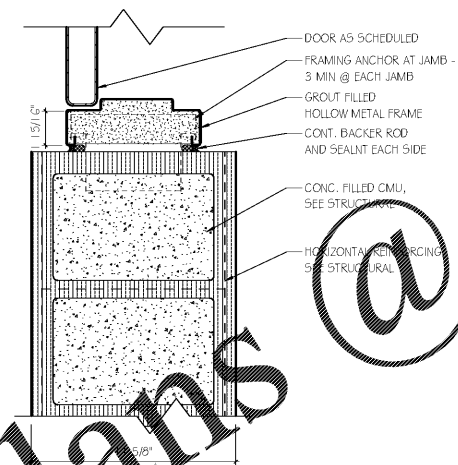
**3 H3**  
SCALE: 3"=1'-0"



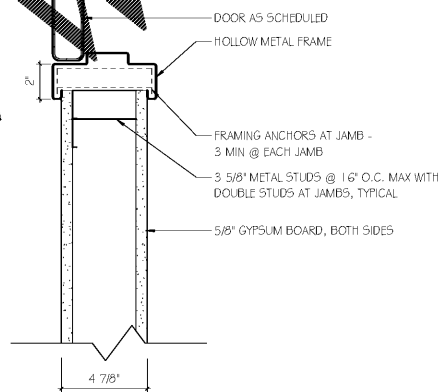
**4 H4**  
SCALE: 3"=1'-0"



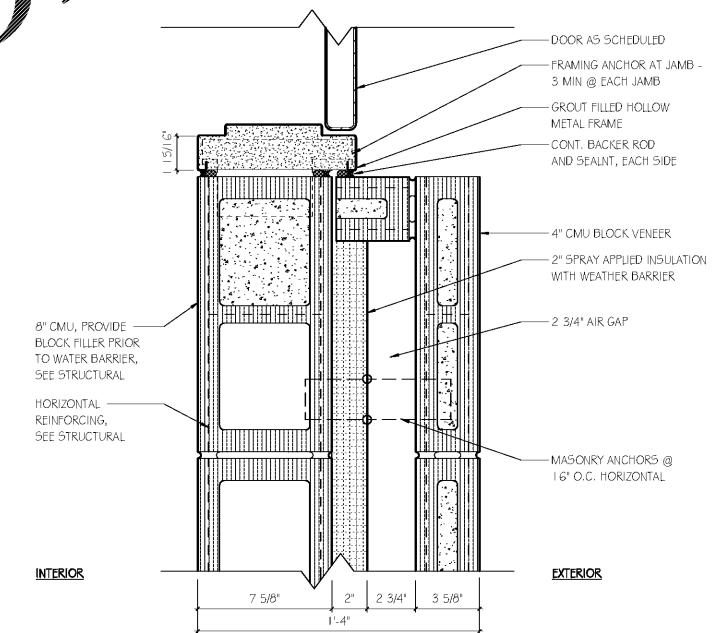
**5 J1**  
SCALE: 3"=1'-0"



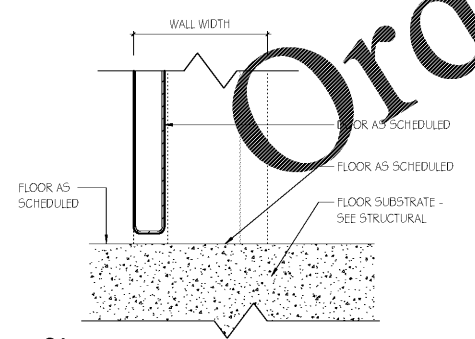
**6 J2**  
SCALE: 3"=1'-0"



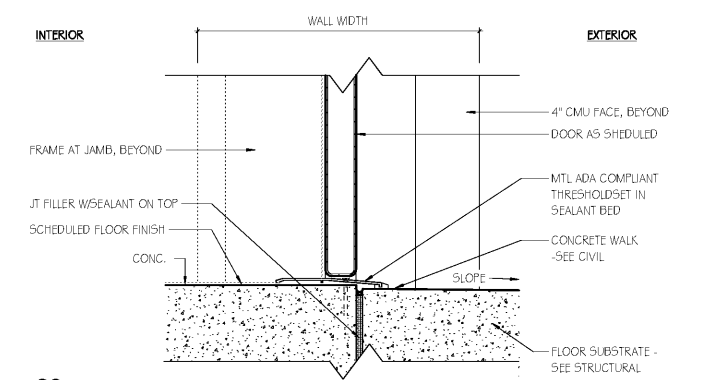
**7 J3**  
SCALE: 3"=1'-0"



**8 J4**  
SCALE: 3"=1'-0"



**9 S1**  
SCALE: 3"=1'-0"



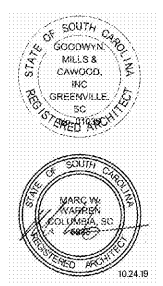
**10 S2**  
SCALE: 3"=1'-0"

Order Plans @

WWW.LDILine.com

**GMC**

1219 Wayne Street  
Columbia, SC 29201  
T 803.766.1235  
GMCNETWORK.COM



ISSUE DATE	DATE
BID DOCUMENTS	10.24.19

MILLBROOK ELEMENTARY  
SCHOOL - ADDITION AND  
RENOVATIONS  
255 E PINE LOG RD, AIKEN, SC 29803  
GMC # ACOL180004

HEAD/JAMB/SILL  
DETAILS

**A6.11**