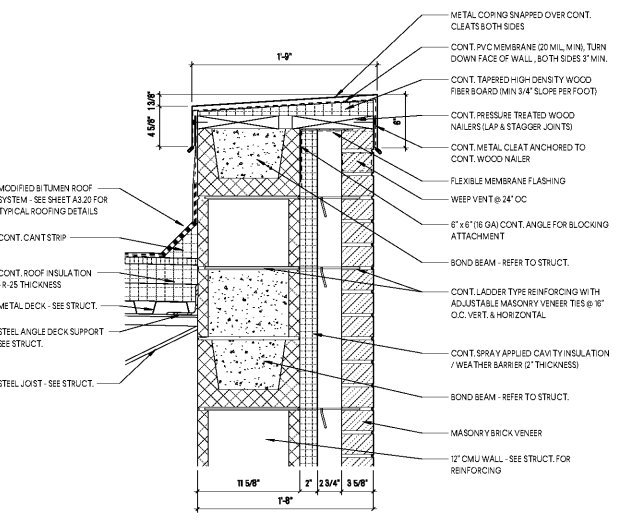
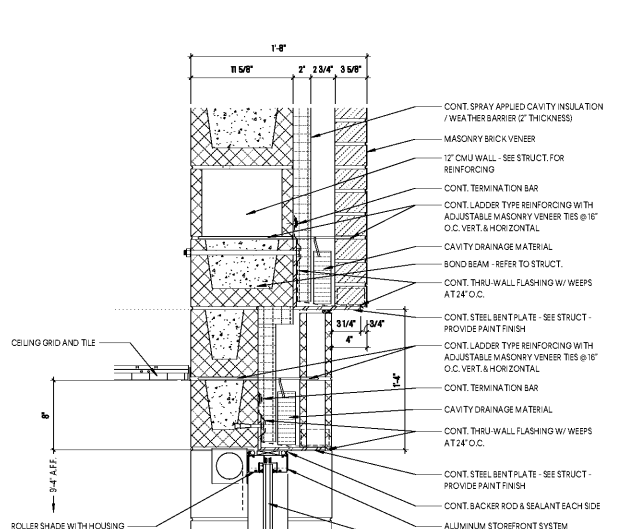


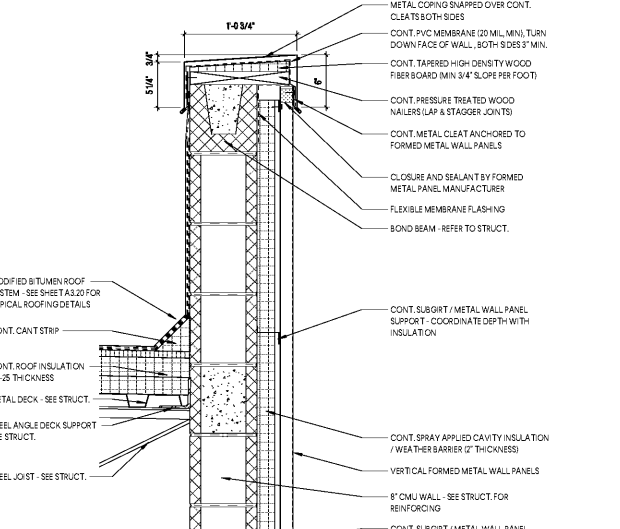
10/29/2019 5:28:46 AM



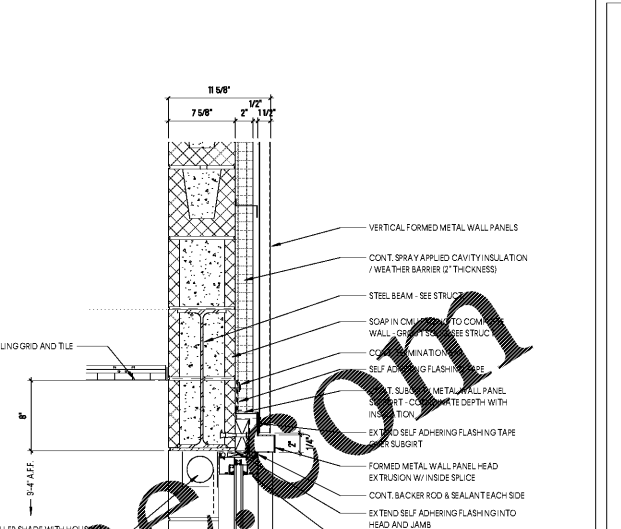
1 ENLARGED PARAPET DETAIL  
SCALE: 1 1/2" = 1'-0"



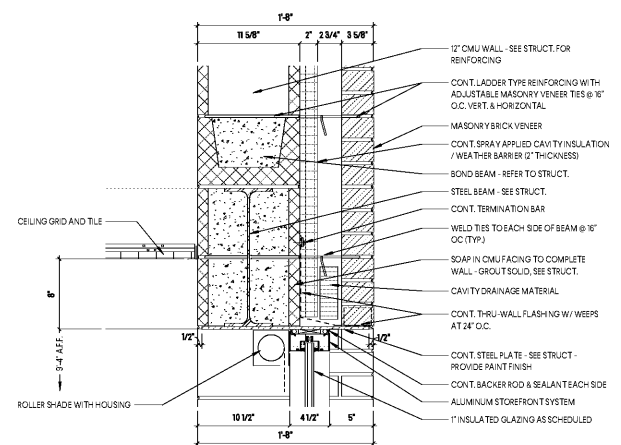
4 ENLARGED HEAD DETAIL  
SCALE: 1 1/2" = 1'-0"



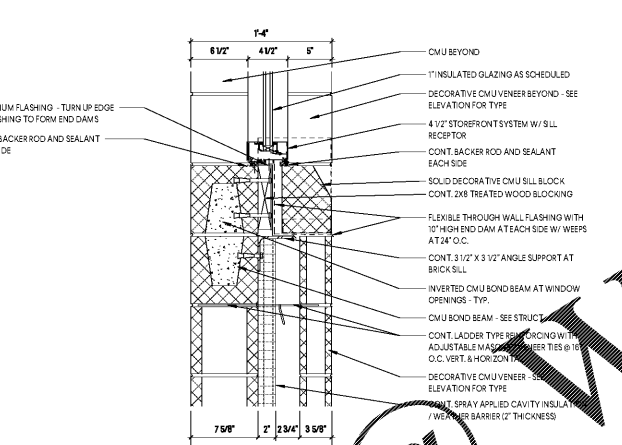
7 ENLARGED PARAPET DETAIL  
SCALE: 1 1/2" = 1'-0"



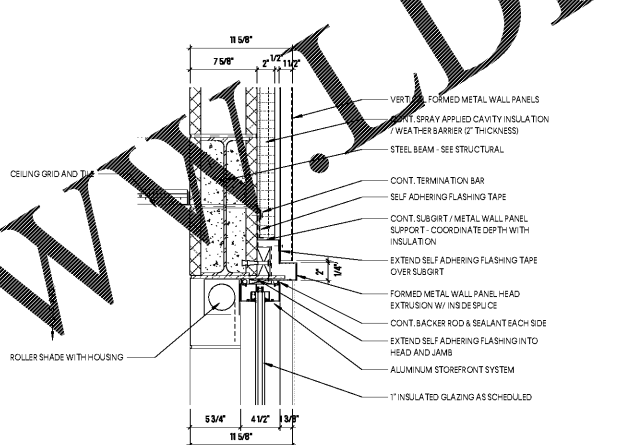
10 ENLARGED HEAD DETAIL  
SCALE: 1 1/2" = 1'-0"



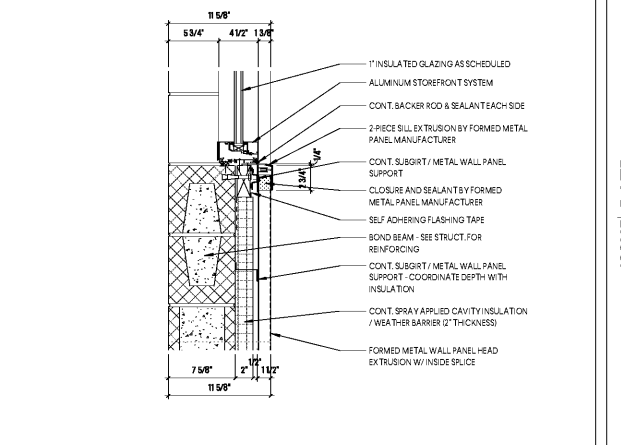
2 ENLARGED HEAD DETAIL  
SCALE: 1 1/2" = 1'-0"



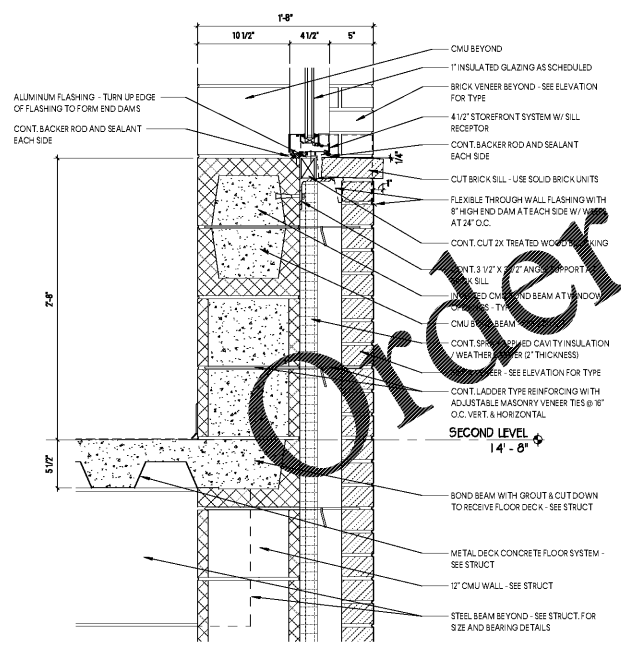
5 ENLARGED SILL DETAIL  
SCALE: 1 1/2" = 1'-0"



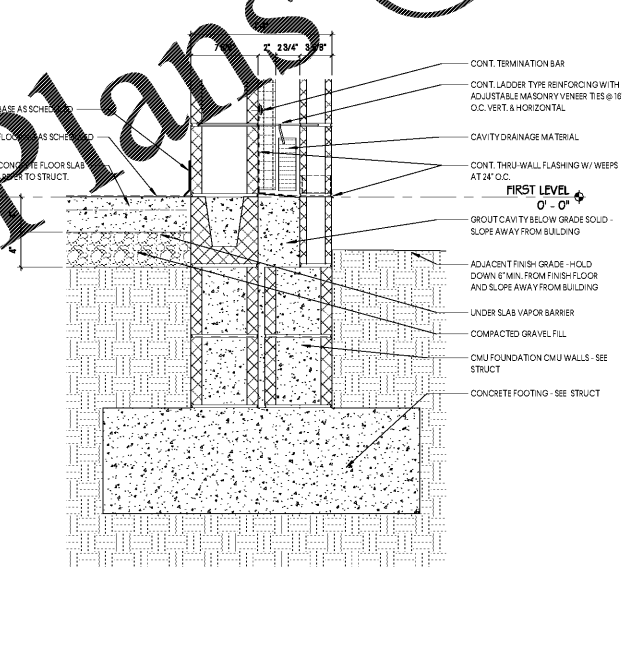
8 ENLARGED HEAD DETAIL  
SCALE: 1 1/2" = 1'-0"



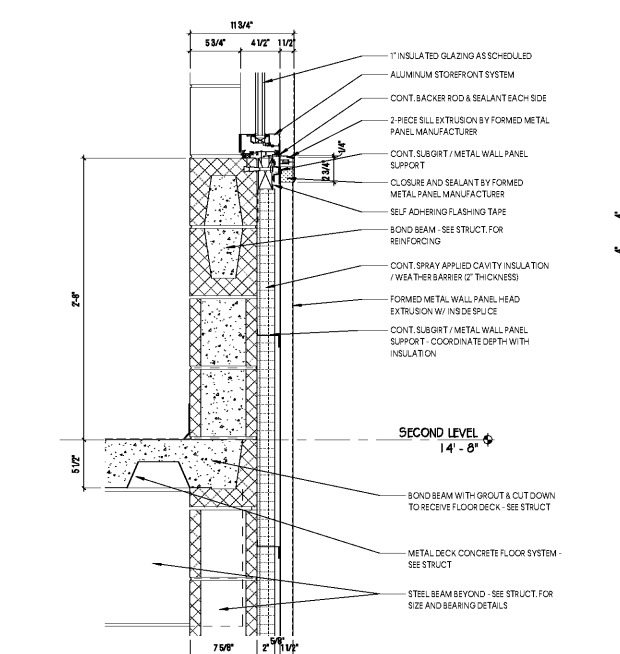
11 ENLARGED SILL DETAIL  
SCALE: 1 1/2" = 1'-0"



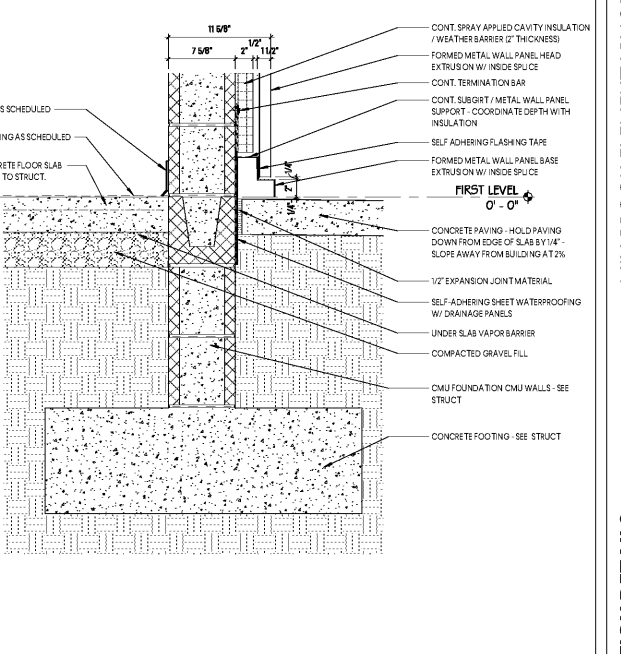
3 ENLARGED SILL DETAIL  
SCALE: 1 1/2" = 1'-0"



6 ENLARGED FOUNDATION DETAIL  
SCALE: 1 1/2" = 1'-0"



9 ENLARGED SILL DETAIL  
SCALE: 1 1/2" = 1'-0"



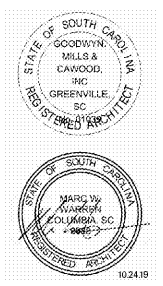
12 WALL SECTION 2 - DETAIL 6  
SCALE: 1 1/2" = 1'-0"

Order Plans @

WWW.DIline.com

GMC

1219 Wayne Street  
Columbia, SC 29201  
T: 803.766.1235  
GMCNETWORK.COM



ISSUE	DATE
BID DOCUMENTS	10.24.19

DRAWN BY: JMW  
CHECKED BY: JMW

MILLBROOK ELEMENTARY SCHOOL -  
ADDITION AND RENOVATIONS  
255 E PINE LOG RD., AIKEN, SC 29803

GMC # ACOL180004

SECTION DETAILS

A5.30