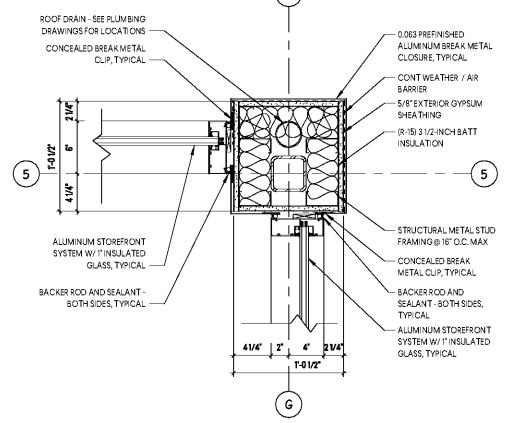
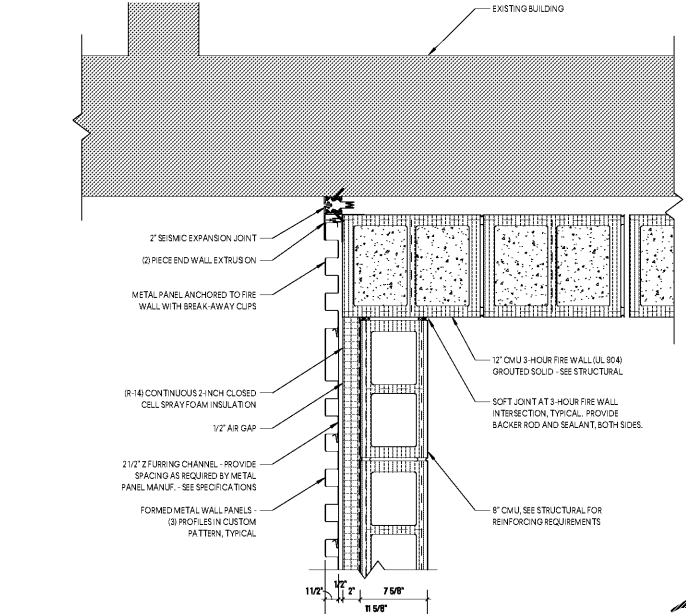


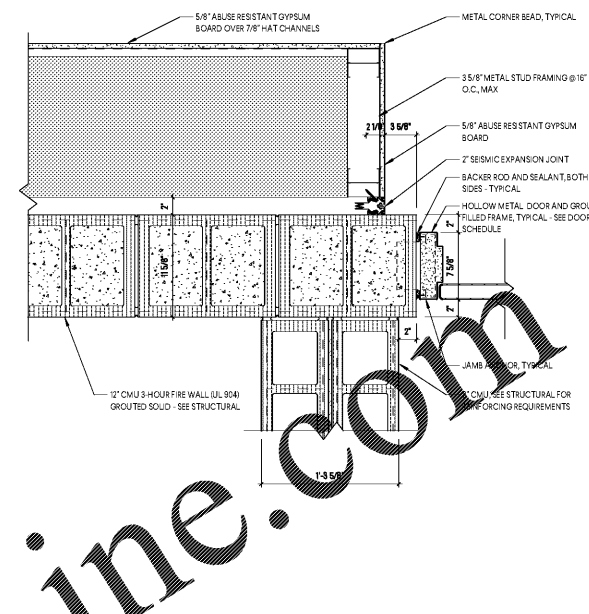
1 ENLARGED PLAN DETAIL
SCALE: 1 1/2" = 1'-0"



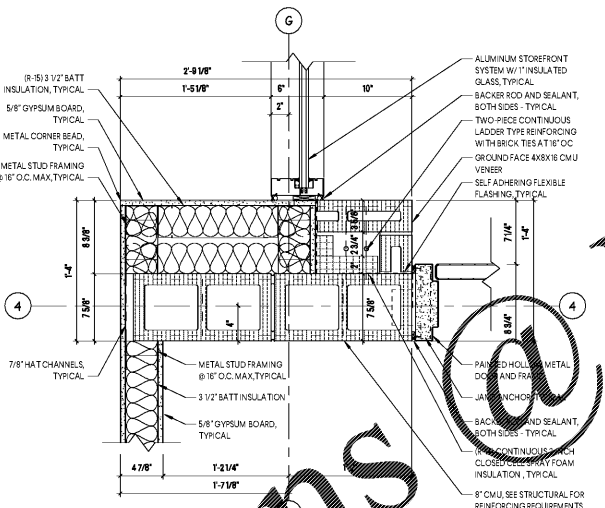
2 ENLARGED PLAN DETAIL
SCALE: 1 1/2" = 1'-0"



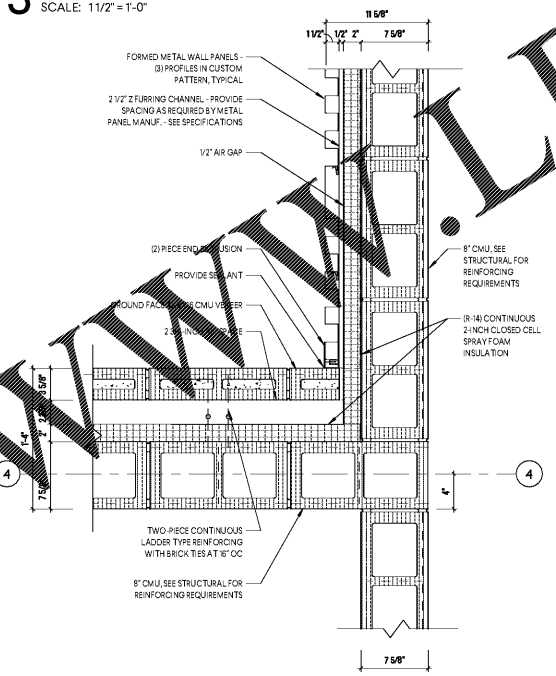
3 ENLARGED PLAN DETAIL
SCALE: 1 1/2" = 1'-0"



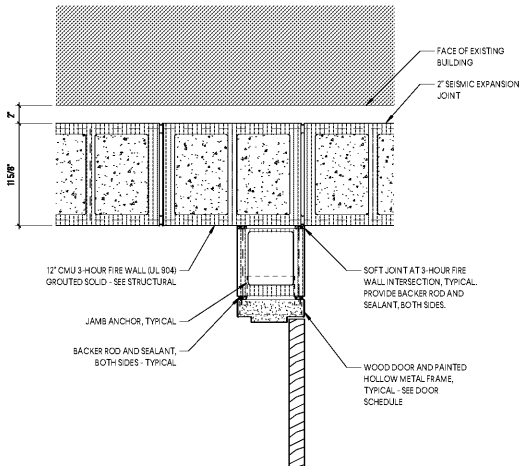
4 ENLARGED PLAN DETAIL
SCALE: 1 1/2" = 1'-0"



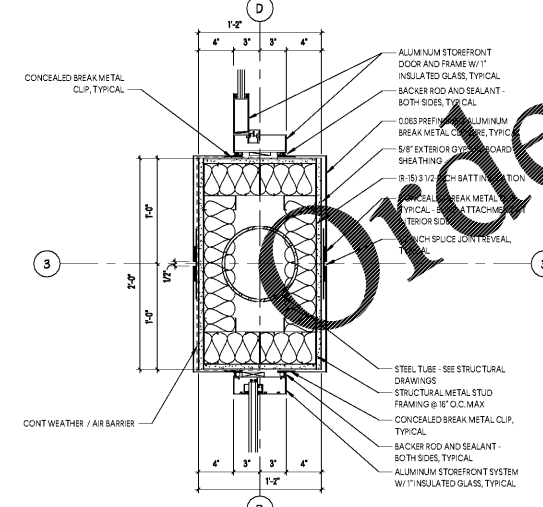
5 ENLARGED PLAN DETAIL
SCALE: 1 1/2" = 1'-0"



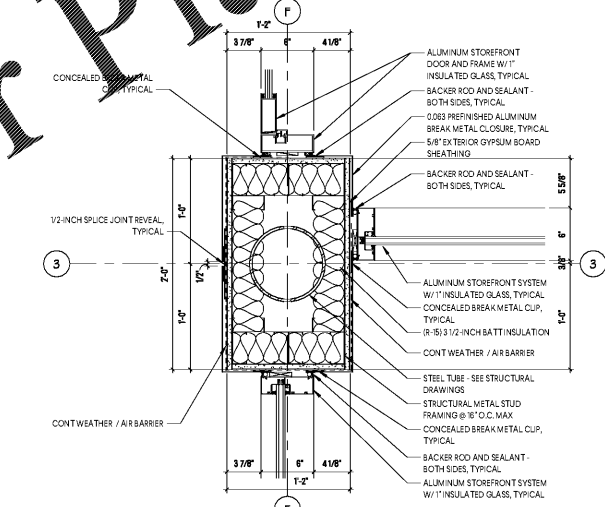
6 ENLARGED PLAN DETAIL
SCALE: 1 1/2" = 1'-0"



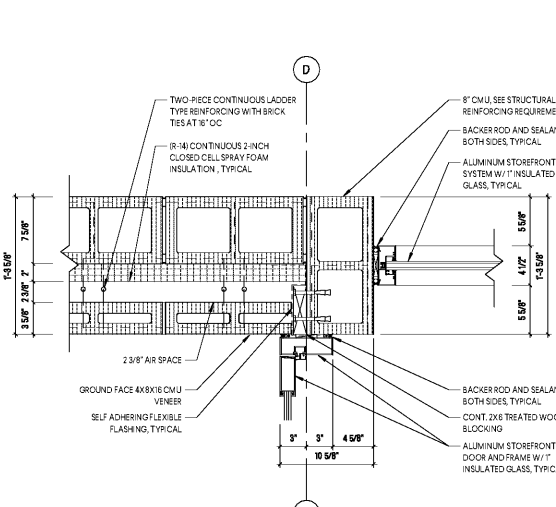
7 ENLARGED PLAN DETAIL
SCALE: 1 1/2" = 1'-0"



8 ENLARGED PLAN DETAIL
SCALE: 1 1/2" = 1'-0"



9 ENLARGED PLAN DETAIL
SCALE: 1 1/2" = 1'-0"

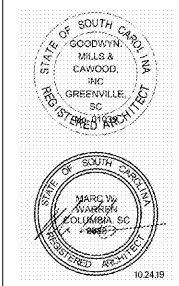


10 ENLARGED PLAN DETAIL
SCALE: 1 1/2" = 1'-0"

- GENERAL NOTES**
- A. FIELD VERIFY ALL DIMENSIONS AND CONDITIONS. GENERAL CONTRACTOR TO BRING ANY DISCREPANCIES TO THE ARCHITECTS ATTENTION IMMEDIATELY PRIOR TO PROCEEDING WITH WORK.
 - B. GENERAL CONTRACTOR TO PROTECT ALL EXISTING WORK TO REMAIN THROUGHOUT CONSTRUCTION.
 - C. PATCH AND REPAIR ALL EXISTING FINISHES, AS REQUIRED, DUE TO DEMOLITION WORK.
 - D. REFERENCE STRUCTURAL, MECHANICAL, PLUMBING, FIRE PROTECTION, AND ELECTRICAL DRAWINGS FOR ADDITIONAL RENOVATION INFORMATION.
 - E. REFERENCE STRUCTURAL DRAWINGS FOR MODIFICATIONS TO NEW OPENINGS AND NEW STRUCTURAL SUPPORT RESULTING FROM DEMOLITION.
 - F. AREAS IS NOT INCLUDED IN THE SCOPE OF WORK. NO WORK IN THIS AREA.
 - G. REFERENCE SHEETS A1.10, A1.11, AND A1.12 FOR ENLARGED REFERENCE PLANS.



1219 Wayne Street
Columbia, SC 29201
T: 803.766.1235
gmcnetwork.com



ISSUE	DATE
BID DOCUMENTS	10.24.19

MILLBROOK ELEMENTARY SCHOOL -
ADDITION AND RENOVATIONS
255 E PINE LOG RD., AIKEN, SC 29803
GMC # ACOL180004

ENLARGED PLAN DETAILS
A1.40