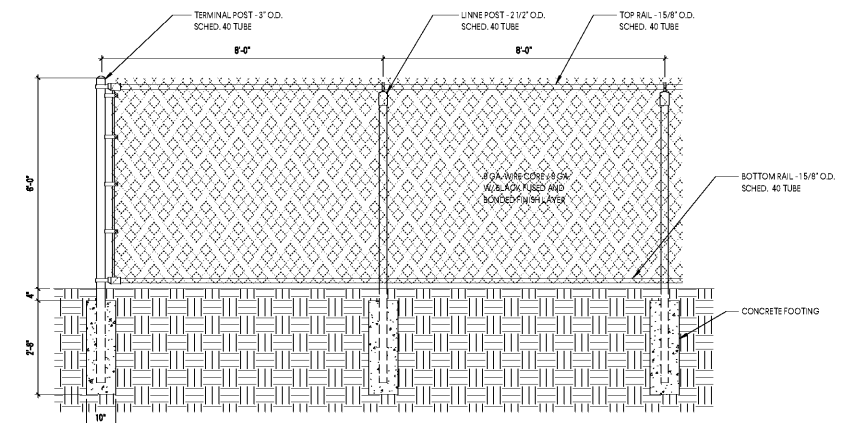
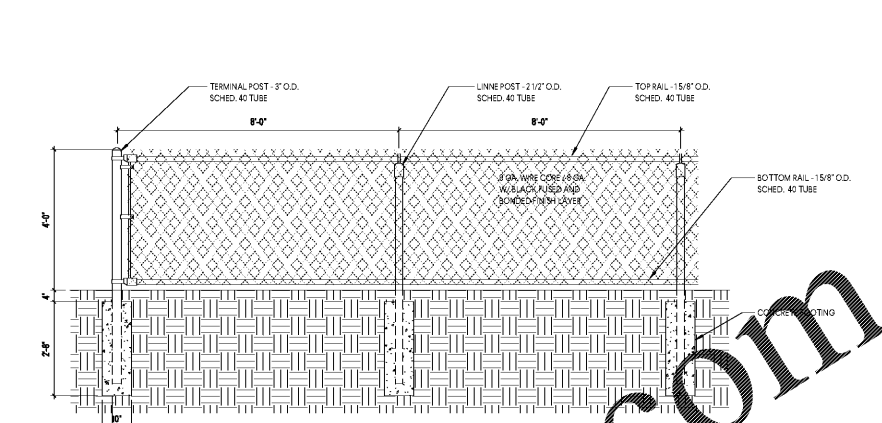


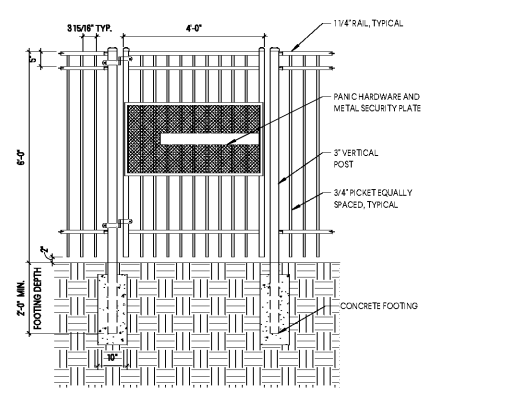
**1 AS4 - 6'-0" TALL BLACK ALUMINUM PICKET FENCE**  
SCALE: 1/2" = 1'-0"



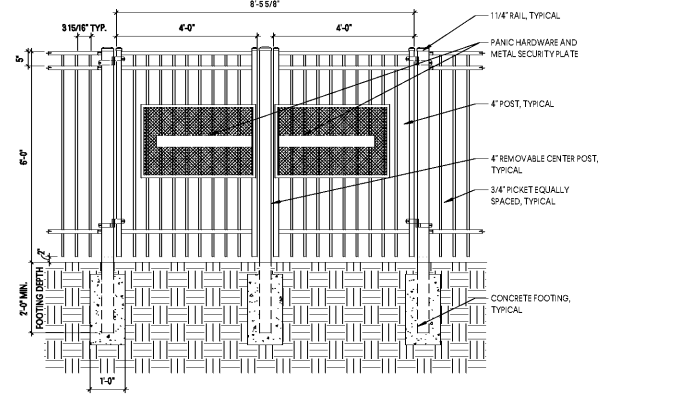
**2 AS3 - 6'-0" TALL BLACK CHAINLINK FENCE**  
SCALE: 1/2" = 1'-0"



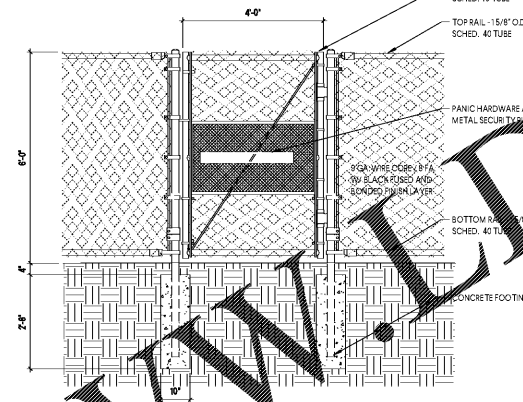
**3 AS2 - 4'-0" TALL BLACK CHAINLINK FENCE**  
SCALE: 1/2" = 1'-0"



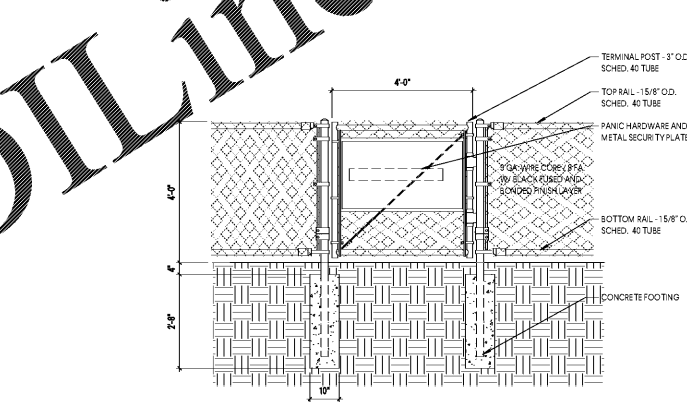
**4 AS30 - 4'-0"W x 6'-0"T BLACK ALUM. GATE**  
SCALE: 1/2" = 1'-0"



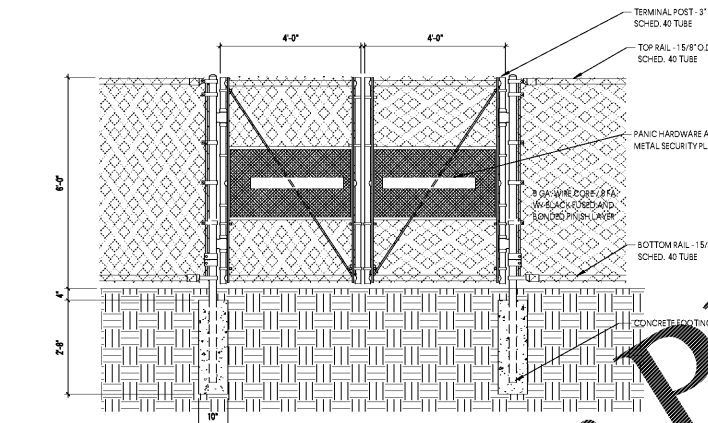
**5 AS11 - (PAIR) 4'-0"W x 6'-0"T BLACK ALUM. PICKET GATE**  
SCALE: 1/2" = 1'-0"



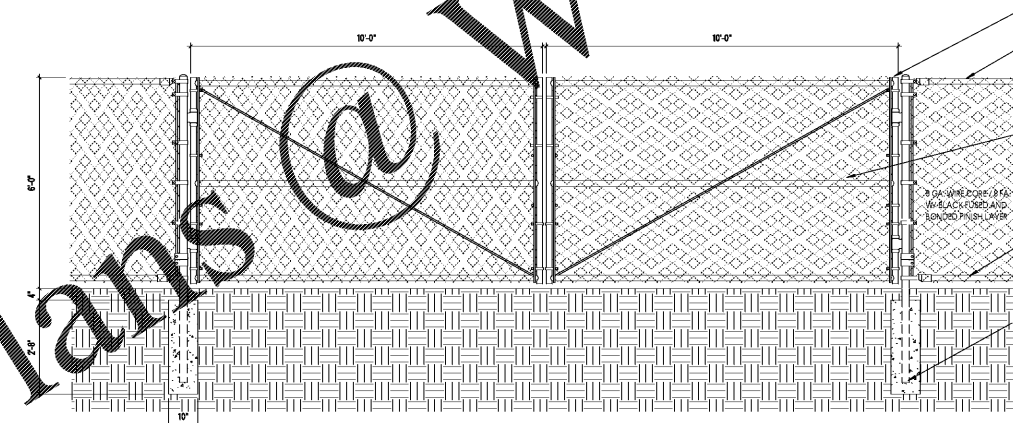
**6 AS6 - 4'-0"W x 6'-0"T BLACK CHAIN LINK GATE**  
SCALE: 1/2" = 1'-0"



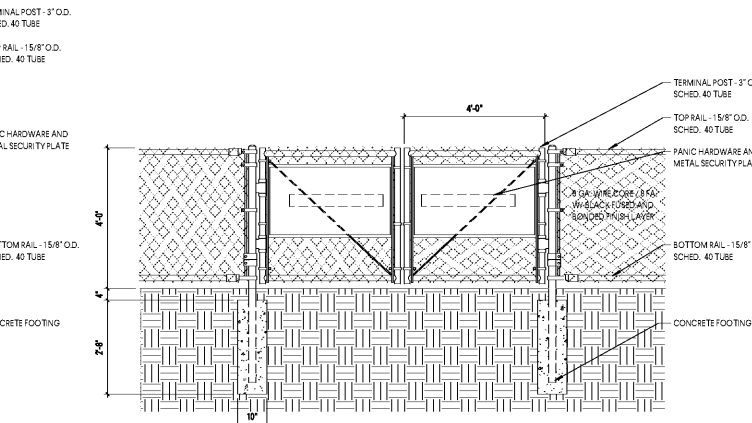
**7 AS8 - 4'-0"W x 4'-0"T BLACK CHAIN LINK GATE**  
SCALE: 1/2" = 1'-0"



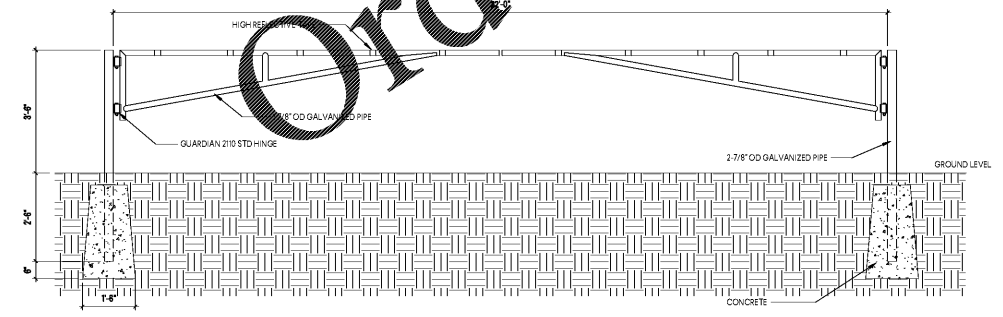
**8 AS10 - (PAIR) 4'-0"W x 6'-0"T BLACK CHAIN LINK GATE**  
SCALE: 1/2" = 1'-0"



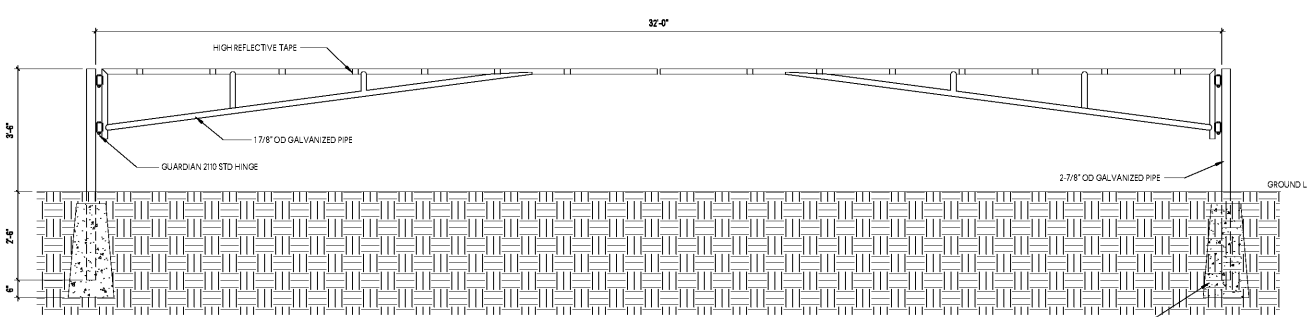
**9 AS12 - (PAIR) 10'-0"W x 6'-0"T BLACK CHAIN LINK GATE**  
SCALE: 1/2" = 1'-0"



**10 AS36 - (PAIR) 4'-0"W x 4'-0"T BLACK CHAIN LINK GATE**  
SCALE: 1/2" = 1'-0"



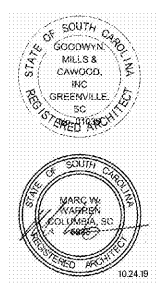
**11 AS5 - (PAIR) 11'-0" WIDE MANUAL SWING GATE**  
SCALE: 1/2" = 1'-0"



**12 AS6 - (PAIR) 11'-0" WIDE MANUAL SWING GATE**  
SCALE: 1/2" = 1'-0"



1219 Wayne Street  
Columbia, SC 29201  
T 803.766.1235  
GMCNETWORK.COM



ISSUE DATE	DATE
BID DOCUMENTS	10.24.19

MILLBROOK ELEMENTARY  
SCHOOL - ADDITION AND  
RENOVATIONS  
255 E PINE LOG RD, AIKEN, SC 29803  
GMC # ACOL180004

FENCE AND GATE  
DETAILS  
**AS1.10**