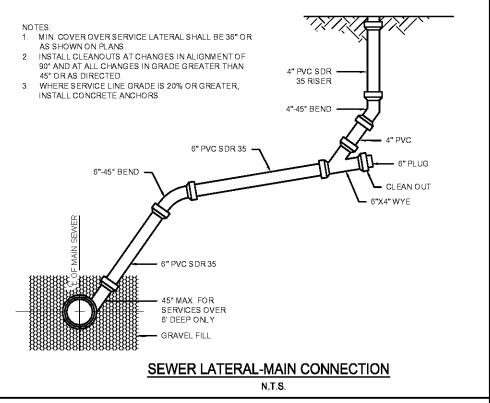
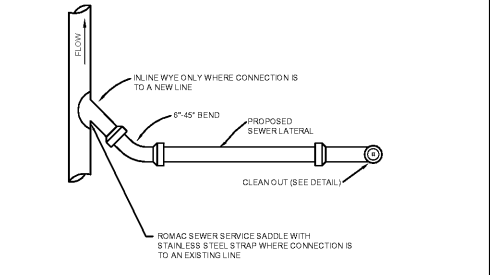
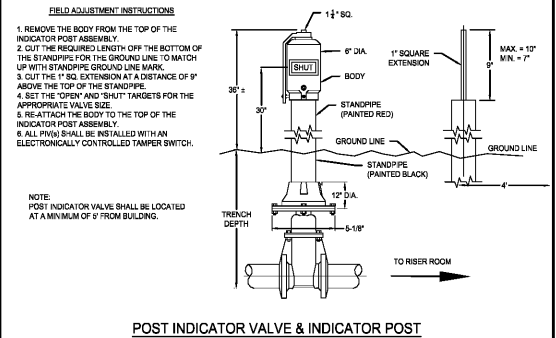


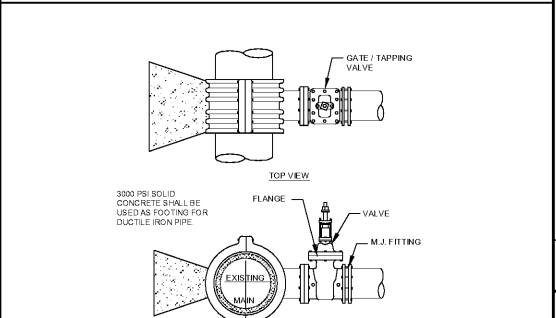
**CLEANOUT**  
N.T.S.



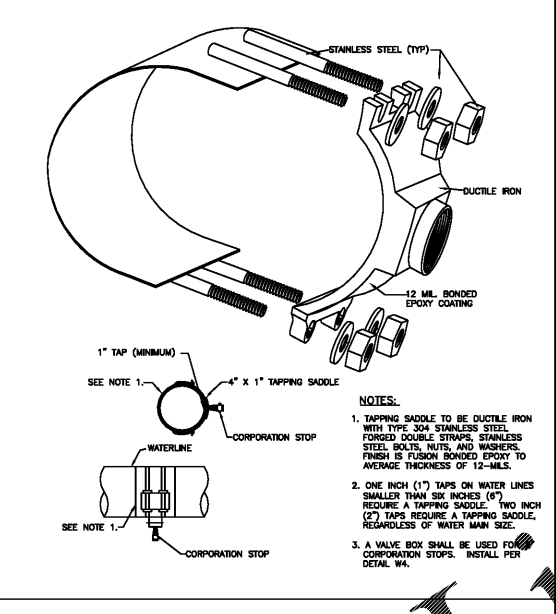
**SEWER LATERAL-MAIN CONNECTION**  
N.T.S.



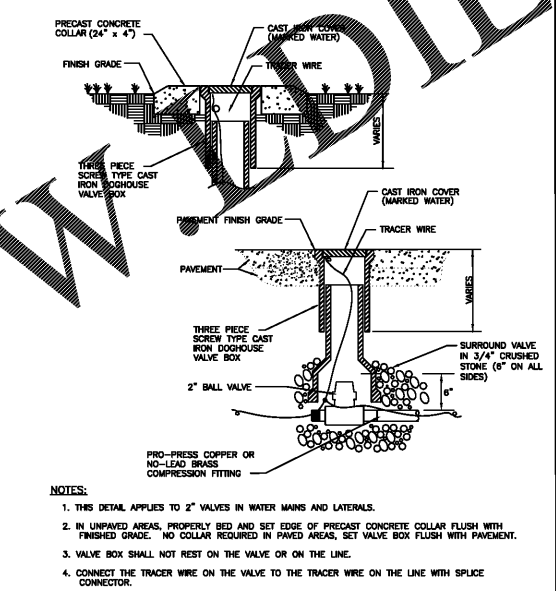
**POST INDICATOR VALVE & INDICATOR POST**  
N.T.S.



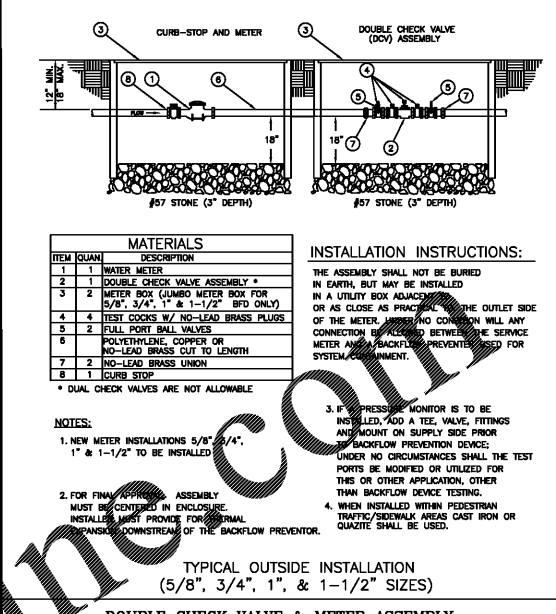
**TAPPING SLEEVE AND VALVE**  
N.T.S.



**1" & 2" WATER TAPPING SADDLE**



**2" WATER VALVE AND VALVE BOX**



**MATERIALS**

ITEM	QUAN.	DESCRIPTION
1	1	WATER METER
2	1	DOUBLE CHECK VALVE ASSEMBLY
3	2	METER BOX (JUMBO METER BOX FOR 5/8", 3/4", 1" & 1-1/2" BFD ONLY)
4	4	TEST COCKS W/ NO-LEAD BRASS PLUGS
5	2	DUAL PORT BALL VALVES
6		POLYETHYLENE COPPER OR NO-LEAD BRASS UNION
7	2	NO-LEAD BRASS UNION
8	1	CURB STOP

\* DUAL CHECK VALVES ARE NOT ALLOWABLE

**INSTALLATION INSTRUCTIONS:**

THE ASSEMBLY SHALL NOT BE BURIED IN EARTH, BUT MAY BE INSTALLED IN A UTILITY BOX ADJACENT TO OR AS CLOSE AS PRACTICABLE TO THE OUTLET SIDE OF THE METER. NO CONNECTION WILL ANY CONNECTION BE MADE BETWEEN SERVICE METER AND BACKFLOW PREVENTER FOR SYSTEM CONTAMINATION.

3. IF A PRESSURE MONITOR IS TO BE INSTALLED, ADD A TEE, VALVE, FITTINGS AND MOUNT ON SUPPLY SIDE PRIOR TO BACKFLOW PREVENTION DEVICE. UNDER NO CIRCUMSTANCES SHALL THE TEST PORTS BE MODIFIED OR UTILIZED FOR THIS OR OTHER APPLICATION, OTHER THAN BACKFLOW DEVICE TESTING.

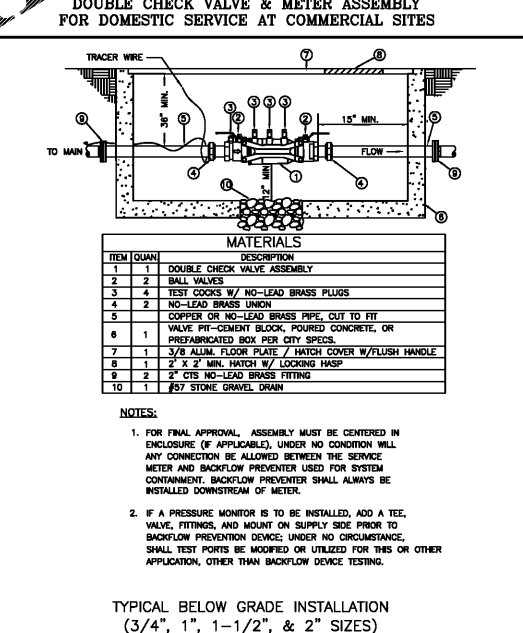
4. WHEN INSTALLED WITHIN PEDESTRIAN TRAFFIC/VEHICULAR AREAS CAST IRON OR QUARTZITE SHALL BE USED.

**NOTES:**

1. NEW METER INSTALLATIONS 5/8", 3/4", 1" & 1-1/2" TO BE INSTALLED.

2. FOR FINAL APPROVAL, ASSEMBLY MUST BE CENTERED IN ENCLOSURE. INSTALLATION MUST PROVIDE FOR A MINIMUM 18" SPACING DOWNSTREAM OF THE BACKFLOW PREVENTOR.

**TYPICAL OUTSIDE INSTALLATION**  
(5/8", 3/4", 1", & 1-1/2" SIZES)



**MATERIALS**

ITEM	QUAN.	DESCRIPTION
1	1	DOUBLE CHECK VALVE ASSEMBLY
2	2	BALL VALVES
3	4	TEST COCKS W/ NO-LEAD BRASS PLUGS
4	2	NO-LEAD BRASS UNION
5		COPPER OR NO-LEAD BRASS PIPE, CUT TO FIT
6	1	VALVE FIT-CEMENT BLOCK, POURED CONCRETE, OR PRESABRICATED BOX FOR CITY SPEC.
7	1	3/8" ALUM. FLOOR PLATE / HATCH COVER W/ FLUSH HANDLE
8	1	2" X 2" MIN. HATCH W/ LOCKING HASP
9	2	2" OR NO-LEAD BRASS FITTING
10	1	#57 STONE GRAVEL DRAIN

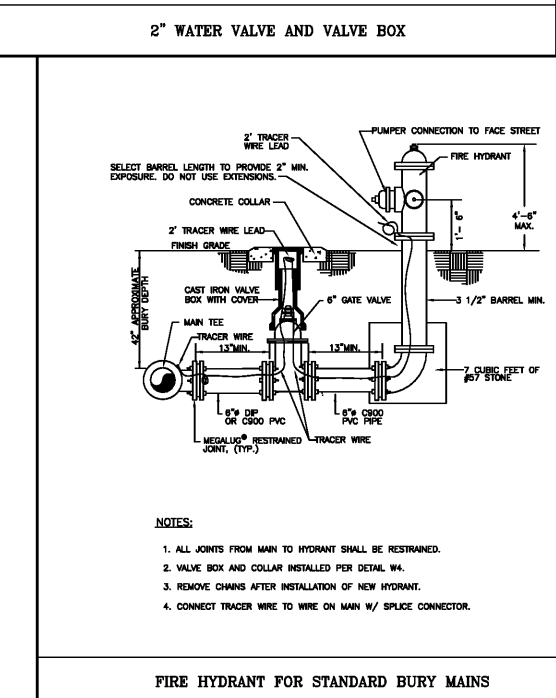
**NOTES:**

1. FOR FINAL APPROVAL, ASSEMBLY MUST BE CENTERED IN ENCLOSURE (IF APPLICABLE), UNDER NO CONDITION WILL ANY CONNECTION BE ALLOWED BETWEEN THE SERVICE METER AND BACKFLOW PREVENTER USED FOR SYSTEM CONTAMINATION. BACKFLOW PREVENTER SHALL ALWAYS BE INSTALLED DOWNSTREAM OF METER.

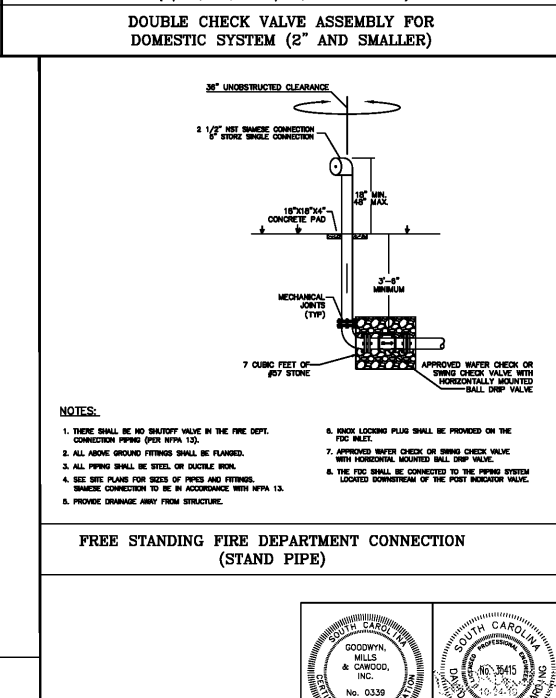
2. IF A PRESSURE MONITOR IS TO BE INSTALLED, ADD A TEE, VALVE, FITTINGS, AND MOUNT ON SUPPLY SIDE PRIOR TO BACKFLOW PREVENTION DEVICE; UNDER NO CIRCUMSTANCE, SHALL TEST PORTS BE MODIFIED OR UTILIZED FOR THIS OR OTHER APPLICATION, OTHER THAN BACKFLOW DEVICE TESTING.

**TYPICAL BELOW GRADE INSTALLATION**  
(3/4", 1", 1-1/2", & 2" SIZES)

**DOUBLE CHECK VALVE ASSEMBLY FOR DOMESTIC SYSTEM (2" AND SMALLER)**



**FIRE HYDRANT FOR STANDARD BURY MAINS**



**NOTES:**

1. THERE SHALL BE NO SHORNEY VALVE IN THE FIRE DEPT. CONNECTION PIPING (NFA 13).

2. ALL ABOVE GROUND FITTINGS SHALL BE FLANGED.

3. ALL PIPING SHALL BE SIZED OR DUCTILE IRON.

4. USE THE PLANS FOR SIZES OF PIPES AND FITTINGS. MAKE CONNECTION TO BE IN ACCORDANCE WITH NFA 13.

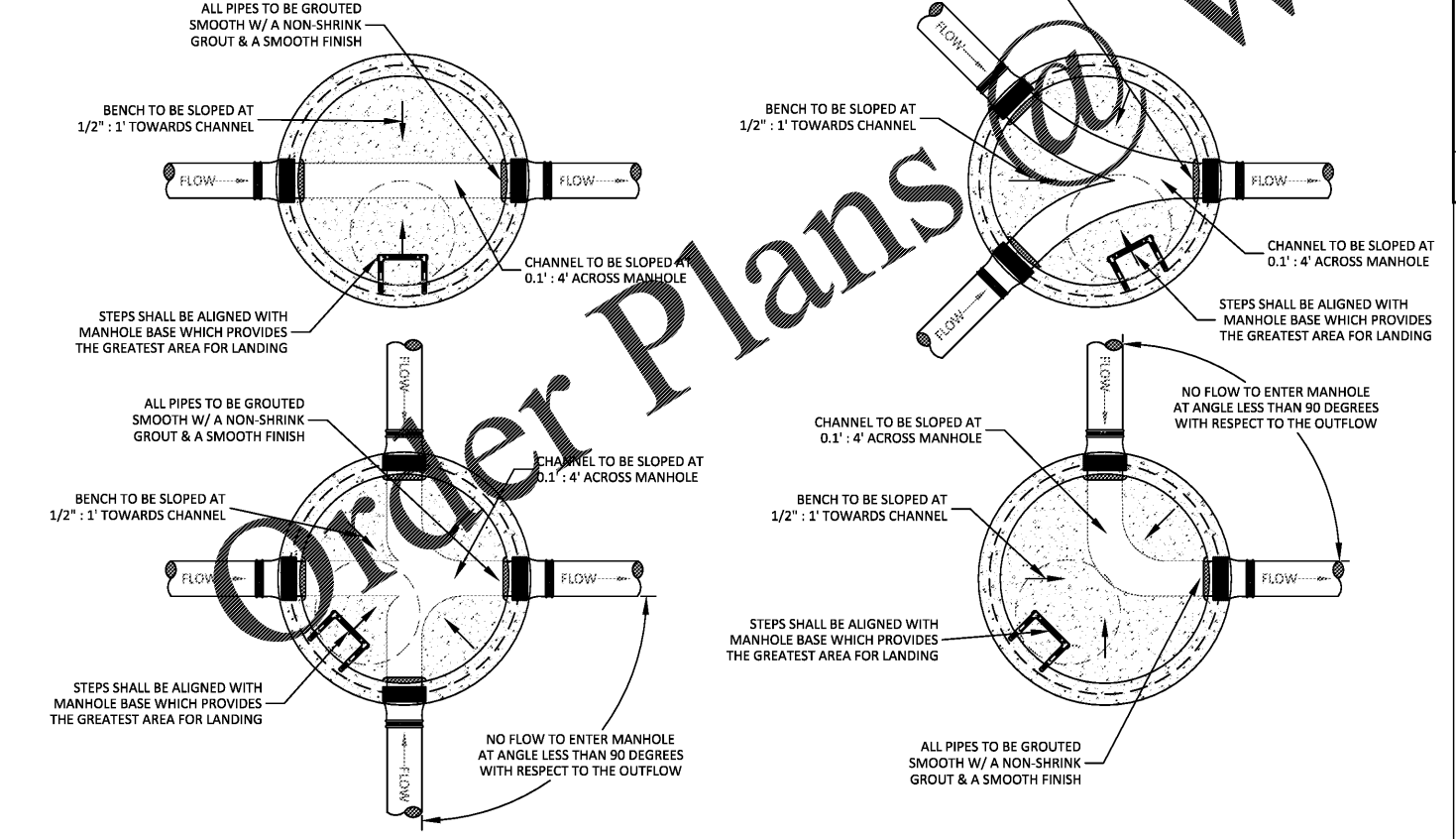
5. PROVIDE DRAINAGE AWAY FROM STRUCTURE.

6. BOX LOCKING PLUG SHALL BE PROVIDED ON THE FDC INLET.

7. APPROVED WATER CHECK OR SPRING CHECK VALVE WITH HORIZONTAL MOUNTED BALL DRIP VALVE.

8. THE FDC SHALL BE CONNECTED TO THE PIPING SYSTEM LOCATED DOWNSTREAM OF THE PORT INDOOR VALVE.

**FREE STANDING FIRE DEPARTMENT CONNECTION (STAND PIPE)**



**SEWER MANHOLE INVERT ROUTING**



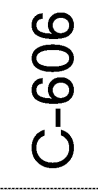
617 East McBee Ave  
Suite 200  
Greenville, SC 29601  
T 864.527.0480  
GMCNETWORK.COM

**ISSUE DATE**

ISSUE	DATE	DESCRIPTION
1	10/24/19	BID DOCUMENTS

MILLBROOK ELEMENTARY  
SCHOOL - ADDITIONS AND  
RENOVATIONS  
255 E PINE LOG RD., AIKEN, SC 29803  
GMC # CG190013

**DETAILS**



DRAWING FILE W:\Projects\...\_and Development\32732\CG190013 Aiken Millbrook Elementary Renovations\32732\_CG190013\_Detailed.rvt  
PLOT FILE: CG190013.rvt