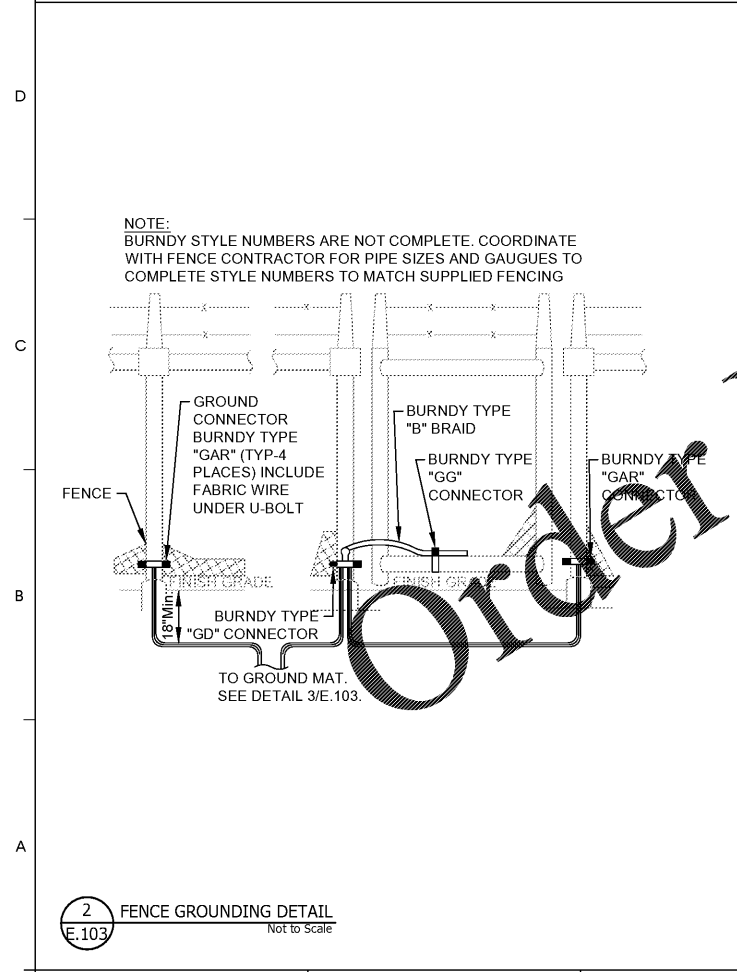
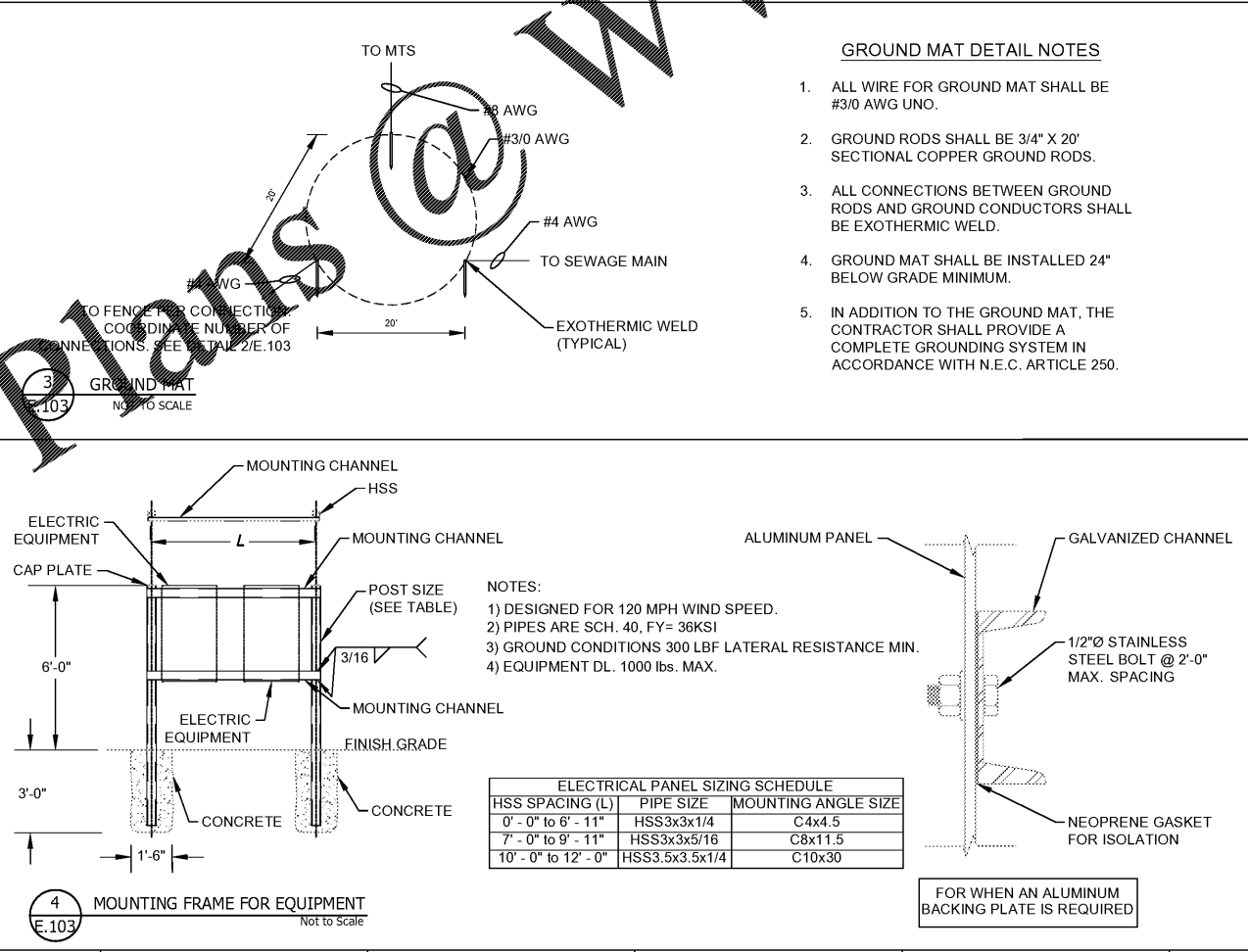


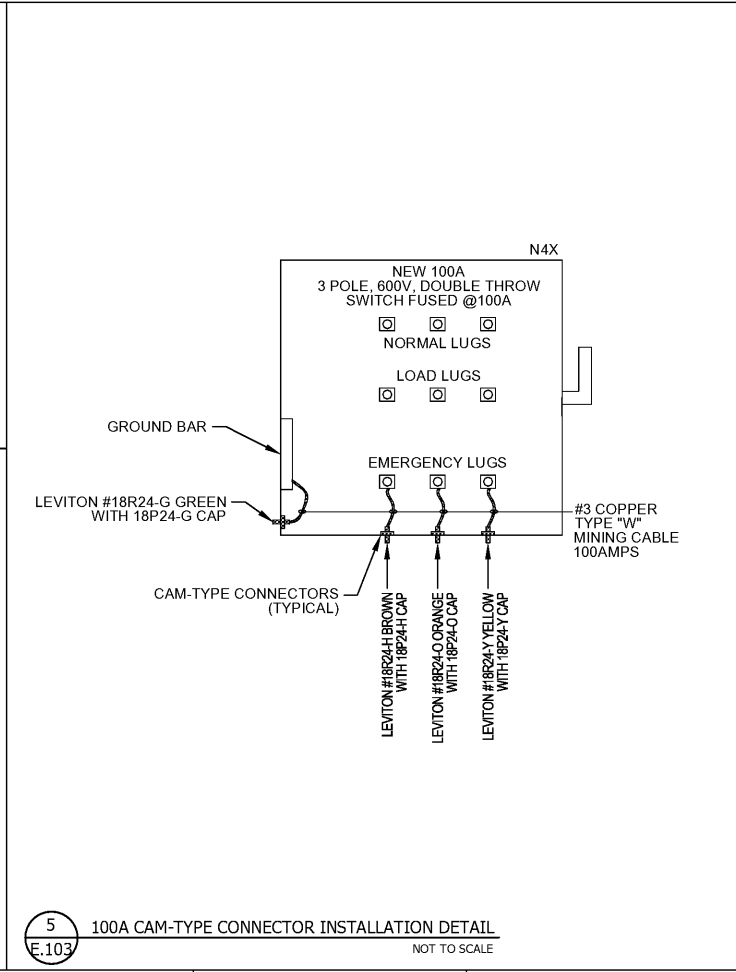
1 MAIN RISER DIAGRAM  
E.103 Not To Scale



2 FENCE GROUNDING DETAIL  
E.103 Not to Scale



4 MOUNTING FRAME FOR EQUIPMENT  
E.103 Not to Scale



5 100A CAM-TYPE CONNECTOR INSTALLATION DETAIL  
E.103 NOT TO SCALE

WWW.LDOLINE.COM

**GMC**

6120 Powers Ferry Road NW, Suite 350  
Atlanta, GA 30339  
T 770.952.2481  
GMCNETWORK.COM

ISSUE	DATE
PRELIMINARY	08.15.2019
75% SUBMITTAL	10.01.2019
BID READY	10.18.2019

DRAWN BY: JRD  
CHECKED BY: MGD, JEA

NORTHGATE HIGH SCHOOL  
SANITARY SEWER  
COWETA COUNTY WATER AND  
SEWERAGE AUTHORITY

CATL190025

**ELECTRICAL RISER  
DIAGRAM & DETAILS**

**E.103**  
Sheet of