

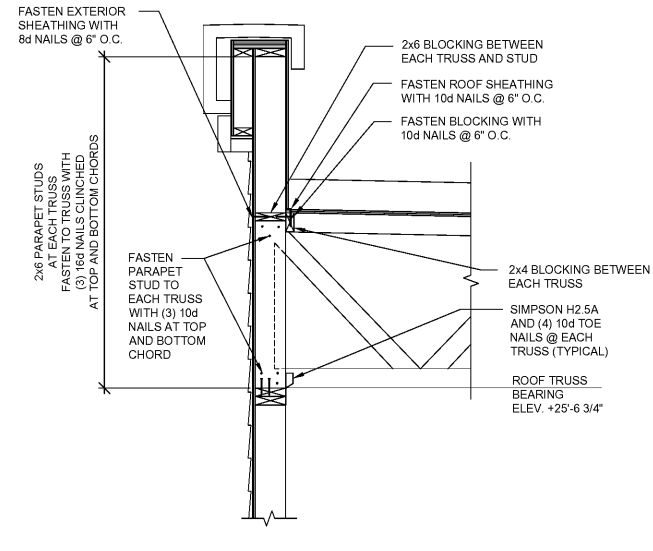
ISSUED FOR BID
 NOT FOR CONSTRUCTION
 10-22-19

REVISIONS	
NO.	DATE

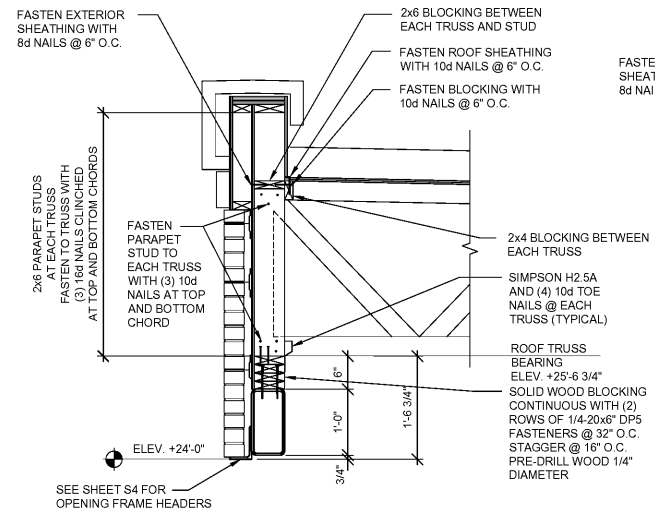
BH PECAN, LLC
 900 PECAN AVENUE
 CHARLOTTE, NORTH CAROLINA 28205

Project No: _____
 Scale: 1923
 Date Drawn 10/22/19
 Sheet Title
FRAMING DETAILS

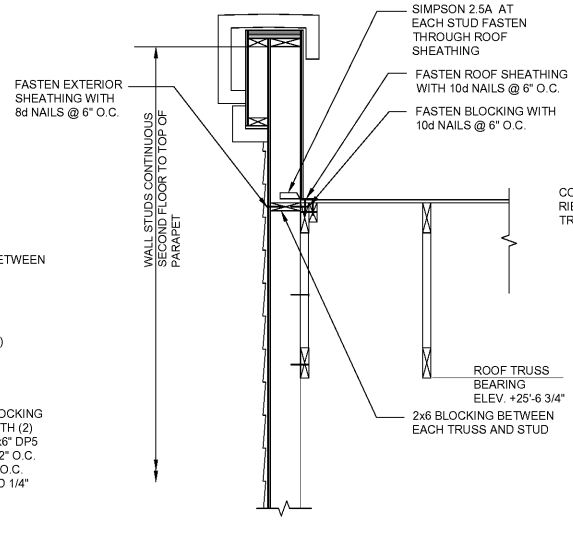
S-8



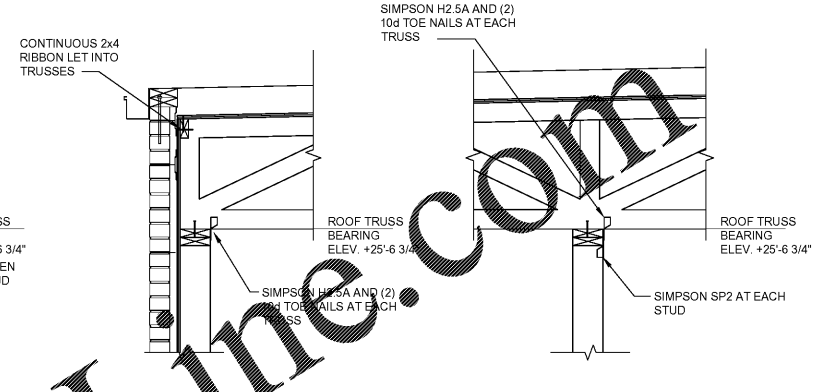
1 SECTION
 S8 SCALE: 3/4"=1'-0"



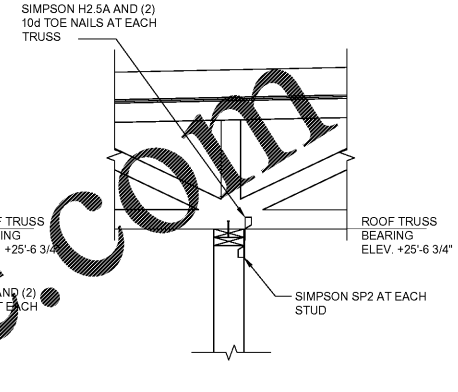
2 SECTION
 S8 SCALE: 3/4"=1'-0"



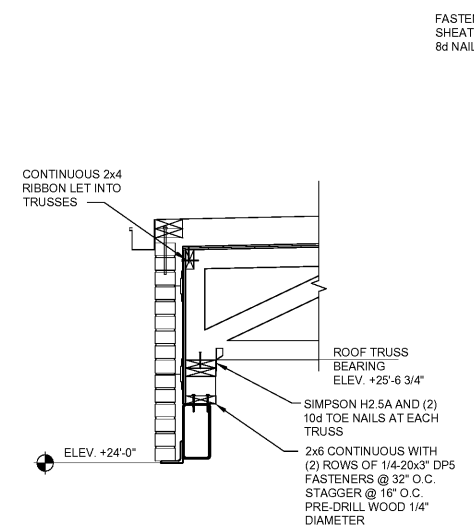
3 SECTION
 S8 SCALE: 3/4"=1'-0"



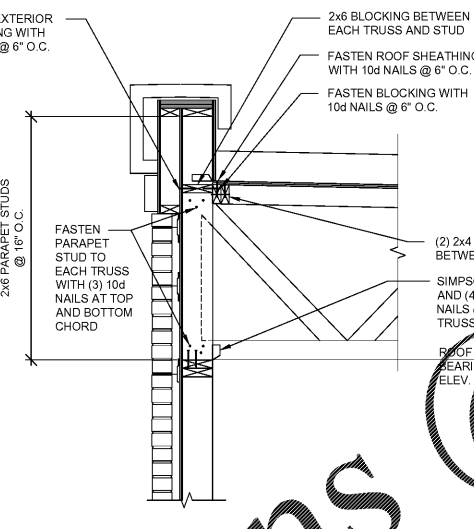
4 SECTION
 S8 SCALE: 3/4"=1'-0"



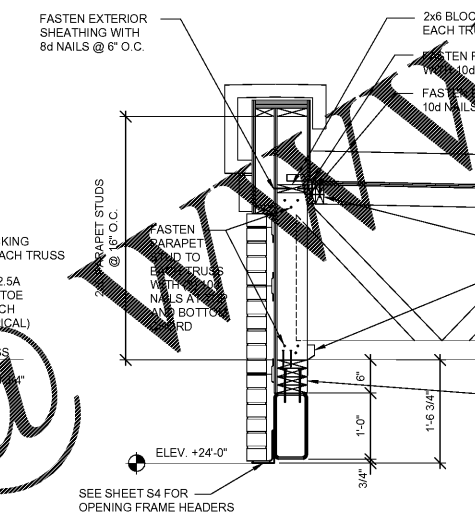
5 SECTION
 S8 SCALE: 3/4"=1'-0"



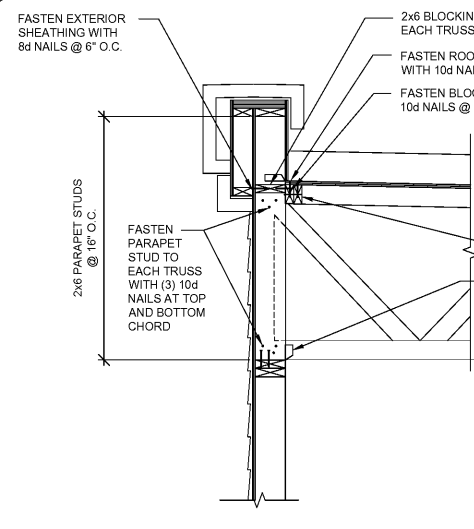
6 SECTION
 S8 SCALE: 3/4"=1'-0"



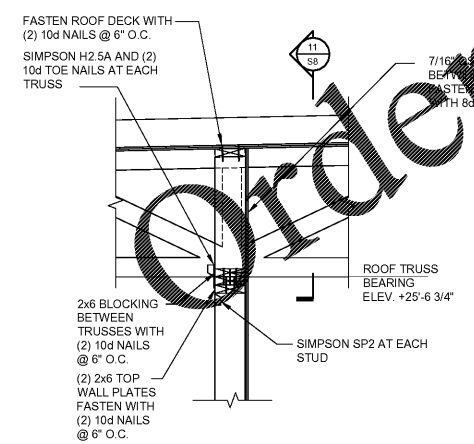
7 SECTION
 S8 SCALE: 3/4"=1'-0"



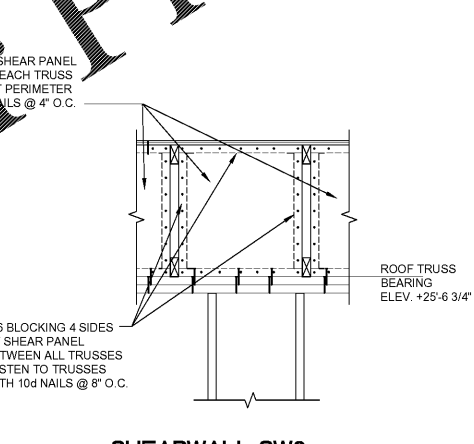
8 SECTION
 S8 SCALE: 3/4"=1'-0"



9 SECTION
 S8 SCALE: 3/4"=1'-0"



10 SECTION
 S8 SCALE: 3/4"=1'-0"



11 SHEARWALL SW2 SHEAR PANEL DETAIL AT ROOF
 S8 SCALE: 3/4"=1'-0"

WWW.LDILLIEME.COM

Order Plans