

ISSUED FOR BID  
NOT FOR  
CONSTRUCTION  
10-22-19

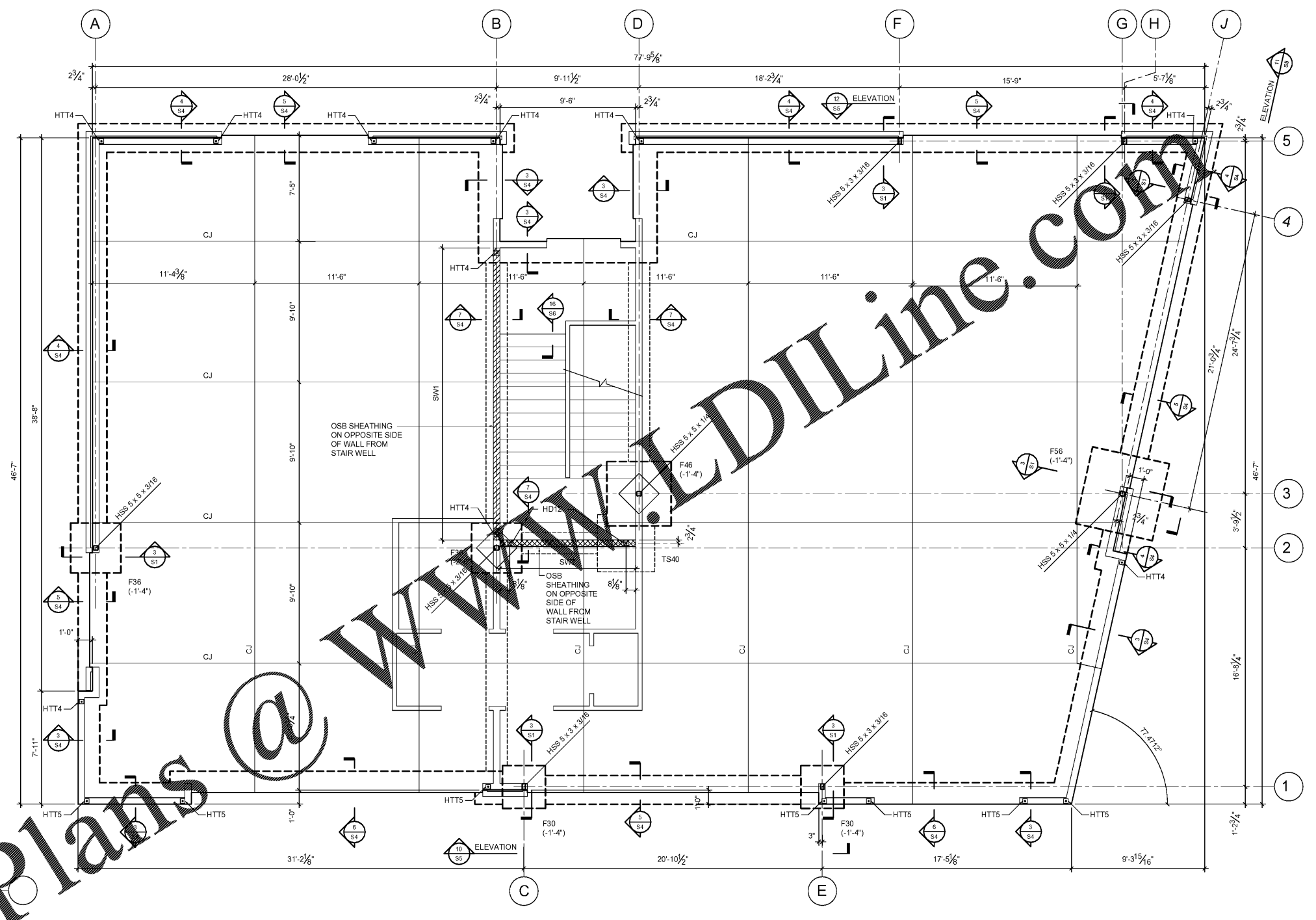
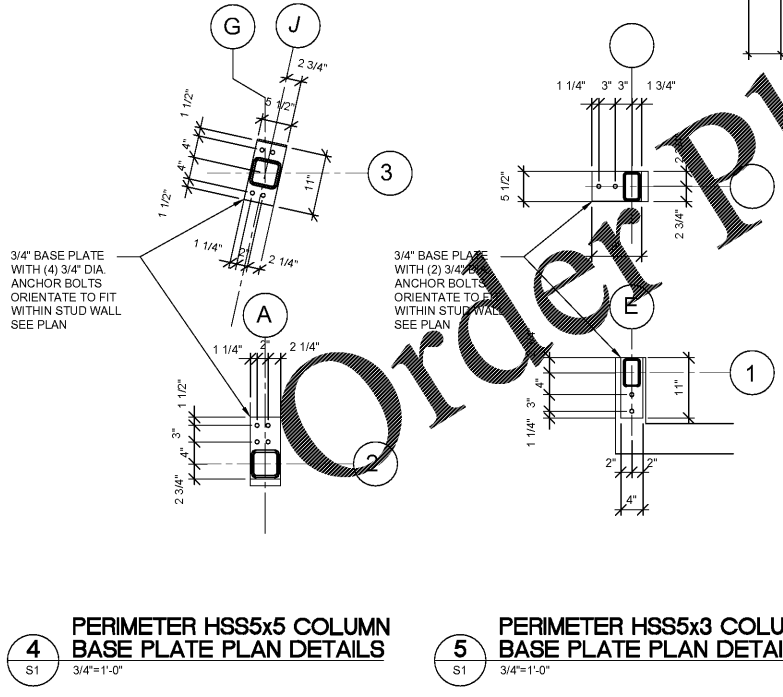
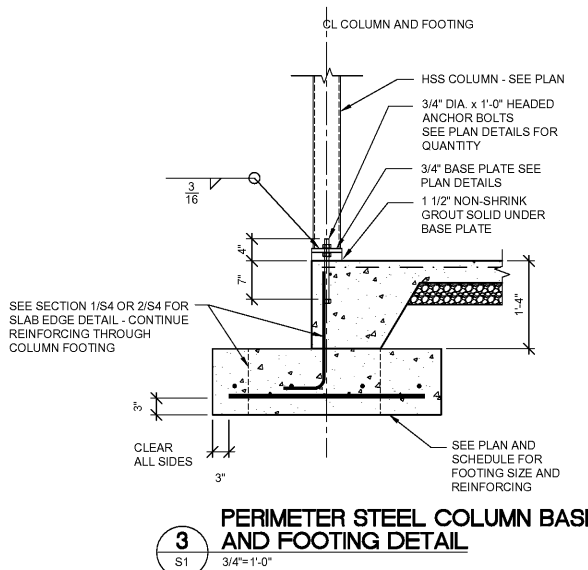
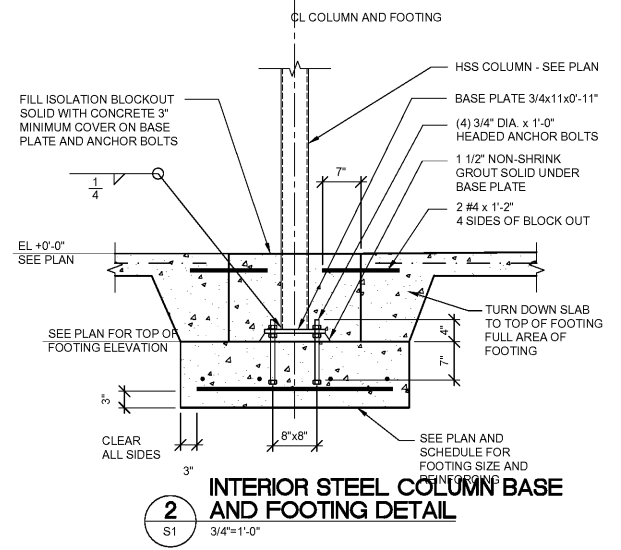
REVISIONS	
NO.	DATE

**BH PECAN, LLC**  
900 PECAN AVENUE  
CHARLOTTE, NORTH CAROLINA 28205

Project No:  
Scale: 1923  
Date Drawn 10/22/19  
Sheet Title

**FOUNDATION PLAN**

**S-1**



FOOTING SCHEDULE (2000 PSF)		
FOOTING TYPE	FOOTING SIZE	REINFORCING
F30	3'-0" x 3'-0" x 12" THICK	4 #5 x 2'-6" EACH WAY BOTTOM
F36	3'-6" x 3'-6" x 12" THICK	4 #5 x 3'-0" EACH WAY BOTTOM
F46	4'-6" x 4'-6" x 12" THICK	5 #5 x 4'-0" EACH WAY BOTTOM
F56	5'-6" x 5'-6" x 16" THICK	6 #5 x 5'-0" EACH WAY BOTTOM
TS40	4'-0" x 4'-0" x 16" THICK THICKENED SLAB	5 #5 EACH WAY BOTTOM

- FOUNDATION PLAN NOTES:**
- SEE SHEET S4 FOR GENERAL NOTES.
  - SEE ARCHITECTURAL DRAWINGS FOR PLAN DIMENSIONS OF ALL WALLS AND WALL OPENINGS.
  - CJ INDICATES SAWED 1/8" WIDE x 1" DEEP SAWED CONTRACTION JOINT IN SLAB ON GRADE - SEE 3/S4 AND 4/S4.
  - TOP OF SLAB ELEVATION = PROJECT DATUM ELEVATION +0'-0".
  - TOP OF FOOTING ELEVATION = -1'-4" UNLESS NOTED OTHERWISE.
  - PERIMETER AND INTERIOR BEARING WALL STUDS SHALL BE 2x6 @ 16" O.C.
  - F30 INDICATES FOOTING TYPE - SEE SCHEDULE THIS SHEET (-0'-8").
  - F36 INDICATES TOP OF FOOTING ELEVATION BELOW FINISH FLOOR EL + 0'-0".
  - HTT4 INDICATES SIMPSON HTT4 HOLD DOWN - SEE DETAIL 10/S4.
  - HTT5 INDICATES SIMPSON HTT5 HOLD DOWN - SEE DETAIL 11/S4.
  - HD12 INDICATES SIMPSON HD12 HOLD DOWN - SEE DETAIL 12/S4.

- EXTERIOR SHEATHING NOTES:**
- EXTERIOR WALL SHEATHING SHALL BE 7/16" ORIENTATED STRAND BOARD (OSB). SHEATHING SHALL BE FASTENED WITH 8d NAILS @ 6" O.C. AT PANEL EDGES AND @ 12" O.C. TO FRAMING AT PANEL INTERIOR. PROVIDE CONTINUOUS 2x BLOCKING AT ALL HORIZONTAL PANEL JOINTS.
  - EPOXY GROUT FOR ANCHOR BOLTS SHALL BE AS MANUFACTURED BY HILTI OR APPROVED EQUIVALENT. HOLE PREPARATION AND ADHESIVE INSTALLATION SHALL BE IN ACCORDANCE WITH THE MANUFACTURER'S INSTRUCTIONS. ANCHOR BOLT DIA. HILTI GROUT TYPE < 1" DIA. HILTI HIT-HY 200 HILTI HIT-RE 500
  - ALL NAILS FOR SHEAR WALL SHEATHING AND BRACING CONNECTIONS SHALL BE COMMON NAILS.

- INTERIOR SHEAR WALL NOTES:**
- SW1 [ ] FOUNDATION TO ROOF:  
WALL STUDS 1/2" DIA. EPOXY ANCHOR @ 16" O.C.  
SILL PLATE ANCHORAGE 7/16" OSB ONE SIDE OF WALL FOUNDATION TO UNDERSIDE OF ROOF DECK FASTENED WITH 8d NAILS @ 6" O.C. AT PANEL EDGES AND @ 12" O.C. TO FRAMING AT PANEL INTERIOR. PROVIDE CONTINUOUS 2x6 BLOCKING AT ALL HORIZONTAL PANEL JOINTS.
- SW2 [ ] FOUNDATION TO SECOND FLOOR:  
WALL STUDS (2) 2x6 @ 16" O.C. FASTEN STUDS WITH 12d NAILS @ 8" O.C.  
SILL PLATE ANCHORAGE 1/2" DIA. EPOXY ANCHOR @ 16" O.C.  
WALL SHEATHING 7/16" OSB ONE SIDE OF WALL FOUNDATION TO UNDERSIDE OF 2ND FLOOR DECK FASTENED WITH 8d NAILS @ 3" O.C. AT PANEL EDGES AND @ 12" O.C. TO FRAMING AT PANEL INTERIOR. PROVIDE CONTINUOUS 4x6 BLOCKING AT ALL HORIZONTAL PANEL JOINTS.
- SECOND FLOOR TO ROOF:  
WALL STUDS 2x6 @ 16" O.C.  
SILL PLATE ANCHORAGE 1/2" DIA. EPOXY ANCHOR @ 16" O.C.  
WALL SHEATHING 7/16" OSB ONE SIDE OF WALL 2ND FLOOR TO UNDERSIDE OF ROOF DECK FASTENED WITH 8d NAILS @ 4" O.C. AT PANEL EDGES AND @ 12" O.C. TO FRAMING AT PANEL INTERIOR. PROVIDE CONTINUOUS 2x6 BLOCKING AT ALL HORIZONTAL PANEL JOINTS.