

ROOM FINISH SCHEDULE

NO.	ROOM NAME	FLOOR	FINISH	BASE	WALL	FINISH	CEILING	FINISH	CEILING HEIGHT	REMARKS	NO.
101	FUTURE TENANT	CONC.	EXPOSED	NONE	GYPSON BOARD	NONE	ACOUSTICAL CEILING	PRE-FINISHED	11'-0"	SEE ALSO ROOM FINISH NOTES	101
102	FUTURE TENANT	CONC.	EXPOSED	NONE	GYPSON BOARD	NONE	ACOUSTICAL CEILING	PRE-FINISHED	11'-0"	SEE ALSO ROOM FINISH NOTES	102
103	MEN	CONC.	LVT	VINYL	GYPSON BOARD	EPOXY PAINT	ACOUSTICAL CEILING	PRE-FINISHED	8'-0"	SEE ALSO ROOM FINISH NOTES	103
104	WOMEN	CONC.	LVT	VINYL	GYPSON BOARD	EPOXY PAINT	ACOUSTICAL CEILING	PRE-FINISHED	8'-0"	SEE ALSO ROOM FINISH NOTES	104
105	JANITOR	CONC.	LVT	VINYL	GYPSON BOARD	EPOXY PAINT	ACOUSTICAL CEILING	PRE-FINISHED	8'-0"	SEE ALSO ROOM FINISH NOTES	105
106	VESTIBULE	CONC.	LVT	VINYL	GYPSON BOARD	EPOXY PAINT	ACOUSTICAL CEILING	PRE-FINISHED	8'-0"	SEE ALSO ROOM FINISH NOTES	106
107	STAIR	WOOD	STAIN & POLYURETHANE	WOOD	GYPSON BOARD	PAINT	GYPSON BOARD	PAINT	25'-6 3/4"	SEE ALSO ROOM FINISH NOTES	107
201	FUTURE TENANT	GYPCRETE	EXPOSED	NONE	GYPSON BOARD	NONE	ACOUSTICAL CEILING	PRE-FINISHED	10'-0"	SEE ALSO ROOM FINISH NOTES	201
202	MEN	GYPCRETE	LVT	VINYL	GYPSON BOARD	EPOXY PAINT	ACOUSTICAL CEILING	PRE-FINISHED	8'-0"	SEE ALSO ROOM FINISH NOTES	202
203	STAIR	WOOD	STAIN & POLYURETHANE	WOOD	GYPSON BOARD	PAINT	GYPSON BOARD	PAINT	25'-6 3/4"	SEE ALSO ROOM FINISH NOTES	203
204	WOMEN	GYPCRETE	LVT	VINYL	GYPSON BOARD	EPOXY PAINT	ACOUSTICAL CEILING	PRE-FINISHED	8'-0"	SEE ALSO ROOM FINISH NOTES	204

ROOM FINISH NOTES

- G.C. TO VERIFY ALL INTERIOR FINISHES WITH OWNER.
- ALL MATERIALS AND FINISHES ARE TO BE INSTALLED PER THE MANUFACTURERS WRITTEN INSTRUCTIONS.
- INSTALL SOUND INSULATION AT ALL INTERIOR WALLS AS INDICATED IN THE WALL LEGEND.
- ALL INTERIOR FINISHES SHALL MEET THE REQUIREMENTS OF TABLE 803.11 OF THE 2018 NORTH CAROLINA STATE BUILDING CODE.
- USE MOISTURE RESISTANT GYP. BD. BEHIND ALL PLUMBING FIXTURES.
- BASEBOARD IN WET LOCATIONS SHALL EXTEND 3" UP THE WALL IN ACCORDANCE WITH 1210.2.1 OF THE 2018 NCBC.
- APPLY EPOXY PAINT ON RESTROOM WALLS FOR COMPLIANCE WITH SECTION 1210.2.2 2018 NCBC.

GLASS TYPE NOTES:

G-1 = CLEAR, INSULATED, TEMPERED GLASS.
 U VALUE = 0.450
 SHGC = 0.250
 * NOTE: INSULATED GLASS SHALL BE 1" THK. W/ 1/2" AIR SPACE & (2) 1/4" LITES.

FIELD VERIFY ALL DIMENSIONS AS SHOWN

DOOR SCHEDULE

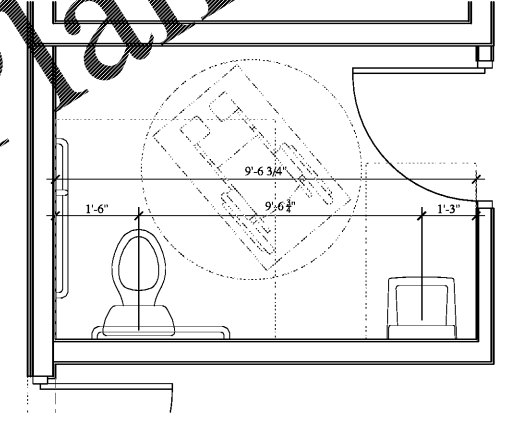
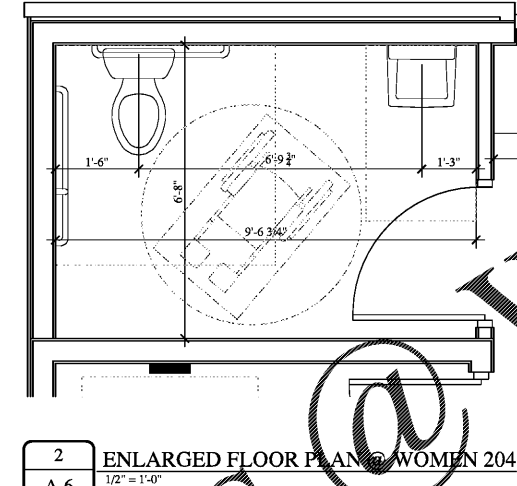
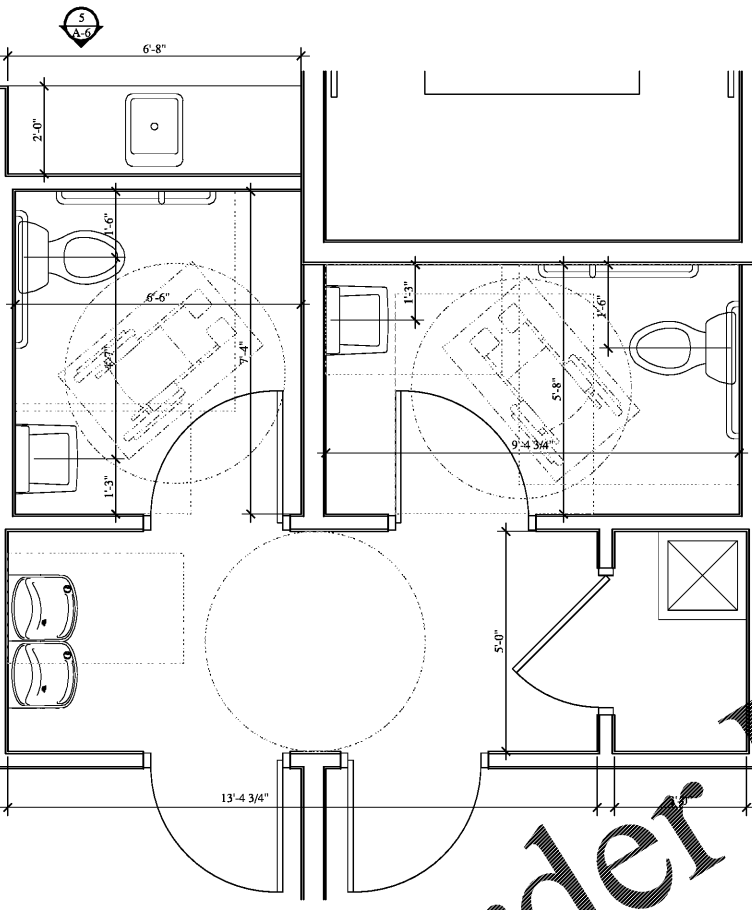
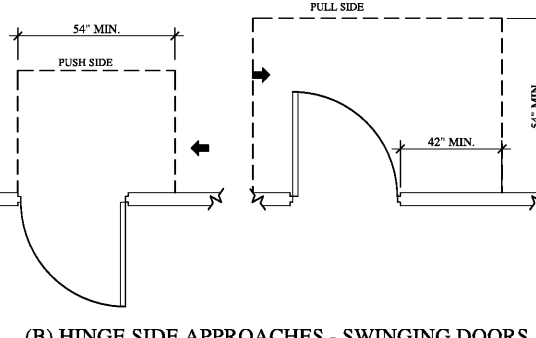
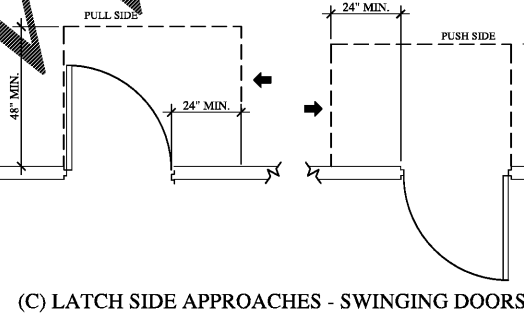
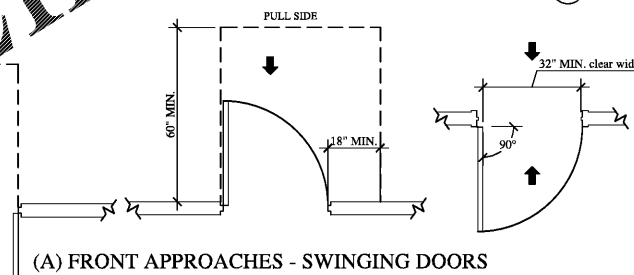
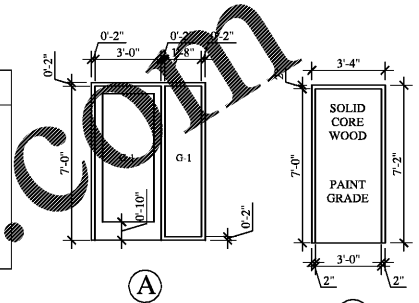
NO.	SIZE	TYPE	MATERIAL	FINISH	FRAME	FINISH	HINGES	LOCKSET	CLOSER	WEATHERSTRIPPING	THRESHOLD	DOOR SWEEP	PUSH/PULL	PASSAGE	PRIVACY	1 HR LABEL	PANIC HARDWARE	H.C. SIGN	REMARKS	NO.
101	3'-0" X 7'-0"	A	ALUMINUM	BLACK	ALUMINUM	BLACK	3	•	•	•	•	•							SEE DOOR/HARDWARE NOTES	101
102	3'-0" X 7'-0"	A	ALUMINUM	BLACK	ALUMINUM	BLACK	3	•	•	•	•	•							SEE DOOR/HARDWARE NOTES	102
103	3'-0" X 7'-0"	A	ALUMINUM	BLACK	ALUMINUM	BLACK	3	•	•	•	•	•							SEE DOOR/HARDWARE NOTES	103
104	3'-0" X 7'-0"	B	WOOD	PAINT	HOLLOW MTL	PAINT	3	•	•	•	•	•			•			•	SEE DOOR/HARDWARE NOTES	104
105	3'-0" X 7'-0"	B	WOOD	PAINT	HOLLOW MTL	PAINT	3	•	•	•	•	•							SEE DOOR/HARDWARE NOTES	105
106	3'-0" X 7'-0"	B	WOOD	PAINT	HOLLOW MTL	PAINT	3	•	•	•	•	•							SEE DOOR/HARDWARE NOTES	106
107	3'-0" X 7'-0"	B	WOOD	PAINT	HOLLOW MTL	PAINT	3	•	•	•	•	•							SEE DOOR/HARDWARE NOTES	107
108	3'-0" X 7'-0"	B	WOOD	PAINT	HOLLOW MTL	PAINT	3	•	•	•	•	•			•			•	SEE DOOR/HARDWARE NOTES	108
201	3'-0" X 7'-0"	A	ALUMINUM	BLACK	ALUMINUM	BLACK	3	•	•	•	•	•							SEE DOOR/HARDWARE NOTES	201
202	3'-0" X 7'-0"	B	WOOD	PAINT	HOLLOW MTL	PAINT	3	•	•	•	•	•							SEE DOOR/HARDWARE NOTES	202
203	3'-0" X 7'-0"	B	WOOD	PAINT	HOLLOW MTL	PAINT	3	•	•	•	•	•			•			•	SEE DOOR/HARDWARE NOTES	203
204	3'-0" X 7'-0"	B	WOOD	PAINT	HOLLOW MTL	PAINT	3	•	•	•	•	•			•			•	SEE DOOR/HARDWARE NOTES	204

HARDWARE SCHEDULE

NO.	SIZE	TYPE	MATERIAL	FINISH	FRAME	FINISH	HINGES	LOCKSET	CLOSER	WEATHERSTRIPPING	THRESHOLD	DOOR SWEEP	PUSH/PULL	PASSAGE	PRIVACY	1 HR LABEL	PANIC HARDWARE	H.C. SIGN	REMARKS	NO.
101	3'-0" X 7'-0"	A	ALUMINUM	BLACK	ALUMINUM	BLACK	3	•	•	•	•	•							SEE DOOR/HARDWARE NOTES	101
102	3'-0" X 7'-0"	A	ALUMINUM	BLACK	ALUMINUM	BLACK	3	•	•	•	•	•							SEE DOOR/HARDWARE NOTES	102
103	3'-0" X 7'-0"	A	ALUMINUM	BLACK	ALUMINUM	BLACK	3	•	•	•	•	•							SEE DOOR/HARDWARE NOTES	103
104	3'-0" X 7'-0"	B	WOOD	PAINT	HOLLOW MTL	PAINT	3	•	•	•	•	•			•			•	SEE DOOR/HARDWARE NOTES	104
105	3'-0" X 7'-0"	B	WOOD	PAINT	HOLLOW MTL	PAINT	3	•	•	•	•	•							SEE DOOR/HARDWARE NOTES	105
106	3'-0" X 7'-0"	B	WOOD	PAINT	HOLLOW MTL	PAINT	3	•	•	•	•	•							SEE DOOR/HARDWARE NOTES	106
107	3'-0" X 7'-0"	B	WOOD	PAINT	HOLLOW MTL	PAINT	3	•	•	•	•	•							SEE DOOR/HARDWARE NOTES	107
108	3'-0" X 7'-0"	B	WOOD	PAINT	HOLLOW MTL	PAINT	3	•	•	•	•	•			•			•	SEE DOOR/HARDWARE NOTES	108
201	3'-0" X 7'-0"	A	ALUMINUM	BLACK	ALUMINUM	BLACK	3	•	•	•	•	•							SEE DOOR/HARDWARE NOTES	201
202	3'-0" X 7'-0"	B	WOOD	PAINT	HOLLOW MTL	PAINT	3	•	•	•	•	•							SEE DOOR/HARDWARE NOTES	202
203	3'-0" X 7'-0"	B	WOOD	PAINT	HOLLOW MTL	PAINT	3	•	•	•	•	•			•			•	SEE DOOR/HARDWARE NOTES	203
204	3'-0" X 7'-0"	B	WOOD	PAINT	HOLLOW MTL	PAINT	3	•	•	•	•	•			•			•	SEE DOOR/HARDWARE NOTES	204

DOOR/HARDWARE NOTES

- G.C. TO VERIFY ALL KEYING REQUIREMENTS WITH OWNER.
- ALL HARDWARE TO BE HANDICAPPED ACCESSIBLE W/ LEVER HANDLES.
- ALL EXTERIOR EXIT DOORS ON THE EGRESS SIDE TO HAVE LEVER HARDWARE PRES AT ALL TIMES.
- INSTALL SILENCERS ON ALL SWINGING DOORS.
- INSTALL WALL OR FLOOR STOPS ON ALL INTERIOR SWINGING DOORS.
- G.C. TO VERIFY ALL DOOR FINISHES WITH OWNER.

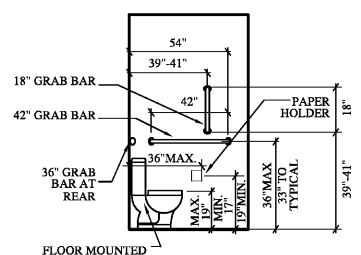


1 ENLARGED FLOOR PLAN @ FIRST FLOOR RESTROOMS
 1/2" = 1'-0"

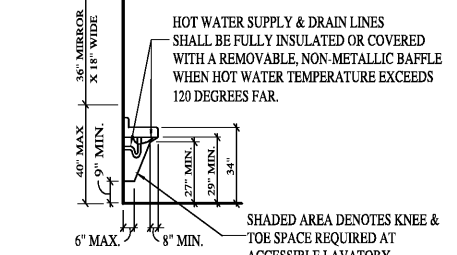
2 ENLARGED FLOOR PLAN @ WOMEN 204
 1/2" = 1'-0"

3 ENLARGED FLOOR PLAN @ WOMEN 204
 1/2" = 1'-0"

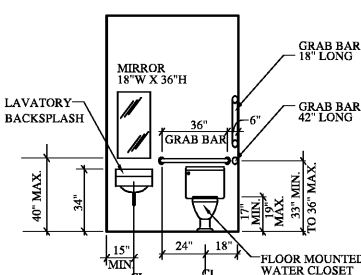
- TOILET ACCESSORIES**
- TOILET PAPER HOLDER, BOBRICK B264, OR EQUAL.
 - GRAB BARS, BOBRICK OR EQUAL, 42", 36", & 18" LENGTHS.
 - SURFACE MOUNTED SOAP DISPENSER, BOBRICK B-5050, OR EQUAL.
 - PAPER TOWEL DISPENSER, BOBRICK B-369 CLASSIC SERIES OR EQUAL.
 - ADA MIRROR, BOBRICK B-293, 18" X 36".
 - INSTALL HANDICAPPED SIGN ON WALL ADJACENT LATCH SIDE OF TOILET DOOR 60" ABOVE FLOOR. TWO SIGNS REQUIRED.
 - IT SHALL BE THE RESPONSIBILITY OF THE G.C. TO INSTALL WOOD BLOCKING IN DRYWALL FOR SUPPORT OF TOILET ACCESSORIES AND GRAB BARS.
 - VERIFY ALL TOILET ACCESSORIES WITH OWNER.



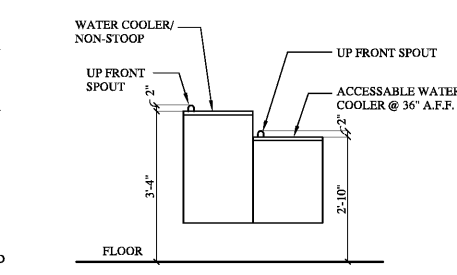
SIDE ELEVATION @ W.C.



SIDE ELEVATION @ LAVATORY



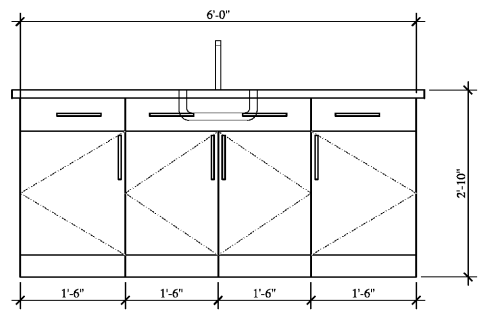
FRONT ELEVATION @ W.C.



FRONT ELEVATION @ E.W.C.



4 PLUMBING FIXTURE MOUNTING DETAILS
 N.T.S.



5 INT. ELEVATION @ MILLWORK
 1/2" = 1'-0"

NOTE: ALL BASE CABINETS ARE TO BE COVERED WITH PLASTIC LAMINATE. COUNTERTOPS ARE TO BE GRANITE OR QUARTS. VERIFY ALL COUNTERTOPS AND CABINET FINISHES WITH THE OWNER BEFORE PURCHASE.

PRIEST ARCHITECTURE
 PRIEST ARCHITECTURE, PLLC
 1704 TILES BLVD., SUITE 100, CHARLOTTE, NC 28205
 PHONE: 704-376-1410 FAX: 704-376-1411 MOBILE: 803-253-8600
 EMAIL: PRIESTARCHITECT@BELLSOUTH.NET

REGISTERED PROFESSIONAL ARCHITECT
 STATE OF NORTH CAROLINA
 NO. 28000

PRIEST ARCHITECTURE, PLLC
 ARCHITECTS
 1704 TILES BLVD., SUITE 100
 CHARLOTTE, NC 28205

REVISIONS

NO.	DATE

BH PECAN, LLC
 904 PECAN AVENUE
 CHARLOTTE, NORTH CAROLINA 28205

Project No: 1923
 Scale:
 Date Drawn:
 Sheet Title
SCHEDULES AND DETAILS

A-6