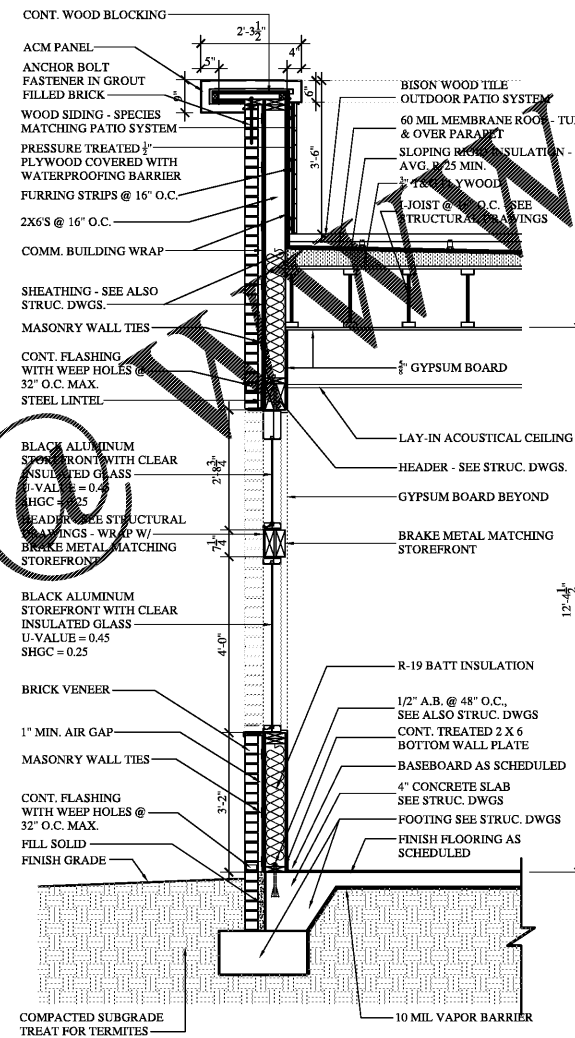
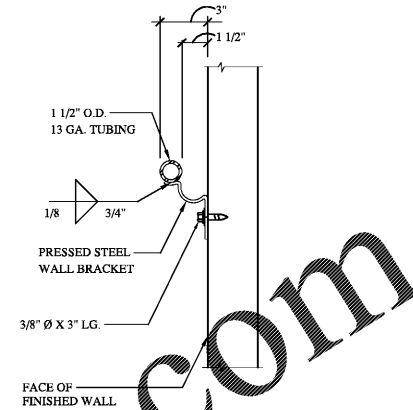


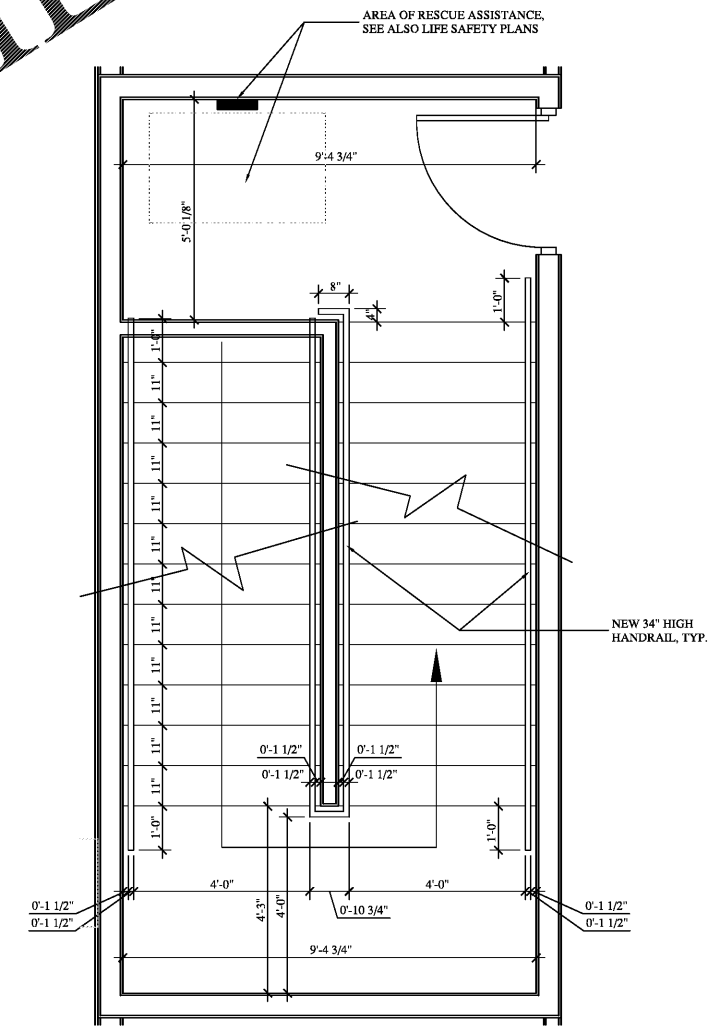
1 WALL SECTION
1/2" = 1'-0"



2 WALL SECTION
1/2" = 1'-0"



3 STAIR HANDRAIL MOUNTING DETAILS
A-5.3



4 ENLARGED FLOOR PLAN @ STAIRS
1/2" = 1'-0"

NOTE:
STAIR IS CONSTRUCTED OF WOOD STRINGERS. TREADS AND RISERS ARE TO BE FINISHED WITH SOLID OAK - STAINED AND POLYURETHANED. HANDRAILS SHALL BE OAK - STAINED AND POLYURETHANED.
TREAD DEPTH = 11"
RISER HEIGHT = 6.96" (EQUAL RISERS ACCOUNTING FOR GYPCRETE THICKNESS)

REVISIONS	
NO.	DATE