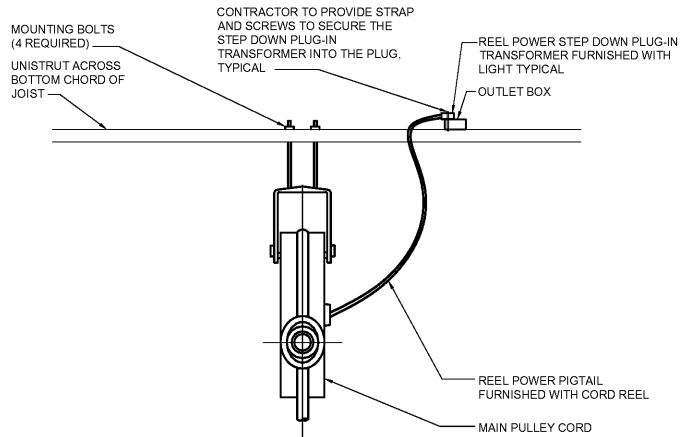
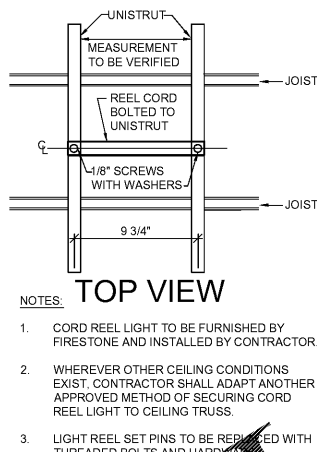


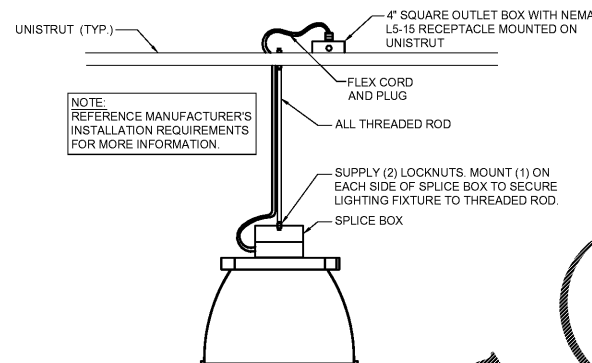
1
E4
DATA/POWER POLE DETAIL
SCALE: NONE



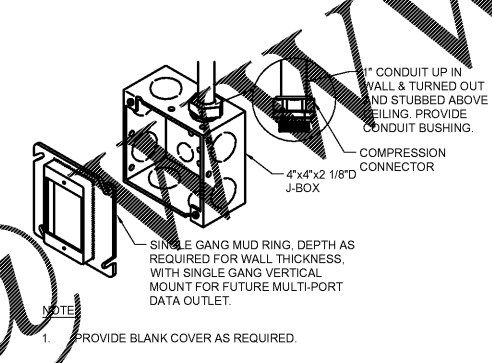
2
E4
CORD REEL LIGHT DETAIL
SCALE: NONE



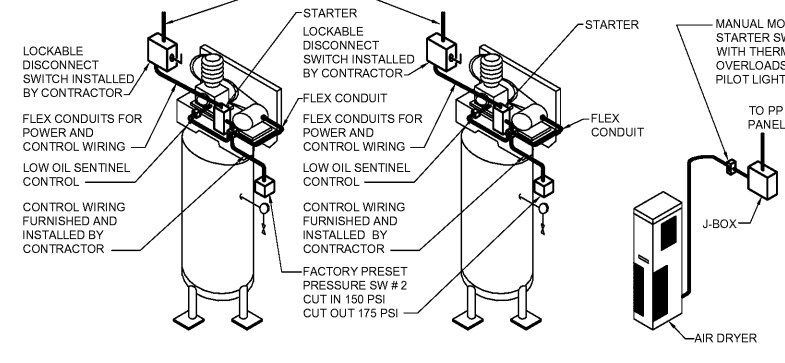
3
E4
HEAVY DUTY CORD REEL DETAIL
SCALE: NONE



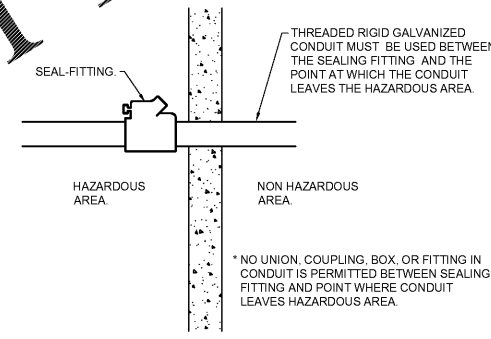
4
E4
TYPICAL LIGHT TYPE \"M\" MOUNTING DETAIL
SCALE: NONE



5
E4
TYPICAL MUD RING JUNCTION BOX DETAIL
SCALE: NONE

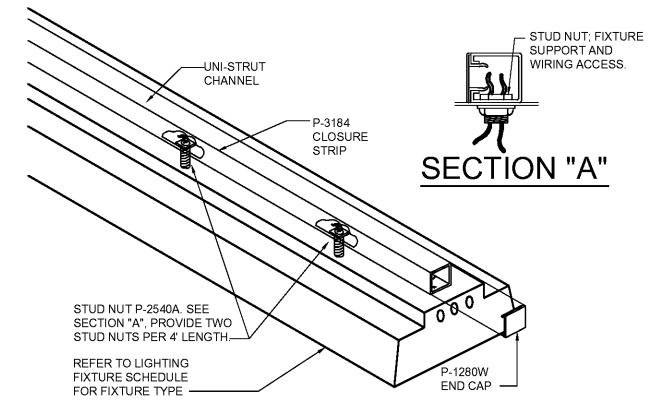


6
E4
VERTICAL AIR COMPRESSOR DETAIL
SCALE: NONE

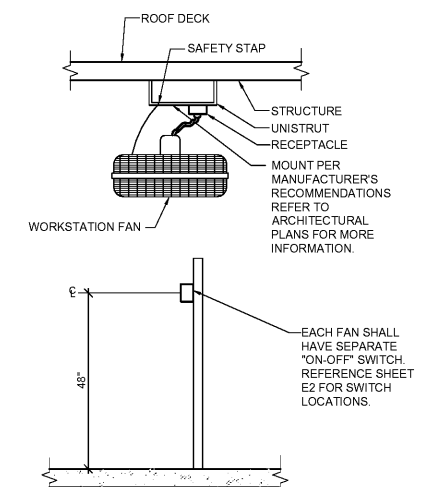


7
E4
SEALING FITTING DETAIL
SCALE: NONE

- HAZARDOUS AREA NOTES:**
- ELECTRICAL INSTALLATION IN AREA DESIGNATED SHALL FOLLOW ALL RULES AND INTENT OF LOCAL ELECTRICAL CODE AUTHORITY FOR AREAS DESIGNATED AS CLASS 1, DIVISION 2.
 - ALL CONDUIT ROUTE WITHIN OR THROUGH A CLASS 1, DIVISION 2 AREA SHALL BE THREADED RIGID GALVANIZED CONDUIT.
 - ALL HAZARDOUS SEALS SHALL BE ACCESSIBLE.
 - BOXES, FITTINGS, AND JOINTS ARE NOT REQUIRED TO BE EXPLOSION PROOF EXCEPT WHEN EXPLOSION PROOF ENCLOSURES ARE REQUIRED BECAUSE THEY CONTAIN CONTROL DEVICES, CIRCUIT BREAKERS, MOTOR STARTERS, ALARMS, OR OTHER SIMILAR DEVICES THAT HAVE MAKE-AND-BREAK CONTACTS.
 - WHERE POSSIBLE, THE ELECTRICAL CONTRACTOR SHALL INSTALL ALL DEVICES AND ROUTE ALL CONDUIT OUTSIDE OF THE DEFINED HAZARDOUS AREA.



8
E4
TYPICAL LIGHT FIXTURE MOUNTING DETAIL
SCALE: NONE



9
E4
TYPICAL FAN CEILING MOUNTING DETAIL
SCALE: NONE

Order Plans

Sep 26, 2019 - 2:45pm - USER: AccorAngel
G:\Bridgestone-Firestone (Engineering)\1920230 BSRO - Garner, NC\Sheets\E4 ELECTRICAL DETAILS.dwg