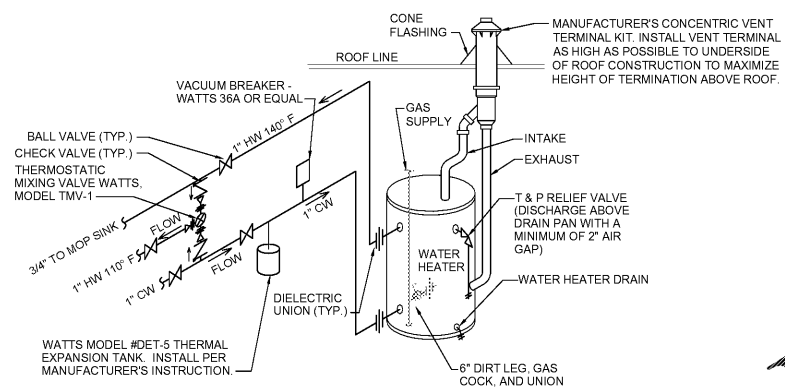


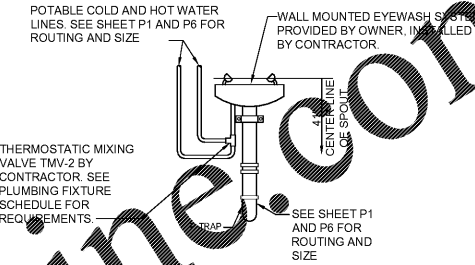
**1**  
P5 **TRAP PRIMER DETAIL (TP-1)**  
SCALE: N.T.S.

**NOTE:**  
DETAILS SHOWN HERE ARE DIAGRAMMATICAL ONLY AND ARE NOT INTENDED TO SHOW EVERY FITTING AND/OR OFFSET. SEE MANUFACTURER'S SPECIFIC INSTALLATION INSTRUCTIONS AND DETAILS. INSTALLATION CONTRACTOR IS TO BE CERTIFIED AND AUTHORIZED BY THE MANUFACTURER.

**NOTES:**  
1. ROUTE 3/4\"/>

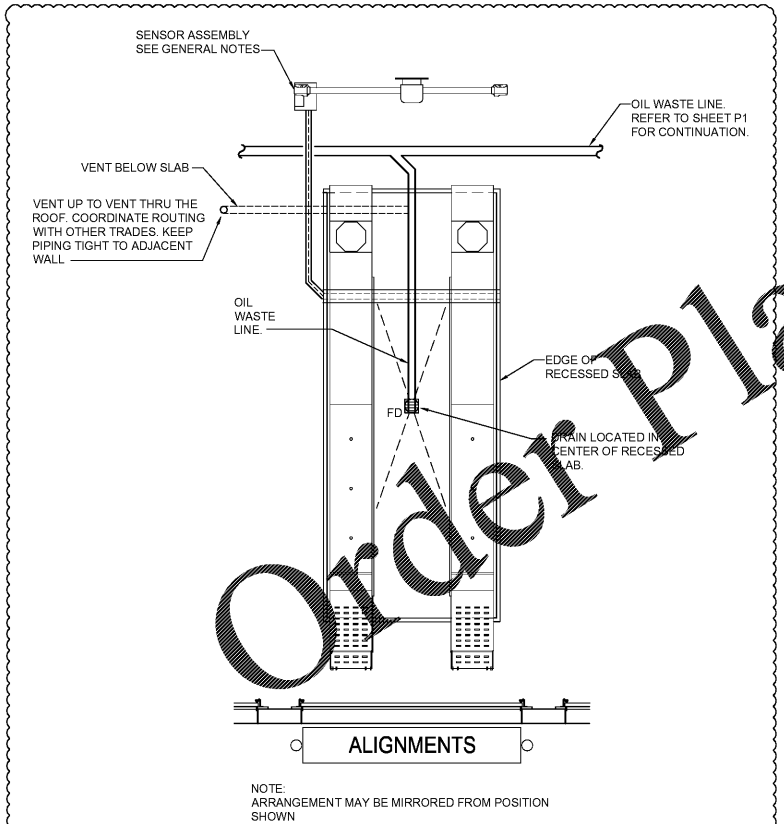


**2**  
P5 **GAS FIRED WATER**  
SCALE: N.T.S.

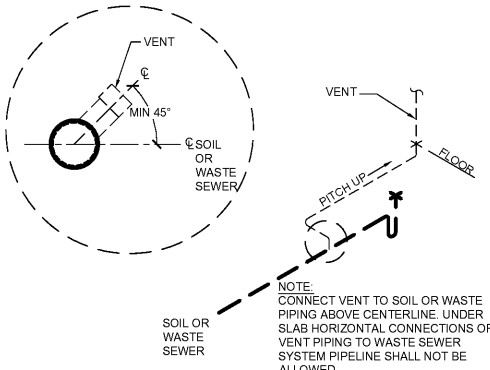


**3**  
P5 **EYEWASH PIPING DETAIL**  
SCALE: N.T.S.

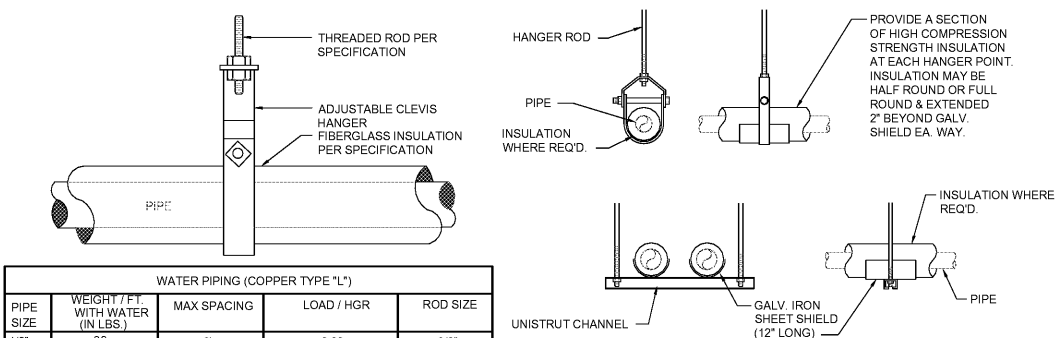
**4**  
P5 **NOT USED**  
SCALE: N.T.S.



**5**  
P5 **ALIGNMENT RACK PIPING DETAIL**  
SCALE: N.T.S.



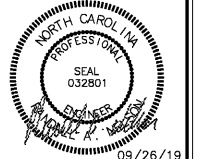
**6**  
P5 **VENT PIPING INSTALLATION**  
SCALE: N.T.S.



WATER PIPING (COPPER TYPE 'L')				
PIPE SIZE	WEIGHT / FT WITH WATER (IN LBS.)	MAX SPACING	LOAD / HGR	ROD SIZE
1/2"	.38	6'	2.28	3/8"
3/4"	.66	6'	3.96	3/8"
1"	1.04	6'	6.24	3/8"
1-1/4"	1.43	6'	8.58	3/8"
1-1/2"	1.92	6'	19.2	3/8"
2"	3.09	10'	30.8	3/8"
2-1/2"	4.52	10'	45.2	3/8"

- NOTES:**
- ATTACH SUPPORTS FOR ALL PIPING SUSPENDED FROM THE STEEL STRUCTURE TO THE TOP CORD OF JOISTS OR BEAMS.
  - PROVIDE COPPER OR PLASTIC COATED HANGERS FOR NON-INSULATED COPPER PIPE.

**7**  
P5 **PIPE SUPPORT DETAIL**  
SCALE: N.T.S.



ACERTUS NORTH CAROLINA  
CERTIFICATION NUMBER - P1514

**ISSUE BLOCK**

NO.	DATE	ADDENDUM #
1	09/27/19	

PROPERTY NO.: 160017  
6 DIGIT NO.: 903065  
4 DIGIT NO.: 015P  
AOR PROJECT NUMBER: 1955801  
TO PERMIT: DATE: 07-28-19  
TO BID: DATE: ##-##-##