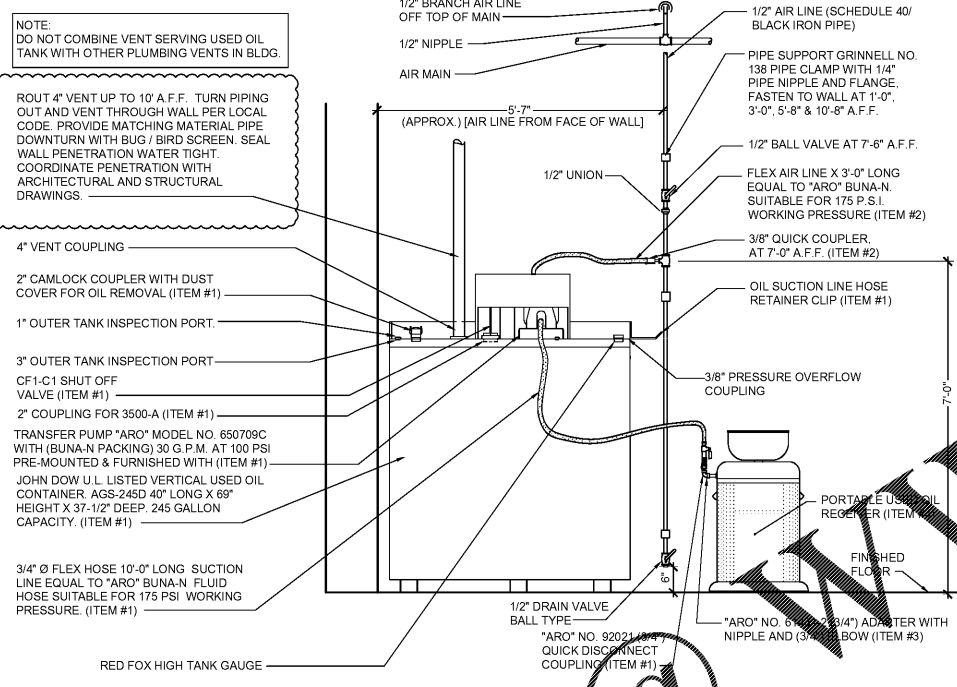


Order Plans @ WWW.LDLINE.COM

USED OIL STORAGE SYSTEM INSTALLATION	
BILL OF MATERIAL - OWNER FURNISHED ITEMS	
ITEM#	DESCRIPTION
1	JOHN DOW DOUBLE WALL WASTE OIL TANK COMPLETE WITH AIR OPERATED "ARO" DIAPHRAGM PUMP, AUTOMATIC AIR SHUTOFF, LIQUID LEVEL GAUGE, 2" CAMLOCK COUPLER, 10' X 3/4" INLET HOSE WITH QUICK DISCONNECT COUPLER, QUICK DISCONNECT ADAPTER KIT, AND AIR FILTER REGULATOR. SIZE 40" L X 37-1/2" W X 69" H. WEIGHT: 1100 LBS. NOTE: TANK ASSEMBLY IS U.L. LISTED (MEETS UL-142 SPECIFICATIONS)
2	1/4" Ø FLEX HOSE 3'-0" LONG (175 P.S.I.) AND 1/4" QUICK COUPLER "JOHNDOW" NO. 421-QUICK.
3	JOHN DOW NO. 61431-2 (3/4" ADAPTER) WITH 3/4" NIPPLE AND 3/4" ELBOW. (1) REQUIRED FOR EACH ITEM #4 FURNISHED.
4	PORTABLE USED OIL RECEIVER (STORE EQUIPMENT ITEM) QUANTITY TO BE DETERMINED. SEE BUILDING STORE PLANNING LAYOUT - SHEET F1.



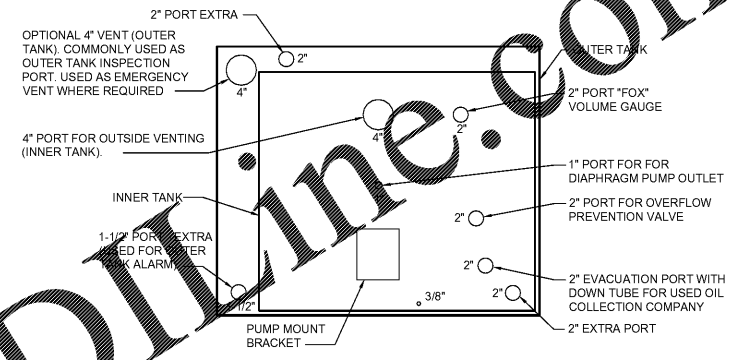
1 USED OIL STORAGE SYSTEM ELEVATION VIEW
 P4 SCALE: N.T.S.

GENERAL NOTES:

- SEE NEW AND USED OIL SYSTEM RESPONSIBILITY NOTE THIS SHEET FOR SUPPLY AND INSTALL OF OIL SYSTEM COMPONENTS.
- UNLESS OTHERWISE NOTED, ALL OTHER MATERIAL FOR THIS DETAIL SHALL BE FURNISHED AND INSTALLED BY CONTRACTOR.
- SEE SPECIFICATIONS FOR TYPE OF PIPE & FITTINGS TO BE FURNISHED & INSTALLED.
- PROVIDE EARTH GROUND TO AIR OPERATED OIL PUMP PER MANUFACTURER'S SPECIFICATION AND/OR PER N.E.C. CODE REQUIREMENTS.

INSTALLATION NOTES:

- CONTACT LOCAL FIRE MARSHAL AND OBTAIN INSTALLATION PERMISSION AND/OR PERMITS.
- DETERMINE INSTALLATION LOCATION BY EITHER REVIEWING BUILDING STORE PLANNING LAYOUT (SHEET F1), FOR NEW STORES, OR BY STORE MANAGER SELECTION AT EXISTING STORES.
- UNCRATE PRE-ASSEMBLED TANK (ITEM #1) AND MOVE INTO POSITION.
- INSTALL AIR LINE FROM MAIN AND INSTALL FLEX HOSE (ITEM #2) CONNECTION TO TANK.
- CONNECT VENT LINE TO TANK AND RUN VENT TO EXTERIOR THROUGH WALL. INSTALL WALL FLASHING AND WEATHER CAP AS NOTED.
- CONNECT QUICK DISCONNECTS (ITEM #3) TO EACH PORTABLE USED OIL COLLECTION RECEIVER AT THE STORE.
- VENT PIPING MATERIAL TO BE GALVANIZED STEEL OR BLACK IRON.

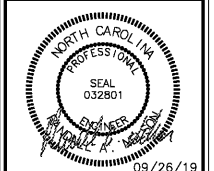


2 USED OIL STORAGE SYSTEM - PORT LAYOUT
 P4 SCALE: N.T.S.



REPRODUCTION OF THIS DRAWING IS THE PROPERTY OF BRIDGESTONE RETAIL OPERATIONS, LLC AND IS LOANED TO THE CLIENT UNDER THE EXPRESS CONDITION THAT IT IS NOT TO BE REPRODUCED OR TRANSMITTED IN ANY FORM OR BY ANY MEANS, ELECTRONIC OR MECHANICAL, INCLUDING PHOTOCOPYING, RECORDING, OR BY ANY INFORMATION STORAGE AND RETRIEVAL SYSTEM, WITHOUT THE WRITTEN PERMISSION OF BRIDGESTONE RETAIL OPERATIONS, LLC.

NEW FCAC STORE
 2019 JANUARY - SMALL ER
 5845 NC HWY 42
 GARNER, NC



ACERTUS NORTH CAROLINA
 CERTIFICATION NUMBER - P1514

ISSUE BLOCK	
Δ	09/27/19 ADDENDUM #1

PROPERTY NO.:	160017
6 DIGIT NO.:	903065
4 DIGIT NO.:	015P
AOR PROJECT NUMBER:	1955801
TO PERMIT:	DATE: 07-28-19
TO BID:	DATE: ##-##-##

SHEET TITLE:
OIL PIPING DETAILS
 SHEET NUMBER:
P4