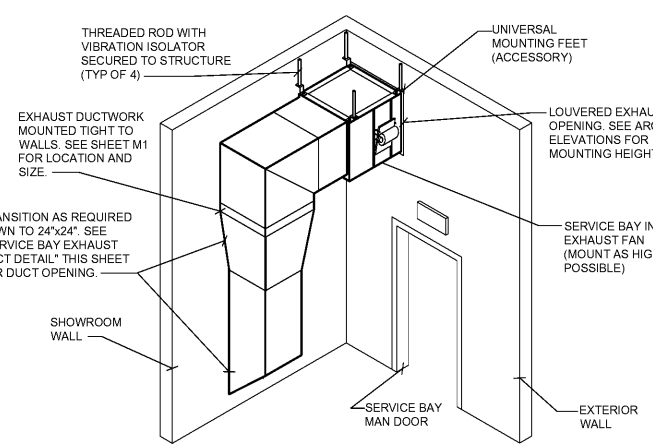
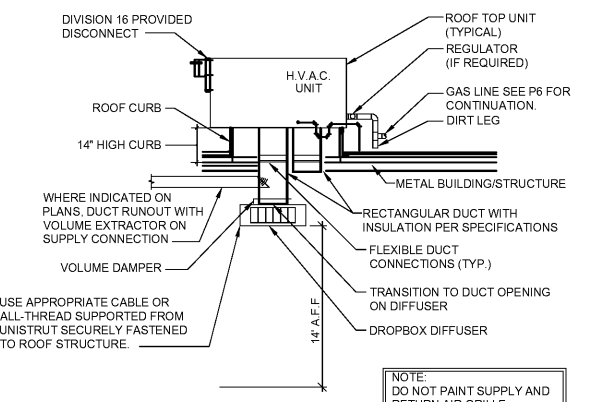


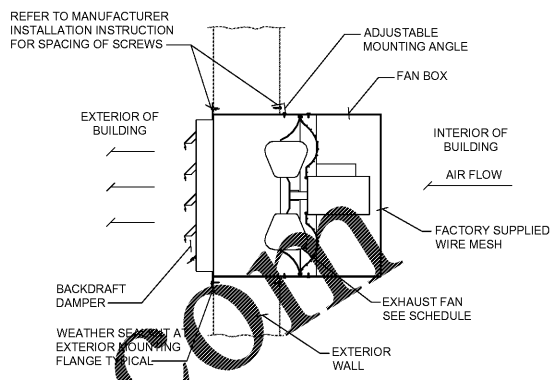
1 ROOFTOP UNIT PIPING DETAIL
M2 N.T.S.



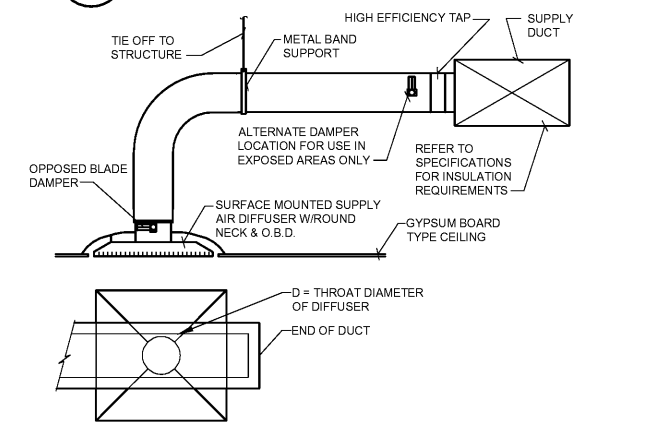
2 SERVICE BAY EXHAUST FAN
M2 N.T.S.



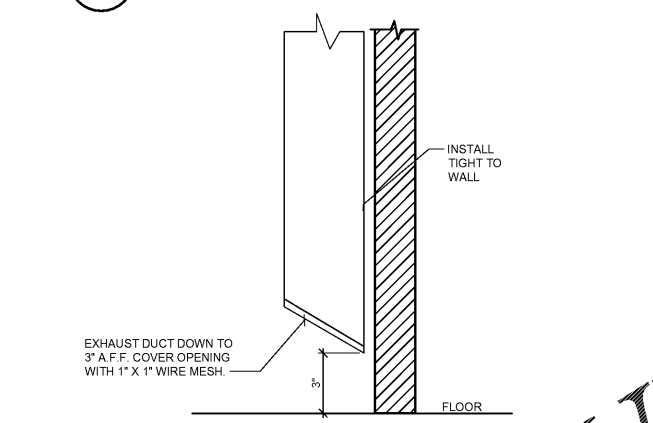
3 RTU PACKAGE HVAC DETAIL
M2 N.T.S.



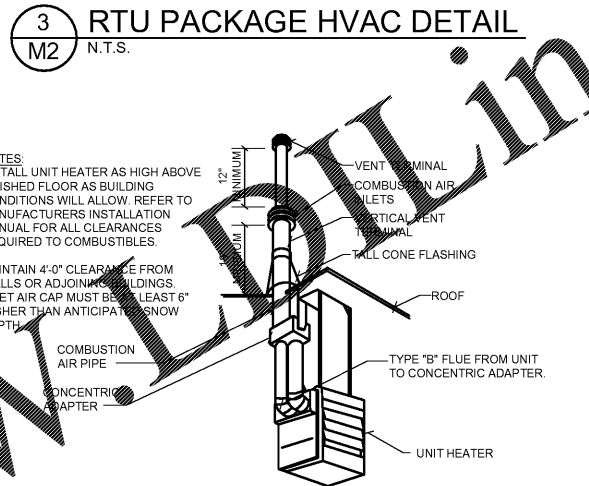
4 WALL PROP EXHAUST FAN DETAIL
M2 N.T.S.



5 SUPPLY AIR DIFFUSER DETAIL
M2 N.T.S.



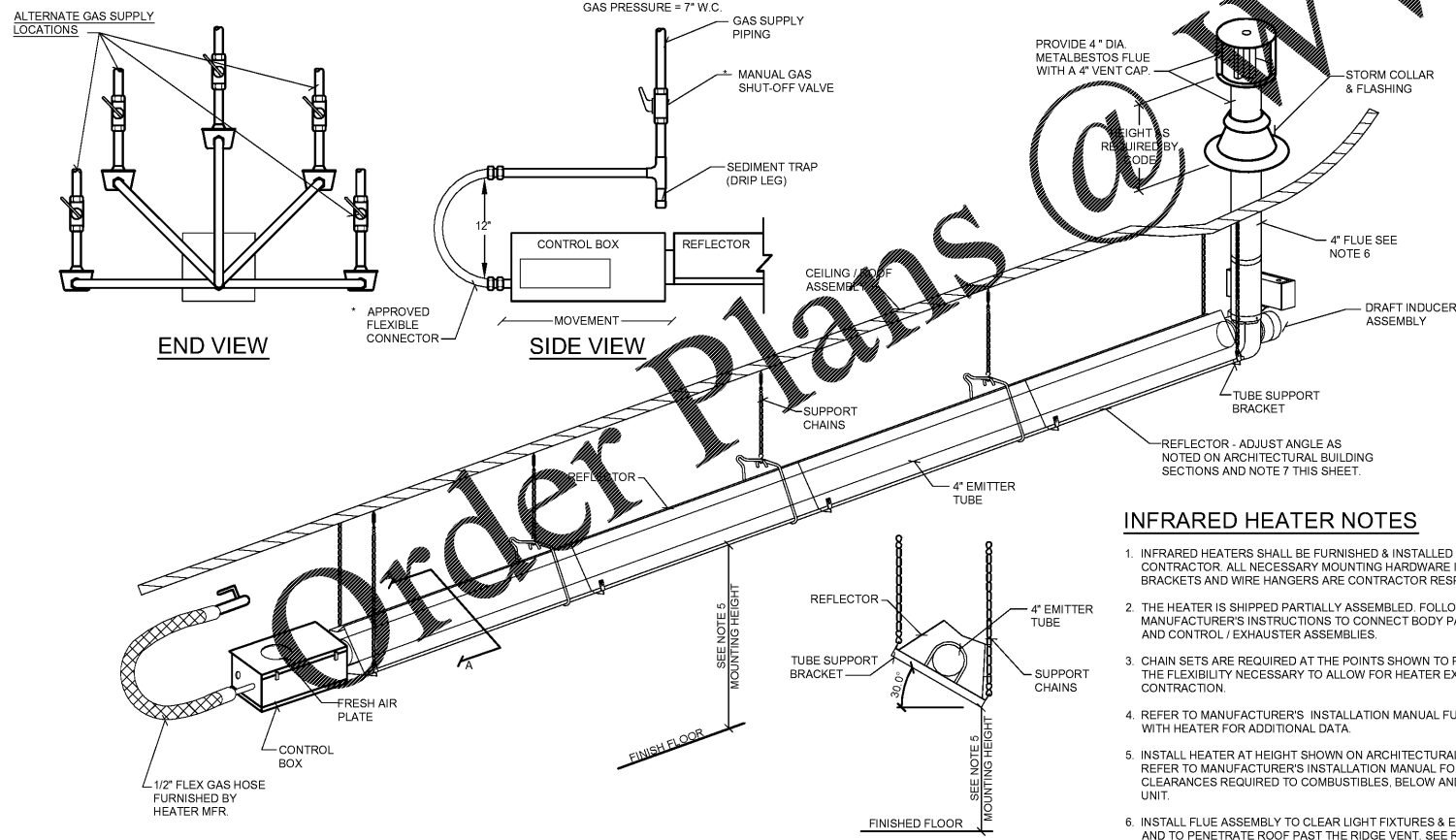
6 SERVICE BAY EXHAUST DUCT DETAIL
M2 N.T.S.



7 UNIT HEATER CONCENTRIC FLUE DETAIL
M2 N.T.S.

GENERAL DETAIL NOTES

- SUSPEND UNIT HEATERS FROM UNISTRUT CHANNELS MOUNTED TO ROOF TRUSS WITH VIBRATION ISOLATORS EQUIPPED HANGER RODS OR AN APPROVED EQUAL METHOD.
- ALL EQUIPMENT FURNISHED BY CONTRACTOR SHALL HAVE MAGNETIC STARTERS OF SIZE AND CAPACITIES AS REQ'D. FOR PROPER EQUIPMENT OPERATION. FURNISH WEATHERPROOF BOXES (NEMA 3R) FOR EXTERIOR USE.
- EXTEND ALL METALBESTOS FLUES OF DIAMETERS SHOWN THROUGH ROOF TO HEIGHT REQUIRED BY CODE WITH ALUMINUM ROUND TOP. PROVIDE VENTILATING THIMBLE THROUGH ROOF FOR CLEARANCE AROUND STACK AND SUPPORT SECURELY. PROVIDE WEATHER TIGHT RAIN COLLAR AND FLASHING AT PENETRATION.
- ALL THERMOSTATS TO BE FURNISHED BY HVAC CONTRACTOR TO ELECTRICAL CONTRACTOR FOR INSTALLATION.
- FURNISH AND INSTALL UL RATED FIRE DAMPERS W/FUSIBLE LINKS AND ACCESS PANELS IN DUCT WORK AT PENETRATIONS OF FIRE RATE ASSEMBLIES AS REQUIRED BY CODE.
- WIRING SCHEMATICS OF ALL HVAC EQUIPMENT SHALL BE FURNISHED BY HVAC CONTRACTOR TO ELECTRICAL CONTRACTOR.
- ADJUST ALL FANS TO PROPER RPM TO ASSURE CFM REQUIRED AND BALANCE ALL GRILLES AND DIFFUSERS TO CFM SHOWN ON DRAWINGS. (±5%)
- WHERE DRAWINGS AND SPECIFICATIONS EXCEED GOVERNING CODE REQUIREMENTS, DESIGN SHALL GOVERN. INSTALL NO WORK CONTRARY TO OR BELOW MINIMUM LEGAL STANDARDS, WHETHER DRAWINGS AND SPECIFICATIONS FULLY COMPLY OR NOT.
- ROUTE ALL PIPING TIGHT TO CEILING AND WALLS, PARALLEL AND PERPENDICULAR TO BUILDING STRUCTURE WHERE POSSIBLE.
- ALL SHUT OFF VALVES TO BE ACCESSIBLE TO ASSOCIATES WITHOUT THE USE OF A LADDER OR STEP-STOOL.



INFRARED HEATER NOTES

- INFRARED HEATERS SHALL BE FURNISHED & INSTALLED BY CONTRACTOR. ALL NECESSARY MOUNTING HARDWARE INCLUDING BRACKETS AND WIRE HANGERS ARE CONTRACTOR RESPONSIBILITY.
- THE HEATER IS SHIPPED PARTIALLY ASSEMBLED. FOLLOW MANUFACTURER'S INSTRUCTIONS TO CONNECT BODY PACKAGES AND CONTROL / EXHAUSTER ASSEMBLIES.
- CHAIN SETS ARE REQUIRED AT THE POINTS SHOWN TO PROVIDE THE FLEXIBILITY NECESSARY TO ALLOW FOR HEATER EXPANSION & CONTRACTION.
- REFER TO MANUFACTURER'S INSTALLATION MANUAL FURNISHED WITH HEATER FOR ADDITIONAL DATA.
- INSTALL HEATER AT HEIGHT SHOWN ON ARCHITECTURAL SHEET AS REFER TO MANUFACTURER'S INSTALLATION MANUAL FOR ALL CLEARANCES REQUIRED TO COMBUSTIBLES, BELOW AND ABOVE UNIT.
- INSTALL FLUE ASSEMBLY TO CLEAR LIGHT FIXTURES & EQUIPMENT AND TO PENETRATE ROOF PAST THE RIDGE VENT. SEE ROOF PLAN.
- CONTRACTOR SHALL ROTATE RADIANT HEATER TO A 30° DEG ANGLE PER MANUFACTURER'S INSTRUCTIONS.

SECTION A-A

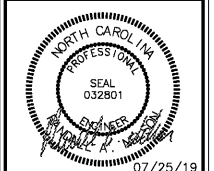
8 GAS FIRED INFRA-RED STRAIGHT TUBE HEATER DETAIL
M2 N.T.S.

DETAIL BY MANUFACTURER FOR REFERENCE ONLY.

Firestone COMPLETE AUTO CARE
This drawing is the property of BRIDGESTONE RETAIL OPERATIONS, LLC and is loaned on the EXPRESS CONDITION THAT IT IS NOT TO BE REPRODUCED OR TRANSMITTED IN ANY FORM OR BY ANY MEANS, ELECTRONIC OR MECHANICAL, INCLUDING PHOTOCOPYING, RECORDING, OR BY ANY INFORMATION STORAGE AND RETRIEVAL SYSTEM, WITHOUT THE WRITTEN PERMISSION OF BRIDGESTONE RETAIL OPERATIONS, LLC. ADMISSION TO THE EXCLUSIVE OWNERSHIP (AND TO THE DRAWING BY BRIDGESTONE RETAIL OPERATIONS, LLC).

REVISION OF ISSUE
THIS DRAWING WAS PREPARED FOR USE ON A SPECIFIC PROJECT AND IS NOT TO BE REUSED ON OTHER PROJECTS WITHOUT THE WRITTEN PERMISSION OF BRIDGESTONE RETAIL OPERATIONS, LLC. AT A LATER DATE, USE OF THIS DRAWING FOR OTHER PROJECTS OR FOR OTHER PROJECTS WITHOUT THE WRITTEN PERMISSION OF BRIDGESTONE RETAIL OPERATIONS, LLC IS PROHIBITED. BRIDGESTONE RETAIL OPERATIONS, LLC ASSUMES NO LIABILITY FOR ANY ERRORS OR OMISSIONS IN THIS DRAWING OR FOR ANY DAMAGE TO PROPERTY OR PERSONS ARISING FROM THE USE OF THIS DRAWING. BRIDGESTONE RETAIL OPERATIONS, LLC ASSUMES NO LIABILITY FOR ANY DAMAGE TO PROPERTY OR PERSONS ARISING FROM THE USE OF THIS DRAWING.

NEW FCAC STORE
2019 JANUARY - SMALL ER
5845 NC HWY 42
GARNER, NC



ACERTUS NORTH CAROLINA
CERTIFICATION NUMBER - P1514

ISSUE BLOCK	

PROPERTY NO.: 160017
6 DIGIT NO.: 903065
4 DIGIT NO.: 015P
AOR PROJECT NUMBER: 1955801
TO PERMIT: DATE: 07-28-19
TO BID: DATE: ##-##-##

SHEET TITLE:
MECHANICAL
DETAILS

SHEET NUMBER:
M2