

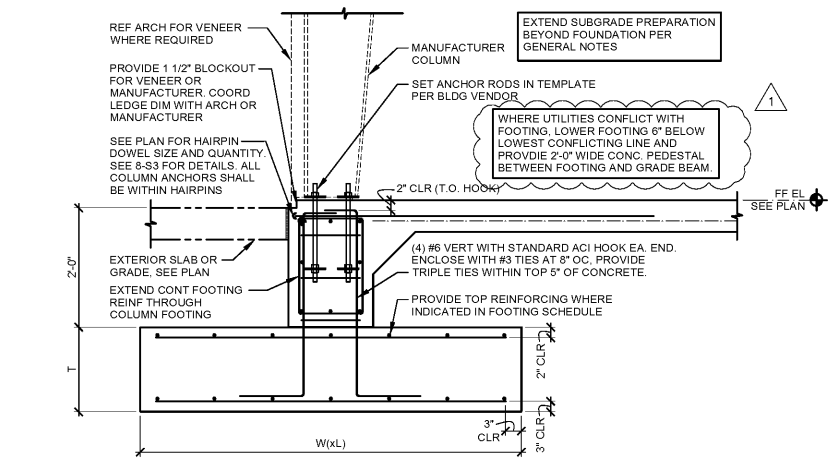
1 EXTERIOR FOOTING DETAIL
S3 SCALE: 3/4" = 1'-0"

2 EXTERIOR FOOTING DETAIL
S3 SCALE: 3/4" = 1'-0"

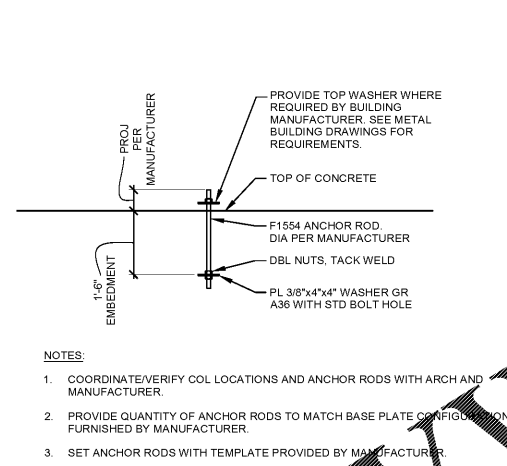
3 DOOR SECTION
S3 SCALE: 3/4" = 1'-0"

4 OVERHEAD DOOR SECTION
S3 SCALE: 3/4" = 1'-0"

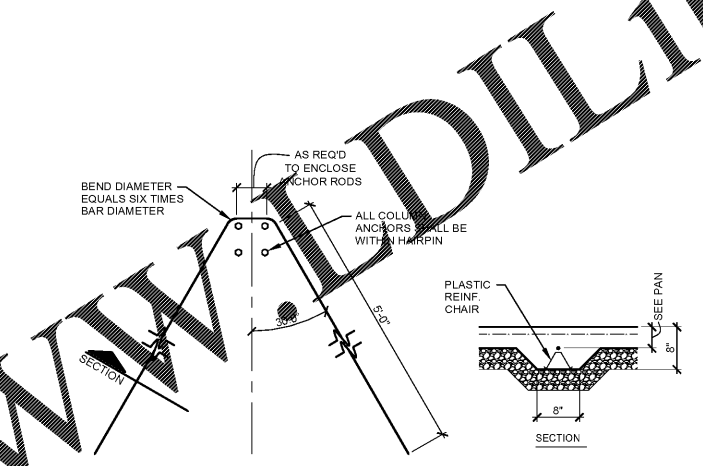
5 CORNER BAR REINFORCING
S3 SCALE: 3/4" = 1'-0"



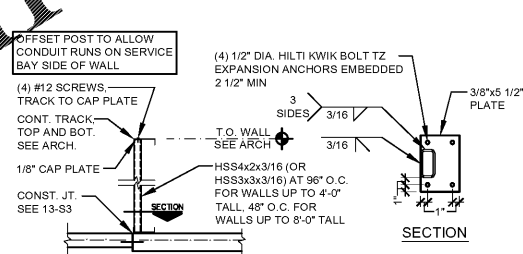
6 SECTION AT PERIMETER COLUMN FOOTING
S3 SCALE: 3/4" = 1'-0"



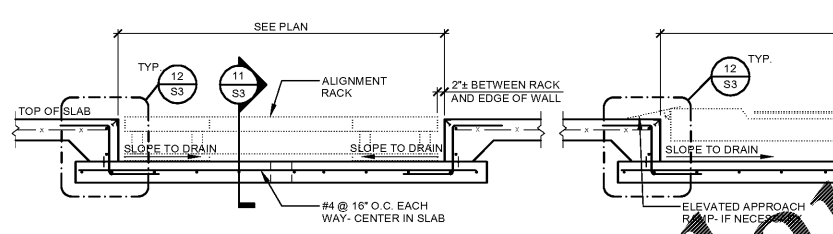
7 TYPICAL ANCHOR ROD
S3 SCALE: 3/4" = 1'-0"



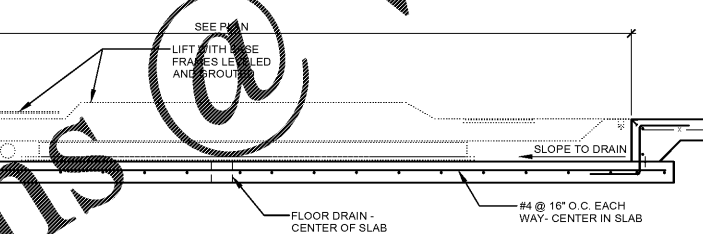
8 TYPICAL HAIRPIN DETAIL
S3 SCALE: 3/4" = 1'-0"



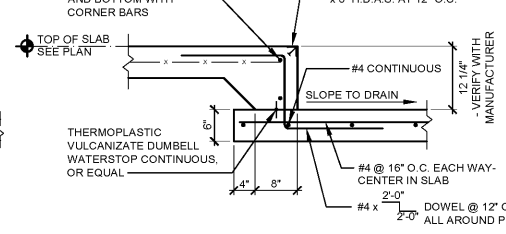
9 KNEE WALL SECTION
S3 SCALE: 1/2" = 1'-0"



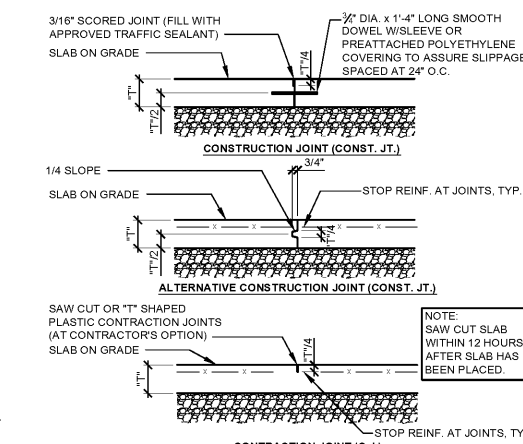
10 SECTION AT ALIGNMENT SLAB
S3 SCALE: 1/2" = 1'-0"



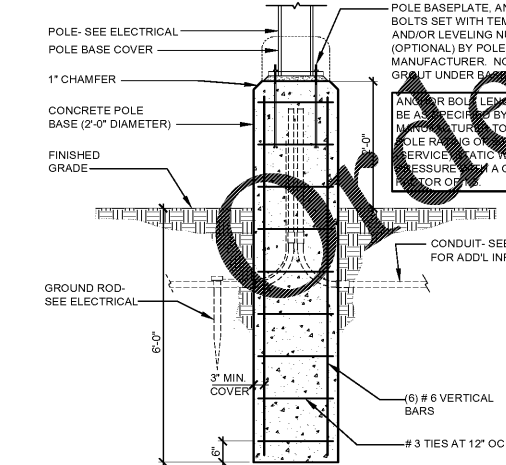
11 SECTION AT ALIGNMENT SLAB
S3 SCALE: 1/2" = 1'-0"



12 SECTION DETAIL
S3 SCALE: 3/4" = 1'-0"



13 TYP. SLAB JOINT DETAILS
S3 SCALE: 1" = 1'-0"



14 LIGHT POLE FOUNDATION
S3 SCALE: 1/2" = 1'-0"

wallace
Wallace Engineering, Inc.
Structural Engineers, Inc.
123 N. Main Street
Gardner, NC 27527
919.384.2862

Firestone COMPLETE AUTO CARE

THIS DRAWING IS THE PROPERTY OF BRIDGESTONE RETAIL OPERATIONS, LLC AND IS LOANED TO THE EXPRESS CONDITION THAT IT SHALL BE USED ONLY FOR THE PROJECT AND SITE SPECIFICALLY IDENTIFIED ON THE DRAWING. ANY REUSE, REPRODUCTION, OR ADJUSTMENT OF THIS DRAWING WITHOUT THE WRITTEN PERMISSION OF BRIDGESTONE RETAIL OPERATIONS, LLC IS STRICTLY PROHIBITED. THE USER SHALL BE RESPONSIBLE FOR OBTAINING ALL NECESSARY PERMITS AND APPROVALS FROM THE APPROPRIATE AGENCIES AND ADMISSION TO THE EXCLUSIVE OWNERSHIP IN AND TO THE DRAWING BY BRIDGESTONE RETAIL OPERATIONS, LLC.

NEW FCAC STORE
2019 - JANUARY - SMALLER
5845 NC HWY 42
GARDNER, NC

2019.09.25 10:47 AM 05/00
NORTH CAROLINA
REGISTERED PROFESSIONAL ENGINEER
CAROLIE J. JOHNSON
North Carolina Certificate of Authorization #C-1162

ISSUE BLOCK	
ADD #1	09/27/19
PROPERTY NO.:	160017
6 DIGIT NO.:	903085
4 DIGIT NO.:	015P
A/R PROJECT NUMBER:	1905B01
TO PERMIT:	DATE: 07/26/19
TO BID:	DATE: TBD
SHEET TITLE: FOUNDATION DETAILS	
SHEET NUMBER: S3	

Sep 25, 2019 - 5:22pm - USER Colby Brown
 \Instruct-serve\Volume\BRO\19171384 - Gardner, NC\Struct\ER_L_S3.dwg