

# FOUNDATION PLAN NOTES

- SEE SHEET S1 FOR GENERAL NOTES AND S3 FOR TYPICAL DETAILS
- ALL ELEVATIONS BASED ON FINISH FLOOR ELEVATION = 100'-0" FOR REFERENCE ONLY. SEE SITE PLAN FOR ACTUAL FINISH FLOOR ELEVATIONS.
- SEE PLAN AND GENERAL STRUCTURAL NOTES FOR TOP OF EXTERIOR FOOTING ELEVATIONS. THE GENERAL CONTRACTOR SHALL COORDINATE ALL TOP OF FOOTING ELEVATIONS WITH THE CIVIL ENGINEERING DRAWINGS AND SITE CONDITIONS.
- PROVIDE CORNER BARS IN ALL CORNERS AND INTERSECTIONS PER 5-S3. LAP SPICE FOOTING CORNER BAR REINFORCING PER TABLE ON SHEET S1.
- REFER TO MECHANICAL DRAWINGS FOR ALL DRAIN LOCATIONS AND SLOPES TO DRAINS.

## SLAB SCHEDULE

LOCATION	THICKNESS* AND REINFORCING	REMARKS
4" INTERIOR SLAB ON GRADE	4" CONCRETE SLAB ON GRADE REINFORCED WITH 6 x 6 - W1.4 x W1.4 W.W.F. - CENTER	COMPACTED GRANULAR SUBBASE PER THE GEOTECHNICAL REPORT
5" INTERIOR SLAB ON GRADE	5" CONCRETE SLAB ON GRADE REINFORCED WITH 6 x 6 - W2.9 x W2.9 W.W.F. - CENTER	COMPACTED GRANULAR SUBBASE PER THE GEOTECHNICAL REPORT
6" EXTERIOR SLAB ON GRADE	6" CONCRETE SLAB ON GRADE REINFORCED WITH 6 x 6 - W2.9 x W2.9 W.W.F. - CENTER	COMPACTED SUBBASE PER THE GEOTECHNICAL REPORT
SIDEWALK	4" CONCRETE SLAB ON GRADE REINFORCED WITH 6 x 6 - W1.4 x W1.4 W.W.F. - CENTER	COMPACTED SUBBASE PER GEOTECHNICAL REPORT - SEE CIVIL DRAWINGS FOR ADDITIONAL INFORMATION

- \* THICKNESS OF SLABS AS SPECIFIED IN SCHEDULE ARE MINIMUMS. THERE SHALL BE NO TOLERANCE FOR SLABS THINNER THAN THOSE SPECIFIED IN SCHEDULE.
- \* COORDINATE LOCATIONS AND EXTENTS OF EXTERIOR CONCRETE SLAB WITH ARCH. AND CIVIL DRAWINGS.
- \* SEE ARCH AND SPECIFICATIONS FOR SLAB FINISH REQUIREMENTS.
- \* CONTRACTOR SHALL OBTAIN FLOOR FLATNESS AND LEVELNESS TESTING (FF & FL) AND PROVIDE FINAL REPORT TO OWNER. SEE SPECIFICATIONS.

## FOOTING SCHEDULE

MARK	SIZE	REINFORCING
F1	4'-0" x 4'-0" x 1'-0"	(4) #5 - EACH WAY, BOTTOM
F2	5'-0" x 5'-0" x 1'-0"	(5) #5 - EACH WAY, BOTTOM
F3	6'-0" x 6'-0" x 1'-0"	(6) #5 - EACH WAY, BOTTOM

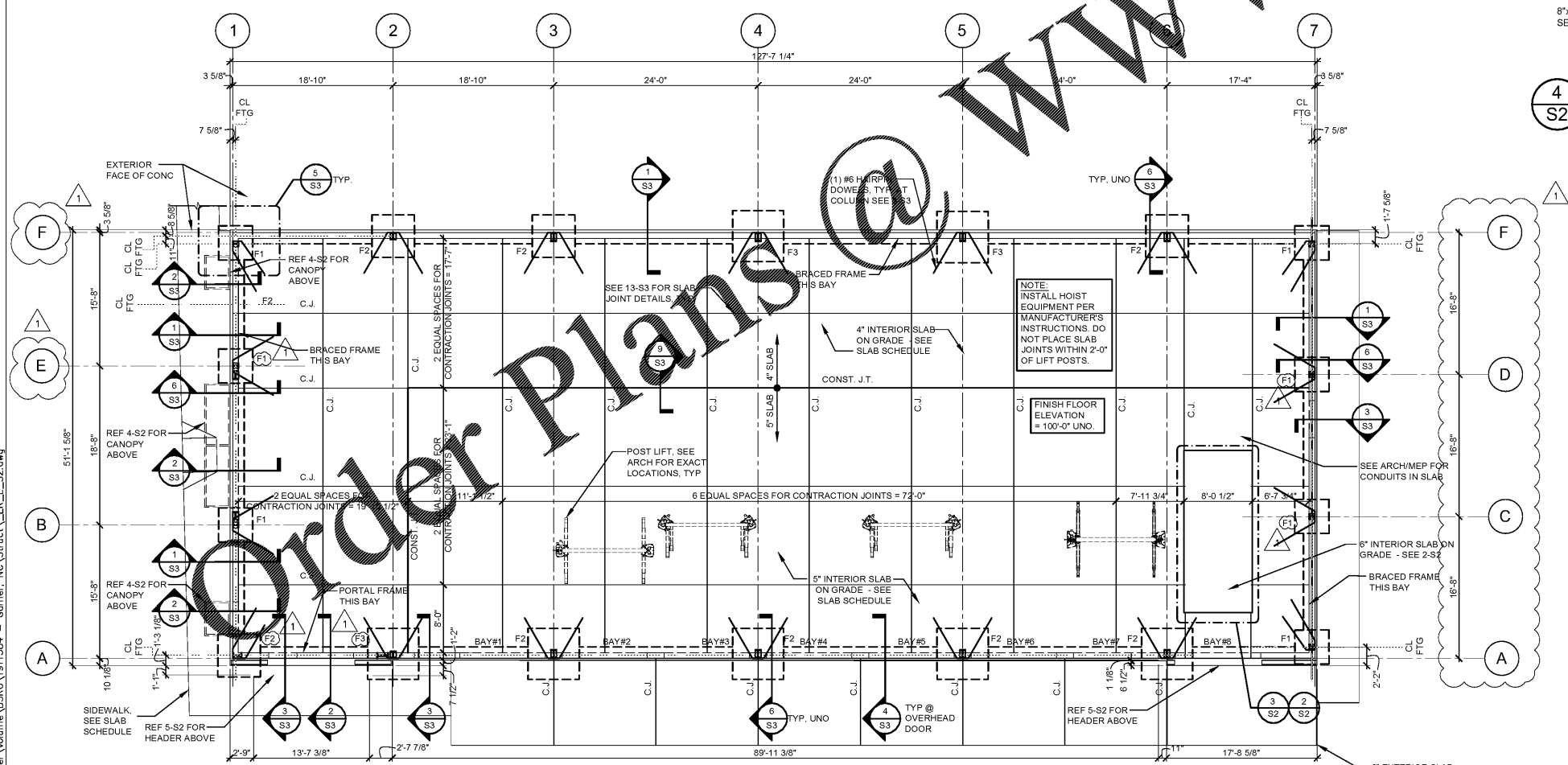
1

2 ALIGNMENT SLAB PLAN  
SCALE: 1/4" = 1'-0"

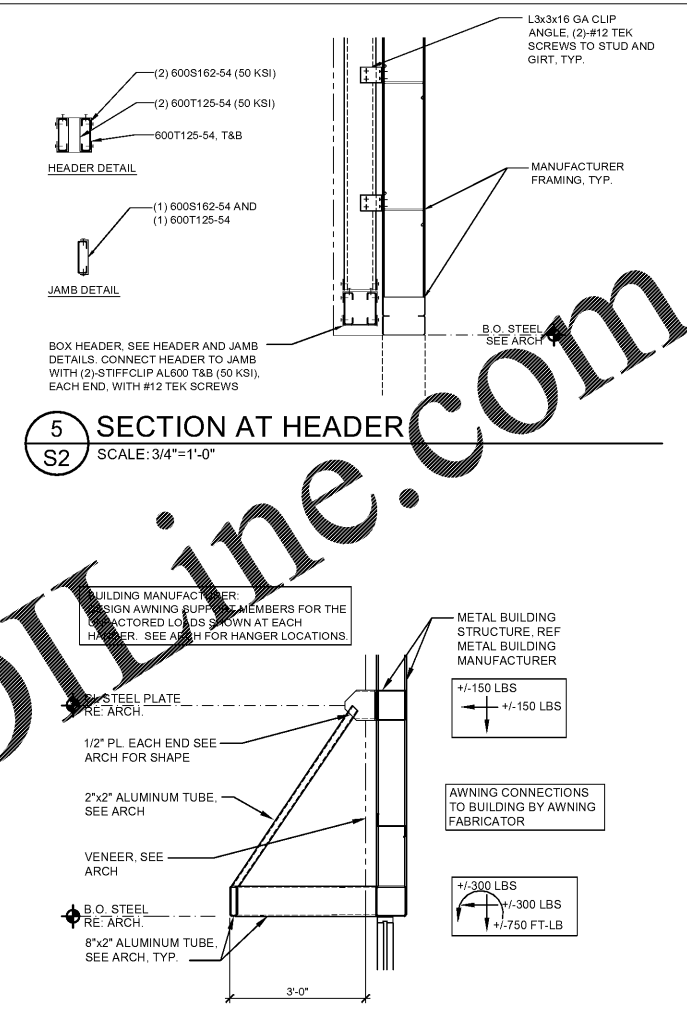
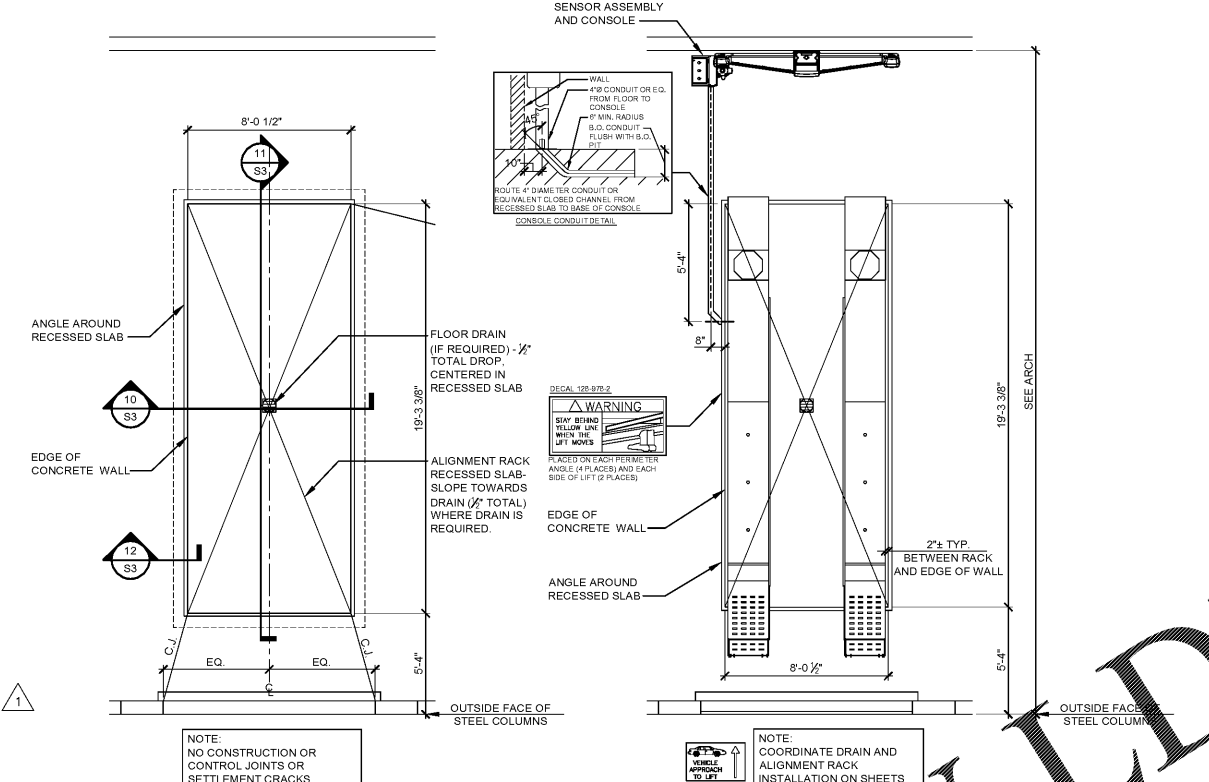
3 ALIGNMENT RACK PLAN  
SCALE: 1/4" = 1'-0"

5 SECTION AT HEADER  
SCALE: 3/4" = 1'-0"

4 ALUMINUM TUBE AWNING SECTION  
SCALE: 1/2" = 1'-0"



1 FOUNDATION PLAN  
SCALE: 1/8" = 1'-0"



Sep 25, 2019 5:21pm - USER: Colby Brown  
 \\fruct-server\volume\BRO\1511384 - Garner, NC\Struct\ER\_L\_S2.dwg

Order Plans @ WWW.LDOnline.com

Wallace Engineering  
Structural Consultants, Inc.  
133 N. North Street, Suite 100  
Charlotte, NC 28202  
704.388.8888

---

---

2010.09.23 09:23:05:00

Laurie J. Johnson  
North Carolina Certificate of Authorization #C-1162

---

ISSUE BLOCK	
ADD #1	09/27/19
PROPERTY NO.:	160017
6 DIGIT NO.:	903085
4 DIGIT NO.:	015P
ADR PROJECT NUMBER:	1955B01
TO PERMIT:	DATE: 07/26/19
TO BID:	DATE: TBD

---

SHEET TITLE:  
**FOUNDATION PLAN AND NOTES**

SHEET NUMBER:  
**S2**