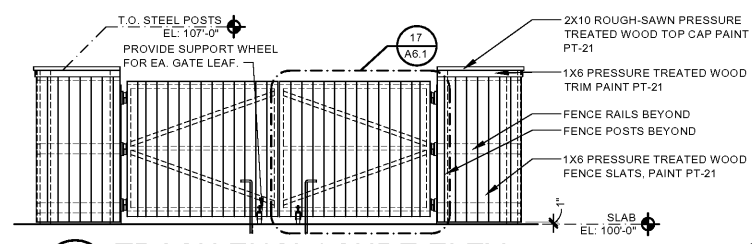
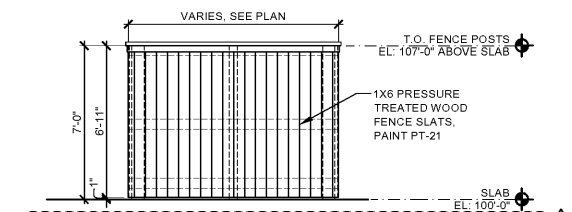


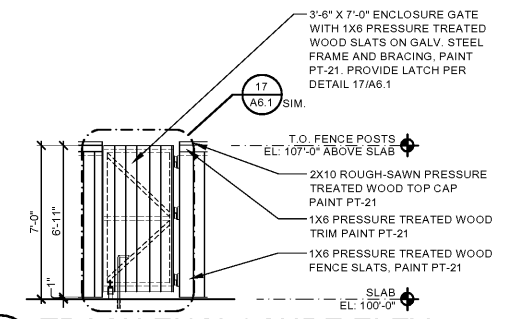
1 TRASH/TIRE ENCLOSURE PLAN  
A6.1 SCALE: 1/4"=1'-0"



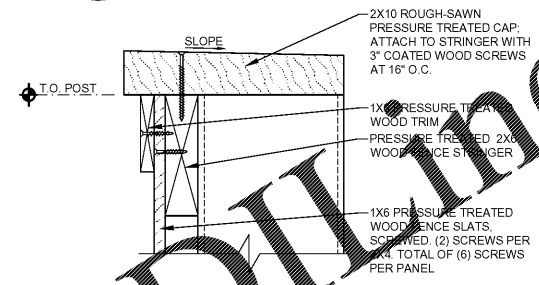
4 TRASH ENCLOSURE ELEV.  
A6.1 SCALE: 1/4"=1'-0"



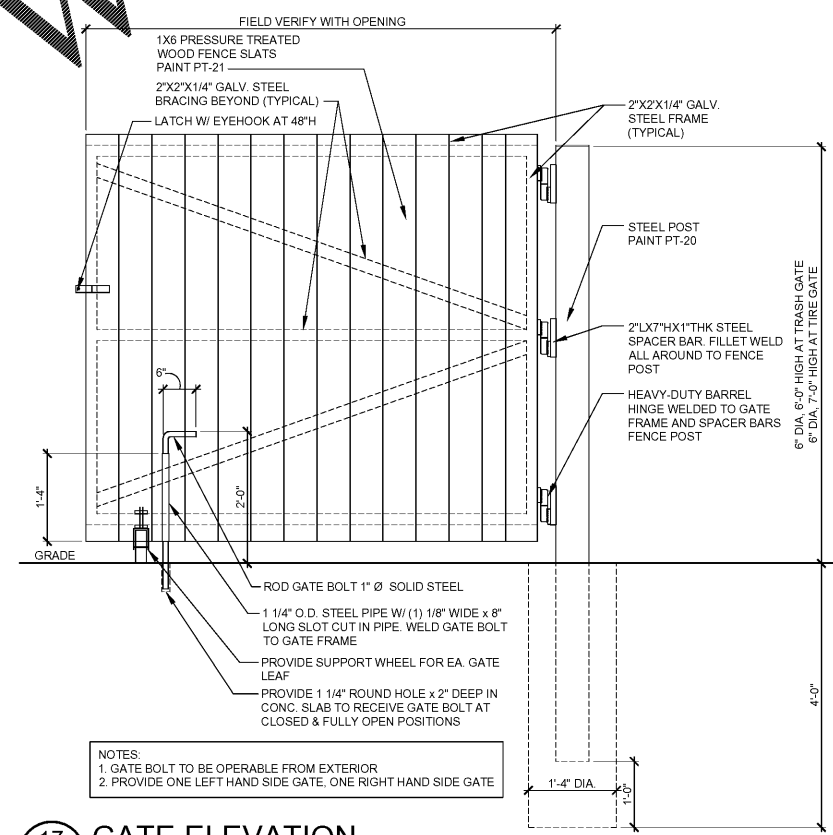
6 TRASH ENCLOSURE ELEV.  
A6.1 SCALE: 1/4"=1'-0"



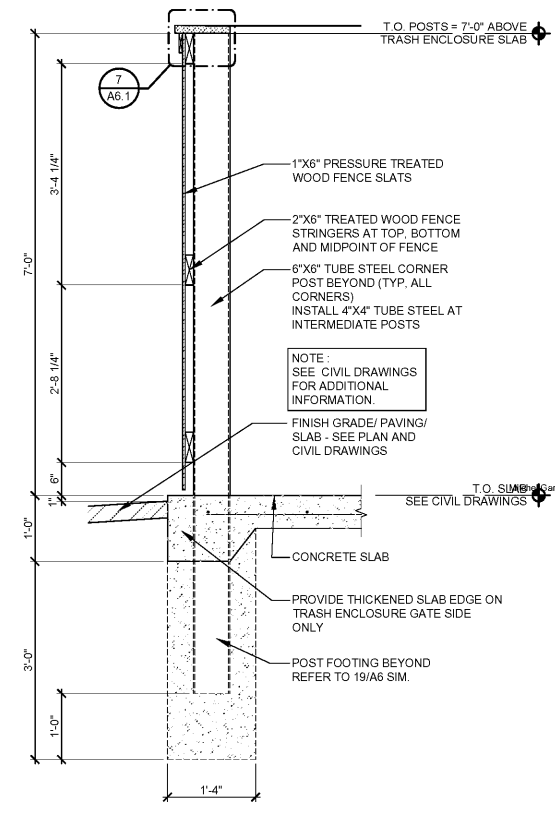
5 TRASH ENCLOSURE ELEV.  
A6.1 SCALE: 1/4"=1'-0"



7 TRASH ENCLOSURE FENCE CAP DETAIL  
A6.1 SCALE: 1/4"=1'-0"



17 GATE ELEVATION  
A6.1 SCALE: 3/4"=1'-0"



20 FENCE SECTION  
A6.1 SCALE: 3/4"=1'-0"

NOTES:  
1. GATE BOLT TO BE OPERABLE FROM EXTERIOR  
2. PROVIDE ONE LEFT HAND SIDE GATE, ONE RIGHT HAND SIDE GATE

Order Plans @ [www.LDOnline.com](http://www.LDOnline.com)

**SGA Design Group, P.C.**  
1437 South Boulder, Suite 550  
Tulsa, Oklahoma 74119-3609  
p. 918.587.8601  
f. 918.587.8601  
www.sgaesigngroup.com

**Firestone COMPLETE AUTO CARE**

THE DRAWING IS THE PROPERTY OF BRIDGESTONE RETAIL OPERATIONS, LLC AND IS LOANED ON THE EXPRESS CONDITION THAT IT IS TO BE USED ONLY FOR THE PROJECT AND SITE SPECIFICALLY IDENTIFIED HEREIN. NO REPRODUCTION, COPIING, OR ALTERATION OF THIS DRAWING IS PERMITTED WITHOUT THE WRITTEN CONSENT OF BRIDGESTONE RETAIL OPERATIONS, LLC. THE ACCEPTANCE OF THIS DRAWING BY THE CONTRACTOR SHALL BE DEEMED AS ACCEPTANCE OF THE PROJECT CONDITIONS AND ADMISSION TO THE EXCLUSIVE OWNERSHIP IN AND TO THE DRAWING BY BRIDGESTONE RETAIL OPERATIONS, LLC.

REPRODUCTION OF THIS DRAWING FOR ANY OTHER PROJECT OR SITE WITHOUT THE WRITTEN CONSENT OF BRIDGESTONE RETAIL OPERATIONS, LLC IS STRICTLY PROHIBITED. ANY VIOLATION OF THIS POLICY WILL BE CONSIDERED A BREACH OF CONTRACT AND SUBJECT TO LEGAL ACTION.

**NEW FCAC STORE**  
2019 - JANUARY - SMALL ER  
5845 NC HWY 42  
GARNER, NC

SGA DESIGN GROUP, P.C.  
Professional Corporation  
51720  
Tulsa, Oklahoma  
M.T. GARRETT  
REGISTERED ARCHITECT  
12330  
TULSA, OK

Digitally signed by Mike Garrett Date: 2019.09.27 15:28:00 -0500  
09/27/2019

ISSUE BLOCK	
09/27/19	ADD #1

PROPERTY NO.: 160017  
6 DIGIT NO.: 903065  
4 DIGIT NO.: 015P  
AOR PROJECT NUMBER: 1955B01  
TO PERMIT: DATE: 07/26/19  
TO BID: DATE: ##-##-##  
JAD

SHEET TITLE:  
**TRASH/TIRE ENCLOSURE DETAILS**

SHEET NUMBER:  
**A6.1**