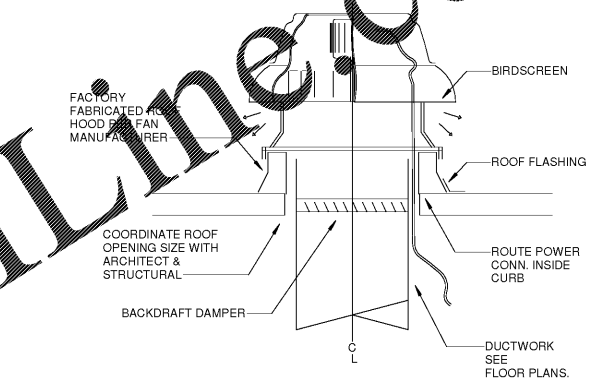
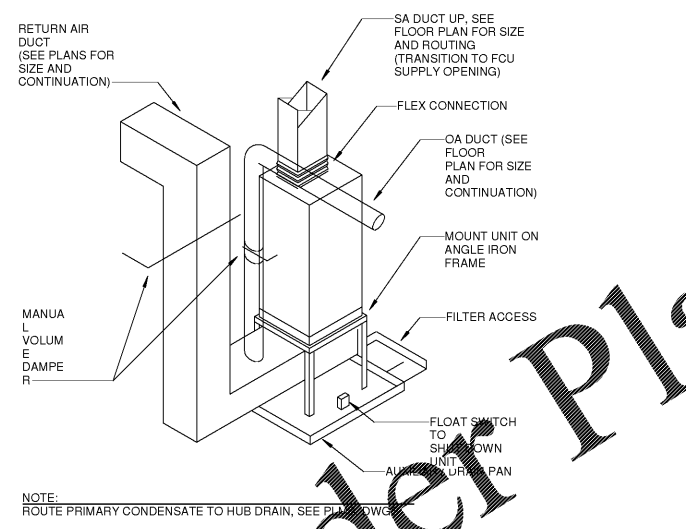


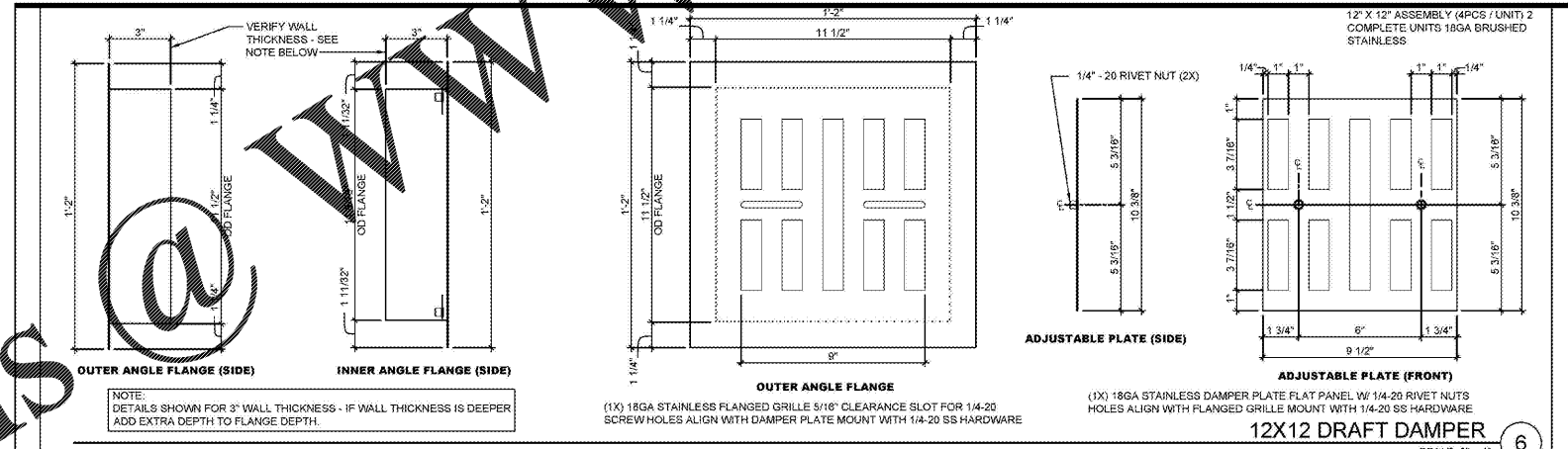
1 **LOW SIDEWALL, FILTERED RETURN/EXHAUST PLENUM BOX**
MO.3 N.T.S.



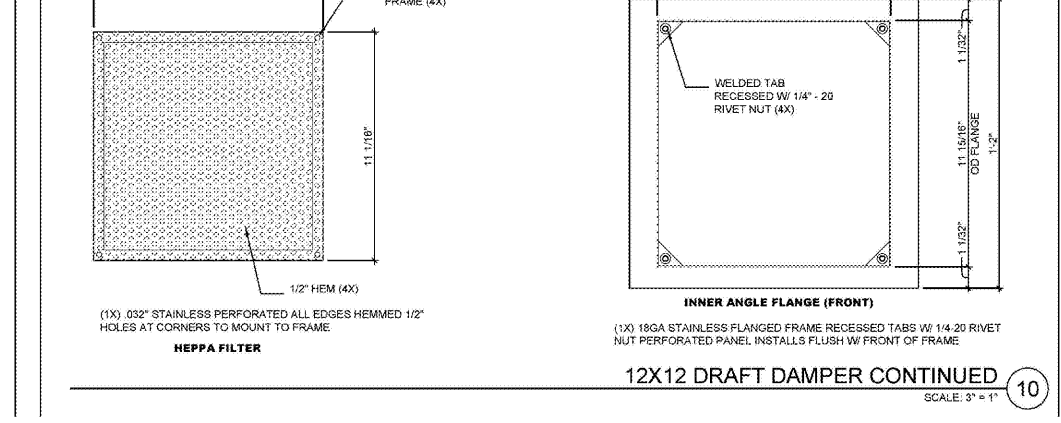
2 **ROOF CENTRIFUGAL EXHAUST FAN**
MO.3 N.T.S.



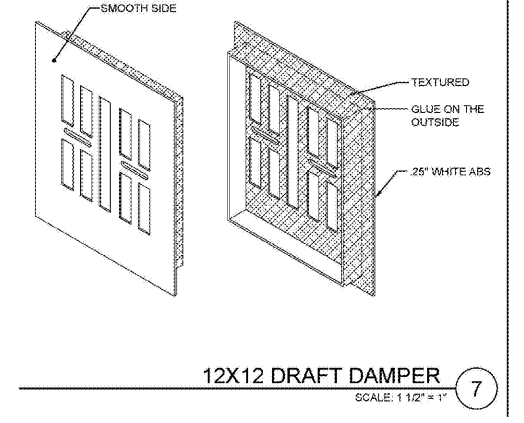
3 **VERTICAL FAN COIL UNIT WITH DUCTED RETURN**
MO.3 N.T.S.



6 **12X12 DRAFT DAMPER**
SCALE: 3" = 1"



4 **SIDEWALL DRAFT DAMPER**
MO.3 N.T.S.



7 **12X12 DRAFT DAMPER**
SCALE: 1 1/2" = 1"



THIS DRAWING IS THE PROPERTY OF CROSSFIELDS, INC. AND ANY REPRODUCTION OR COPYING OF THIS DRAWING, IN WHOLE OR PART IS PROHIBITED WITH OUT WRITTEN PERMISSION.

INNOVATION
COMPOUNDING
DR. SHAWN HODGES
6095 PINE MOUNTAIN RD., SUITE 104
KENNESAW, GA 30152

REVISIONS:		
NO.	DATE	DESCRIPTION

DRAWN BY: AS
CHECKED BY: PK
DATE: 09.24.19
PROJECT NUMBER: 17125-IC
SHEET NO:

MO.3

ISSUED FOR PERMITTING