

SPECIFICATIONS

DUCTLESS SPLIT SYSTEM

WALL-MOUNTED & HIGH STATIC DUCTED INDOOR UNIT
STANDARD PREFILTER IS INCLUDED WITH INDOOR UNIT
CHOICE OF FAN SPEEDS: LOW, MEDIUM, HIGH
INDOOR UNIT POWERED FROM OUTDOOR UNIT
AUTO RESTART FOLLOWING A POWER OUTAGE
BASE HEATER
LIMITED WARRANTY: FIVE YEARS ON PARTS AND DEFECTS AND SEVEN YEARS ON THE COMPRESSOR

SEE SCHEDULE FOR LIST OF ACCEPTABLE MANUFACTURERS.

CONDENSING UNIT:

EQUIPMENT
— FACTORY ASSEMBLED, SINGLE PIECE, AIR-COOLED CONDENSING UNIT, CONTAINED WITHIN THE UNIT ENCLOSURE IS ALL FACTORY WIRING, PIPING, CONTROLS, COMPRESSOR, REFRIGERANT CHARGE OF R-410A, AND SPECIAL FEATURES REQUIRED PRIOR TO FIELD START-UP.

UNIT CABINET
— UNIT CABINET WILL BE CONSTRUCTED OF GALVANIZED STEEL, BONDERIZED, AND COATED WITH A POWDER COAT PAINT.

FANS
— CONDENSER FAN WILL BE DIRECT-DRIVE PROPELLER TYPE, DISCHARGING AIR UPWARD.
— CONDENSER FAN MOTORS WILL BE TOTALLY ENCLOSED, 1-PHASE TYPE WITH CLASS B INSULATION AND PERMANENTLY LUBRICATED BEARINGS.
— SHAFTS WILL BE CORROSION RESISTANT.
— FAN BLADES WILL BE STATICALLY AND DYNAMICALLY BALANCED.
— CONDENSER FAN OPENINGS WILL BE EQUIPPED WITH STEEL WIRE SAFETY GUARDS.

COMPRESSOR
— COMPRESSOR WILL BE HERMETICALLY SEALED.
— COMPRESSOR WILL BE MOUNTED ON RUBBER VIBRATION ISOLATORS.

CONDENSER COIL
— CONDENSER COIL WILL BE AIR COOLED.
— COIL WILL BE CONSTRUCTED OF ALUMINUM FINS MECHANICALLY BONDED TO COPPER TUBES WHICH ARE THEN CLEANED, DEHYDRATED, AND SEALED.

REFRIGERATION COMPONENTS
— REFRIGERATION CIRCUIT COMPONENTS WILL INCLUDE LIQUID-LINE SHUTOFF VALVE WITH SWEAT CONNECTIONS, VAPOR-LINE SHUTOFF VALVE WITH SWEAT CONNECTIONS, SYSTEM CHARGE OF R-410A REFRIGERANT, POE COMPRESSOR OIL, AND ACCUMULATOR.

SEE SCHEDULE FOR LIST OF ACCEPTABLE MANUFACTURERS.

FAN COIL UNIT:

GENERAL: EXCEPT AS OTHERWISE INDICATED, PROVIDE FAN COIL UNIT MANUFACTURER'S STANDARD MATERIALS AND COMPONENTS AS INDICATED BY PUBLISHED PRODUCT INFORMATION. DESIGNED AND CONSTRUCTED AS RECOMMENDED BY MANUFACTURER, AND AS REQUIRED FOR A COMPLETE INSTALLATION.

COOLING COILS: EXCEPT AS OTHERWISE INDICATED, PROVIDE MANUFACTURER'S STANDARD COIL OF INDICATED TYPE AND RATED FOR INDICATED CAPACITY. COPPER TUBE COILS, MECHANICALLY EXPANDED INTO ALUMINUM PLATE FINS, RATED AT 250 PSIG AND LEAK TESTED AT 350 PSIG MIN. AIR PRESSURE. PROVIDE MANUAL AIR VENTS.

ELECTRIC HEATING COILS SHALL BE AN OPEN GRID TYPE WITH FACTORY INSTALLED HIGH LIMIT CONTROL. HEATER SHALL BE FULLY ACCEPTABLE THROUGH THE DISCHARGE GRILLE OPENINGS.

THE FAN SHALL BE A CENTRIFUGAL FORWARD CURVED, DOUBLE WIDTH, DOUBLE INLET, DIRECT DRIVE TYPE. BALANCED STATICALLY AND DYNAMICALLY, AND OF INDICATED CAPACITY.

MOTORS SHALL BE OF INDICATED CAPACITY, 3 SPEED, PERMANENT SPLIT CAPACITOR, INSTALLED FOR EASY REMOVAL. PROVIDE MOTORS WITH AUTOMATIC-RESET AND INTEGRAL THERMAL OVERLOAD PROTECTION. MOTORS SHALL BE CAPABLE OF OPERATING AT TEMPERATURES INDICATED ON DRAWINGS WITHOUT OVERLOADING. MOTOR SHALL BE CAPABLE OF FIELD OILING AS REQUIRED.

CABINETS: CABINETS SHALL BE FABRICATED OF 18 GAUGE STEEL AND HAVE BAKED ENAMEL FINISH. ALL SURFACES IN CONTACT WITH AIR STREAM SHALL BE INSULATED WITH HALF INCH THICK, 1-1/2 POUND DENSITY, MATT FACED, GLASS FIBER INSULATION.

THE FILTER SHALL BE ONE INCH THICK, THROWAWAY GLASS FIBER TYPE.

THE DRAIN PAN SHALL BE REMOVABLE AND HAVE SELF EXTINGUISHER THREE (3) POUND DENSITY CELLULAR POLYSTYRENE PLASTIC LINER, THE DRAIN PAN SHALL EXTEND UNDER THE ENTIRE COIL SECTION.

THERMOSTAT SHALL BE 7-DAY PROGRAMMABLE TYPE.

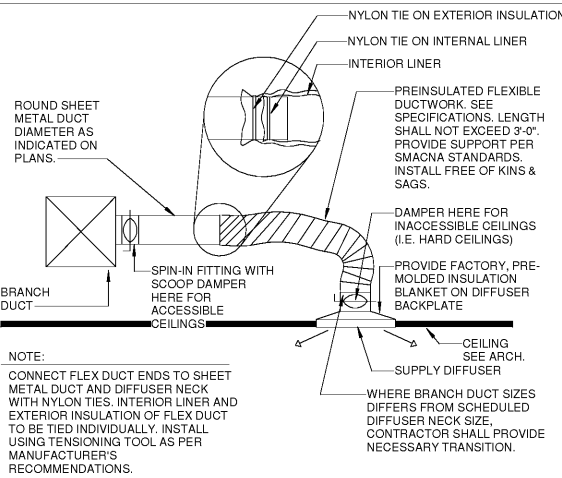
SEE SCHEDULE FOR LIST OF ACCEPTABLE MANUFACTURERS.

LEGEND

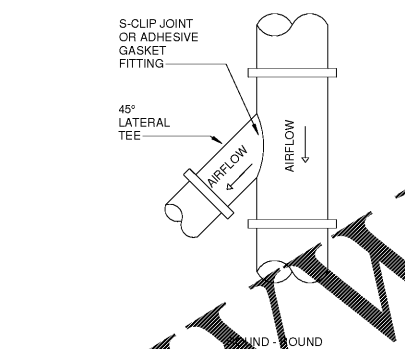
SYMBOLS	DESCRIPTION
X1 X2	DIFFUSER, GRILLE, REGISTER OR LOUVER TAG X1 = TYPE, X2 = CFM
☒	POSITIVE PRESSURE (AIR GOES OUT) DIFFUSER OR REGISTER, 4-WAY AIR PATTERN (UNLESS OTHERWISE NOTED)
☑	NEGATIVE PRESSURE (AIR GOES IN) GRILLE
→	POSITIVE PRESSURE AIRFLOW (TYP. SUPPLY)
↔	NEGATIVE PRESSURE AIRFLOW (TYP. RETURN/EXHAUST)
	FLEXIBLE DUCT
	MANUAL VOLUME DAMPER (MVD)
FD	VERTICAL (TYP. WALL) FIRE DAMPER
FSD	VERTICAL (TYP. WALL) COMBINATION FIRE/SMOKE DAMPER
FD	HORIZONTAL (TYP. FLOOR/CEILING) FIRE DAMPER
FSD	HORIZONTAL (TYP. FLOOR/CEILING) COMBINATION FIRE/SMOKE DAMPER
T	THERMOSTAT
H	HUMIDISTAT
S	ROOM SENSOR (TEMPERATURE, HUMIDITY, PRESSURE)
▭	INTERNALLY LINED DUCT
⬆	DUCT UP
⬇	DUCT UP
⬇	DUCT DN
▭	SUPPLY DUCT
UNIT #	EQUIPMENT TYPE EQUIPMENT NUMBER. WHERE A LETTER IS USED, THERE ARE MULTIPLE INSTANCES.

ABBREVIATIONS

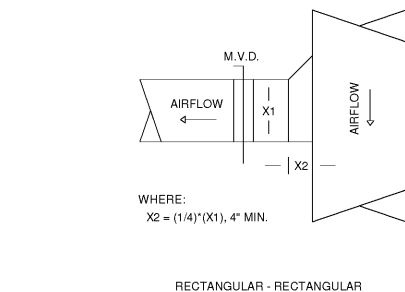
AFF	ABOVE FINISHED FLOOR	MAU	MAKE-UP AIR UNIT
AHU	AIR HANDLING UNIT	MAV	MANUAL AIR VENT
CO2	CARBON DIOXIDE	MBH	1,000 BTU PER HOUR
D	CONDENSATE DRAIN	MFCU	MINI FAN COIL UNIT
DB	DRY BULB	MHP	MINI HEAT PUMP
EA	EXHAUST AIR	MVD	MANUAL VOLUME DAMPER
EDH	ELECTRIC DUCT HEATER	NC	NORMALLY CLOSED
EF	EXHAUST FAN	NO	NORMALLY OPEN
ESP	EXTERNAL STATIC PRESSURE	OA	OUTSIDE AIR
EWH	ELECTRIC WALL HEATER	OBD	OPPOSED BLADE DAMPER
F	DEGREES FAHRENHEIT	PDH	POOL DEHUMIDIFYING UNIT
FCU	FAN COIL UNIT	PIU	POWER INDUCTION UNIT
FD	FIRE DAMPER	RA	RETURN AIR
FSD	FIRE/SMOKE DAMPER	RH	RELIEF HOOD
H	HUMIDISTAT	RTU	ROOFTOP UNIT
IH	INTAKE HOOD	SA	SUPPLY AIR
L	LEAVING AIR TEMPERATURE	SP	STATIC PRESSURE
LWT	LEAVING WATER TEMPERATURE	UC	UNDER CUT DOOR
M	MOTOR	VAV	VARIABLE AIR VOLUME
MA	MAKE-UP AIR	WB	WET BULB



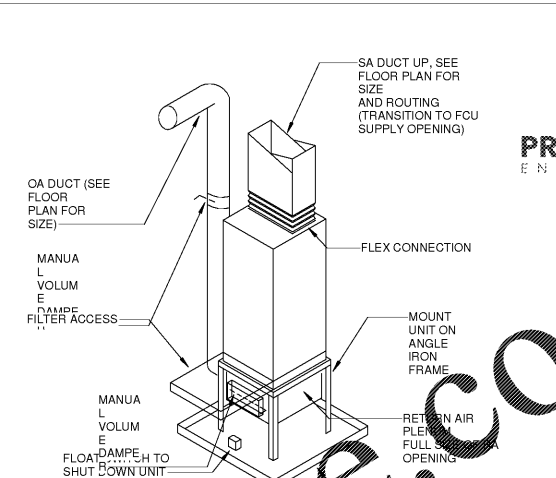
1 M0.2 N.T.S.



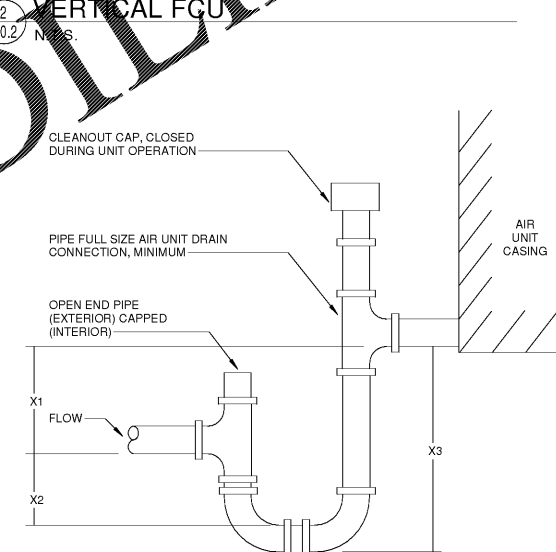
2 M0.2 N.T.S.



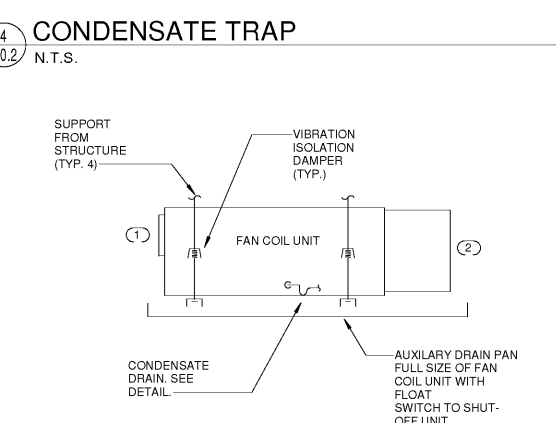
3 M0.2 N.T.S.



4 M0.2 N.T.S.



5 M0.2 N.T.S.



6 M0.2 N.T.S.



7 M0.2 N.T.S.



CROSSFIELDS
CHIROPRACTIC OFFICE DESIGN

3245 Brannan Pacesetter Trail
Kennesaw, GA 30144
Office: 770.424.9200
Web: www.ChiropracticOfficeDesign.com



THIS DRAWING IS THE PROPERTY OF CROSSFIELDS, INC. AND ANY REPRODUCTION OR COPYING OF THIS DRAWING, IN WHOLE OR PART IS PROHIBITED WITHOUT WRITTEN PERMISSION.

INNOVATION
COMPOUNDING
DR. SHAWN HODGES
6095 PINE MOUNTAIN RD., SUITE 104
KENNESAW, GA 30152

REVISIONS:

NO.	DATE	DESCRIPTION

DRAWN BY: AS
CHECKED BY: PK
DATE: 09.24.19
PROJECT NUMBER: 17125-IC
SHEET NO:

M0.2

Order Plans @

WWW.LDILine.com

ISSUED FOR PERMITTING