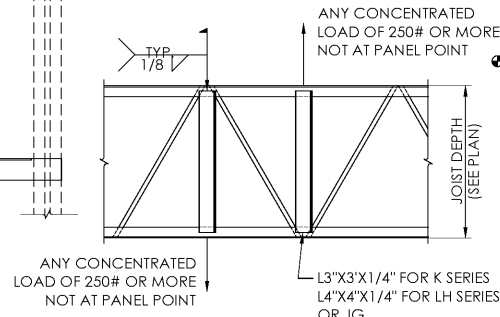


ROOF FRAME SCHEDULE

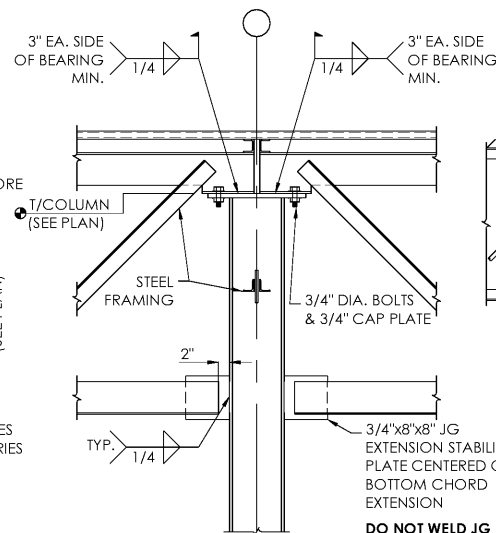
SPAN	OPENING	RTU SUPPORT
4'-0" MAX	L3x3x1/4	L6x4x5/16
6'-0" MAX	L4x3x1/4 LLV	L6x4x5/16
8'-0" MAX	L5x3x1/4 LLV	L6x4x5/16
10'-0" MAX	L6x4x5/16 LLV	L6x4x5/16

NOTES:  
1. RTU OPERATING WEIGHT OF 2400 LBS. MAX. PER JOISTSPAN

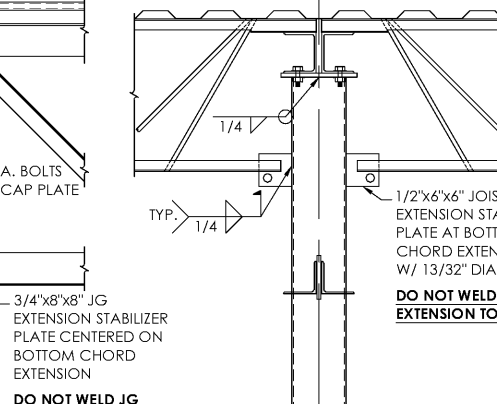
DETAIL 1  
SCALE: N.T.S.



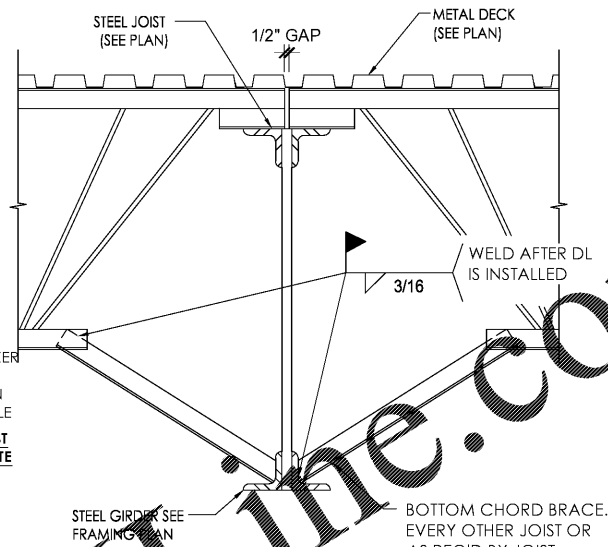
DETAIL 2  
SCALE: N.T.S.



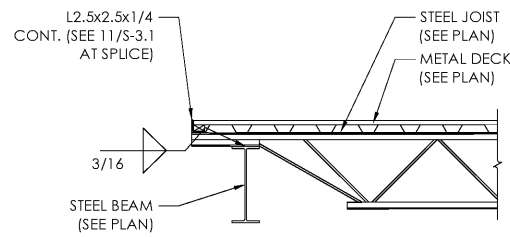
DETAIL 3  
SCALE: N.T.S.



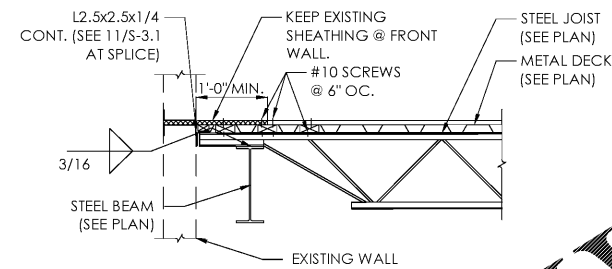
DETAIL 4  
SCALE: N.T.S.



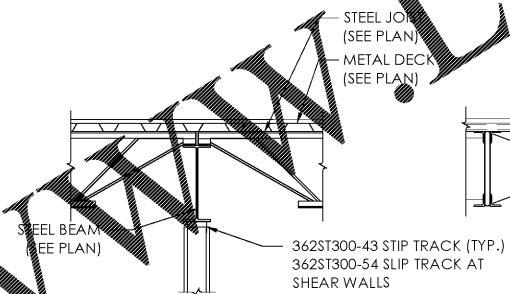
SECTION 5  
SCALE: N.T.S.



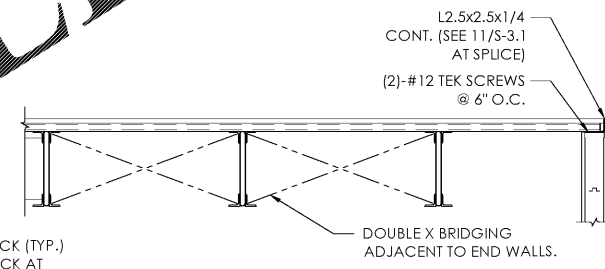
SECTION 6  
SCALE: N.T.S.



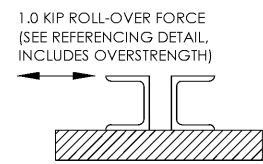
SECTION 7  
SCALE: N.T.S.



SECTION 8  
SCALE: N.T.S.

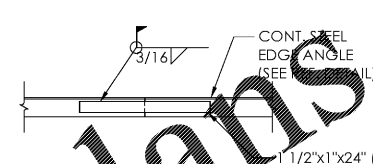


SECTION 9  
SCALE: N.T.S.

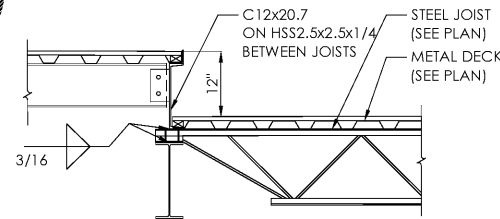


NOTE:  
APPLIES TO JOIST BEARINGS @ SHEAR WALLS.

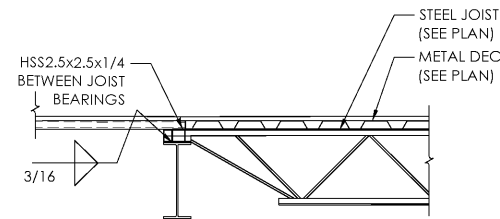
DETAIL 10  
SCALE: N.T.S.



DETAIL 11  
SCALE: N.T.S.



DETAIL 12  
SCALE: N.T.S.



DETAIL 13  
SCALE: N.T.S.

Order Plans @ [www.LDOnline.com](http://www.LDOnline.com)

**CROSSFIELDS**  
CHIROPRACTIC OFFICE DESIGN

3215 SHAWNEE PARKWAY, SUITE 104  
KENNESAW, GEORGIA 30152  
OFFICE: 770.424.0020  
WEB: [www.ChiropracticOfficeDesign.com](http://www.ChiropracticOfficeDesign.com)



THIS DRAWING IS THE PROPERTY OF CROSSFIELDS, INC. AND ANY REPRODUCTION OR COPYING OF THIS DRAWING, IN WHOLE OR PART IS PROHIBITED WITH OUT WRITTEN PERMISSION.

**INNOVATION  
COMPOUNDING**  
DR. SHAWN HODGES  
6095 PINE MOUNTAIN RD. SUITE 104  
KENNESAW, GA 30152

REVISIONS:

NO.	DATE	DESCRIPTION

DRAWN BY: DES CHECKED BY: DES

DATE: 9/24/2019

PROJECT NUMBER:

SHEET NO:

S-3.2

**D E SMITH**  
Engineering & Design

314 Ross Creek Way  
Woodstock, Georgia 30189  
(770) 975-0188  
[www.desengineering.com](http://www.desengineering.com)

CONSTRUCTION DRAWINGS