

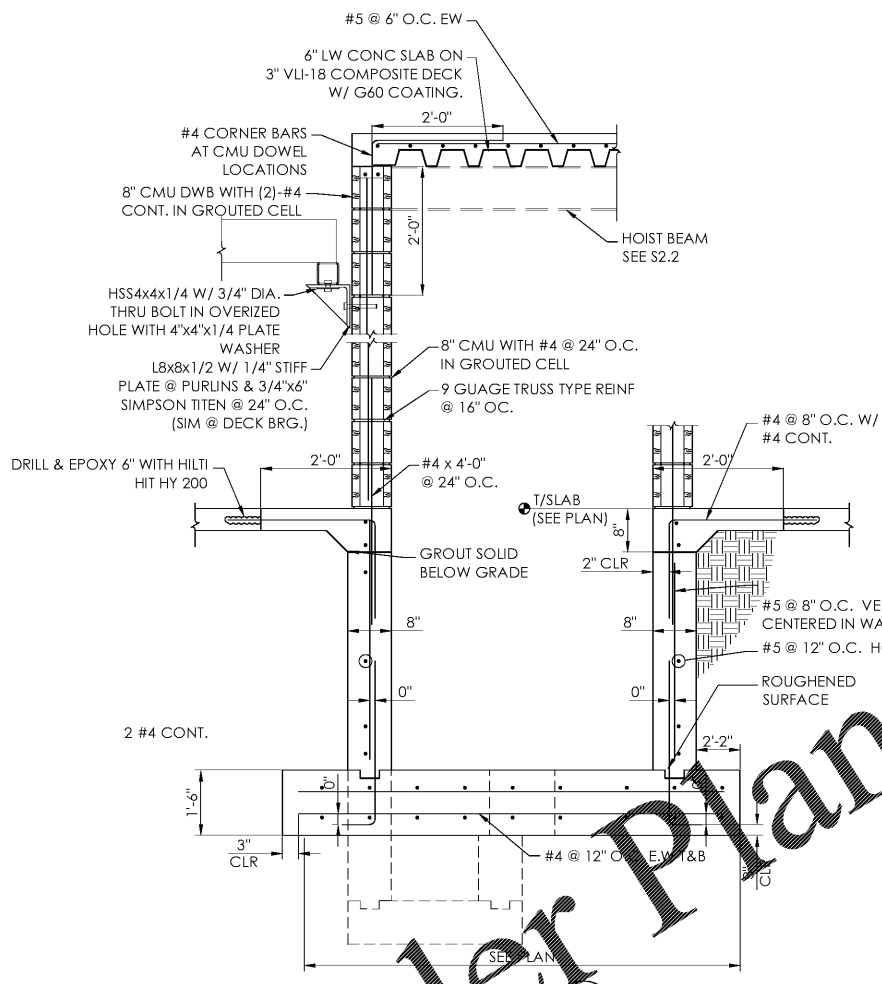
DETAIL 1  
SCALE: N.T.S.

SECTION 2  
SCALE: N.T.S.

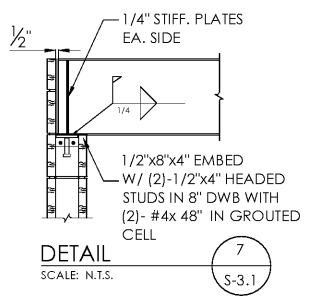
DETAIL 3  
SCALE: N.T.S.

DETAIL 4  
SCALE: N.T.S.

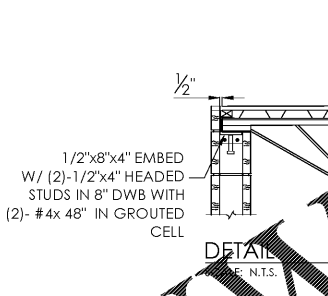
DETAIL 5  
SCALE: N.T.S.



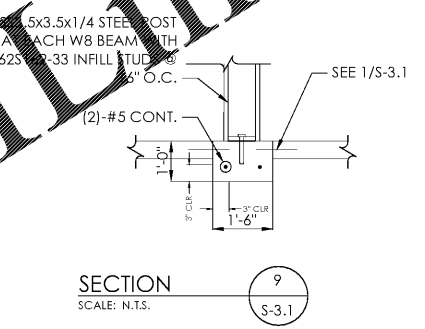
DETAIL 6  
SCALE: N.T.S.



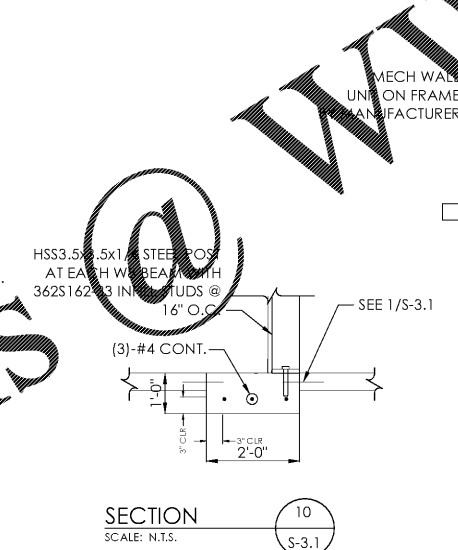
DETAIL 7  
SCALE: N.T.S.



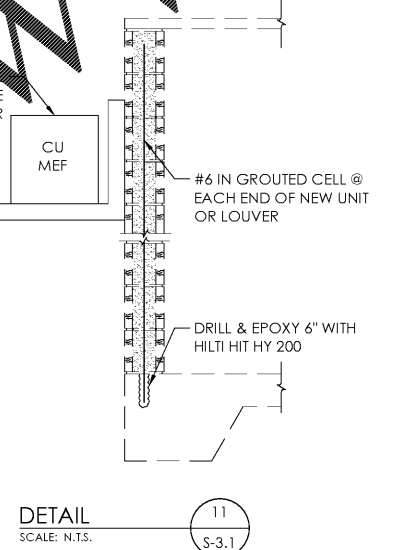
DETAIL 8  
SCALE: N.T.S.



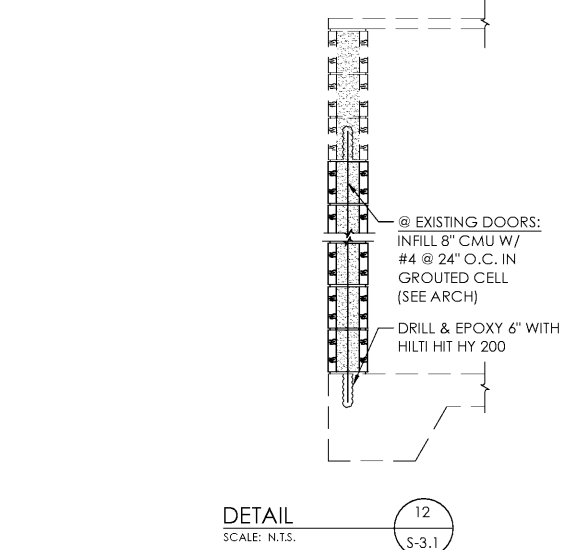
SECTION 9  
SCALE: N.T.S.



SECTION 10  
SCALE: N.T.S.



DETAIL 11  
SCALE: N.T.S.

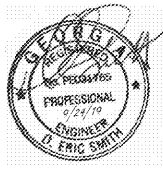


DETAIL 12  
SCALE: N.T.S.

Order Plans @ WWW.MEDLINE.com

**CROSSFIELDS**  
CHIROPRACTIC OFFICE DESIGN

3245 SHAWNEE PARKWAY, SUITE 104  
KENNESAW, GEORGIA 30152  
OFFICE: 770.424.0020  
WEB: WWW.CHIOPRACTICOFFICEDSIGN.COM



THIS DRAWING IS THE PROPERTY OF CROSSFIELDS, INC. AND ANY REPRODUCTION OR COPYING OF THIS DRAWING, IN WHOLE OR PART IS PROHIBITED WITH OUT WRITTEN PERMISSION.

**INNOVATION COMPOUNDING**  
**DR. SHAWN HODGES**  
6095 PINE MOUNTAIN RD. SUITE 104  
KENNESAW, GA 30152

REVISIONS:		
NO.	DATE	DESCRIPTION

DRAWN BY: DES  
CHECKED BY: DES  
DATE: 9/24/2019  
PROJECT NUMBER:  
SHEET NO: S-3.1

**D E SMITH**  
Engineering & Design  
314 Ross Creek Way  
Woodstock, Georgia 30099  
(770) 975-0368  
www.desengineering.com

CONSTRUCTION DRAWINGS