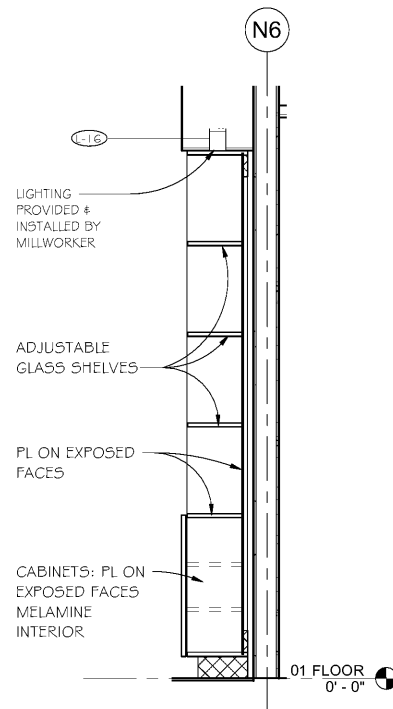


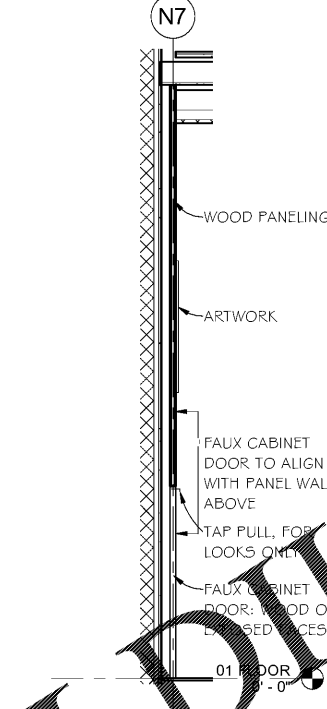
MILLWORK SECTION- RETAIL WINDOW

10 ID-2.7 3/4" = 1'-0"



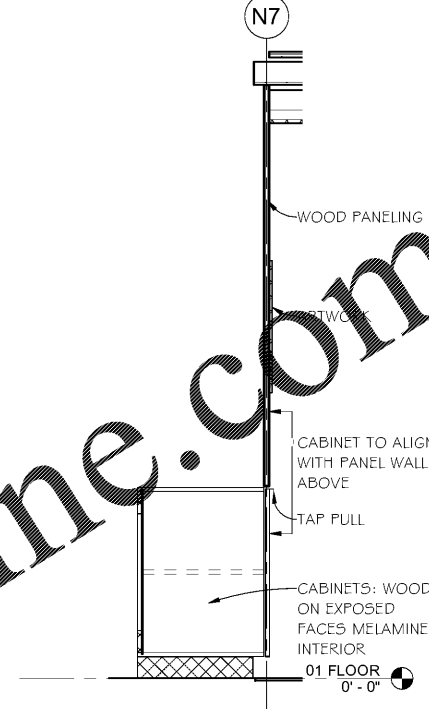
MILLWORK SECTION- RETAIL WINDOW

9 ID-2.7 3/4" = 1'-0"



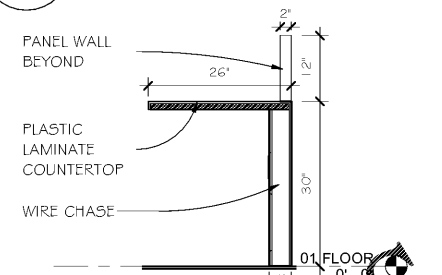
MILLWORK SECTION- RECEPTION BACK WALL FAUX CABINET

8 ID-2.7 3/4" = 1'-0"



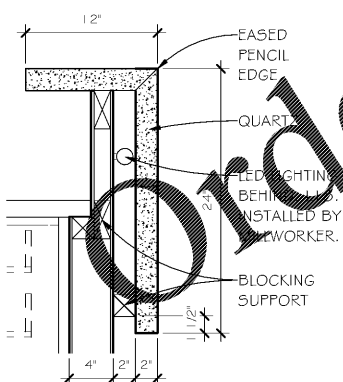
MILLWORK SECTION- RECEPTION BACK WALL

7 ID-2.7 3/4" = 1'-0"



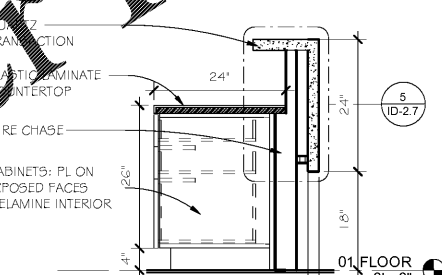
MILLWORK SECTION- RECEPTION AREA COUNTER

6 ID-2.7 3/4" = 1'-0"



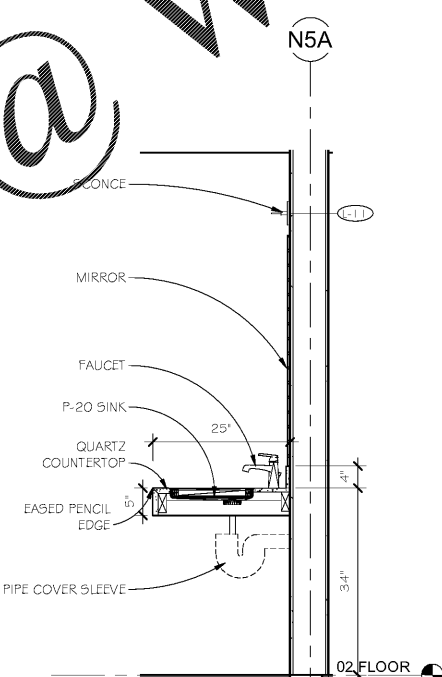
MILLWORK DETAIL- RECEPTION DESK

5 ID-2.7 1 1/2" = 1'-0"



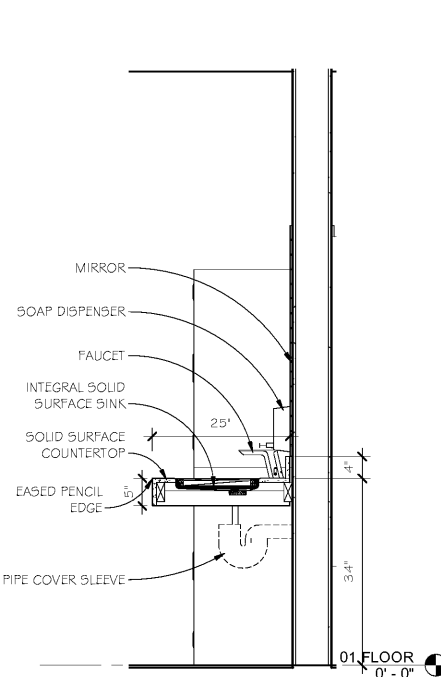
MILLWORK SECTION- RECEPTION DESK

4 ID-2.7 3/4" = 1'-0"



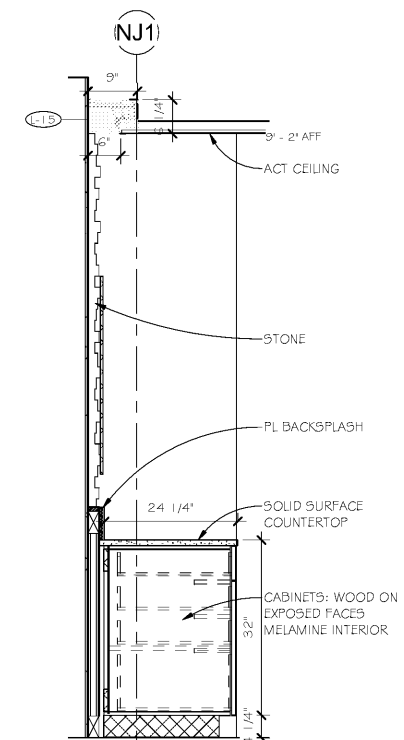
SECTION- 217 & 220 RESTROOM

3 ID-2.7 3/4" = 1'-0"



SECTION- 120 RESTROOMS

2 ID-2.7 3/4" = 1'-0"



SECTION- LIBRARY

1 ID-2.7 3/4" = 1'-0"

CROSSFIELDS
CHIROPRACTIC OFFICE DESIGN

3265 Spinnaker Parkway
Atlanta, GA 30328
Office: 770.434.9220
Fax: 770.434.9220
www.ChiropracticOfficeDesign.com

THIS DRAWING IS THE PROPERTY OF CROSSFIELDS, INC. AND ANY REPRODUCTION OR COPYING OF THIS DRAWING, IN WHOLE OR PART IS PROHIBITED WITHOUT WRITTEN PERMISSION.

INNOVATION
COMPOUNDING
DR. SHAWN HODGES
6095 PINE MOUNTAIN RD., SUITE 104
KENNESAW, GA 30152

REVISIONS:		
NO.	DATE	DESCRIPTION

DRAWN BY: CMB/LEB
CHECKED BY: CMB
DATE: 09.24.19
PROJECT NUMBER: 17125-IC
SHEET NO:

ID-2.7

FOR PERMIT