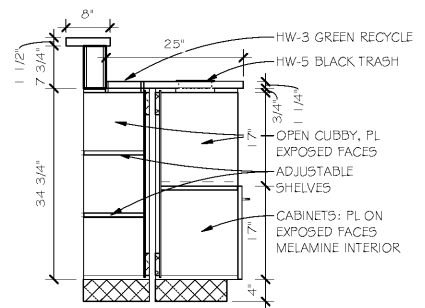


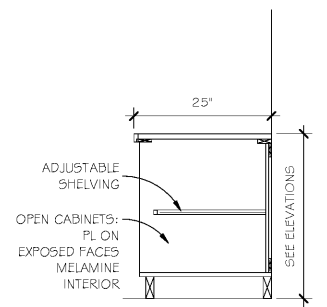
MILLWORK PLAN - ENL GBB GROMMETS

3 ID-2.6 1/2" = 1'-0"

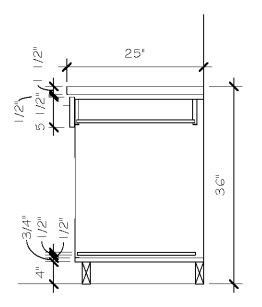


MILLWORK SECTION- TYPE W

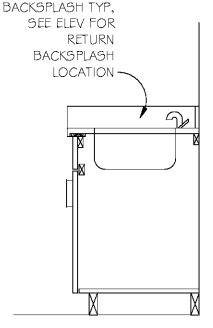
2 ID-2.6 3/4" = 1'-0"



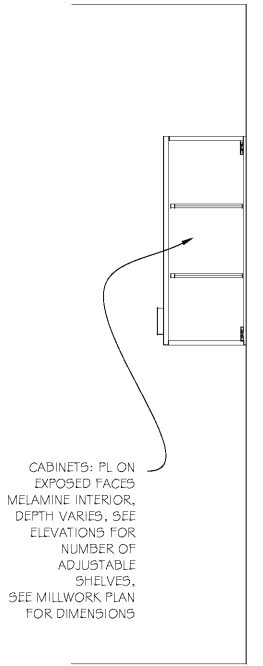
O CUBBIES, FILE/PEDESTAL W/ LOCK



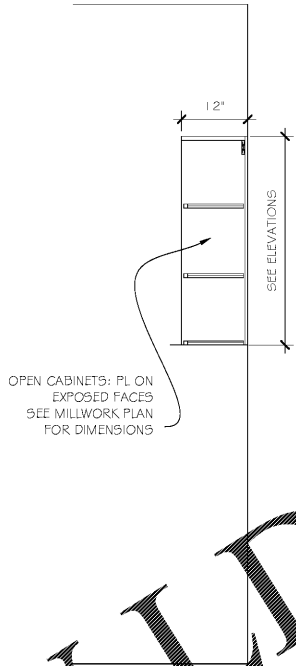
F PENCIL DRAWER & PULL OUT PRINTER SHELF



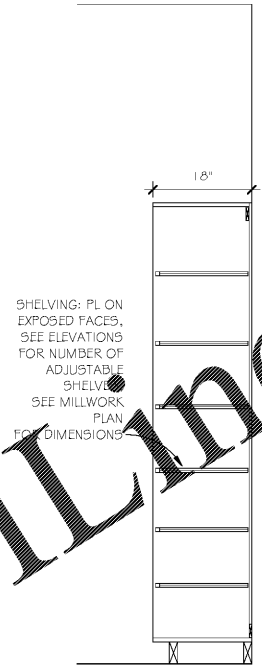
S BASE CABINET @ PARALLEL APPROACH ADA SINK



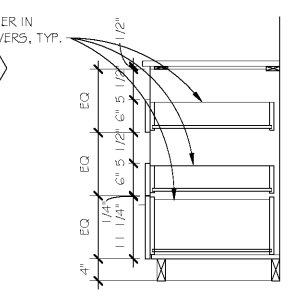
U1 WALL CABINET W/ DOORS & ADJUSTABLE SHELVES



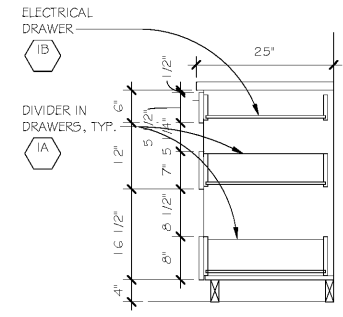
U2 WALL CABINET W/ ADJUSTABLE SHELVES



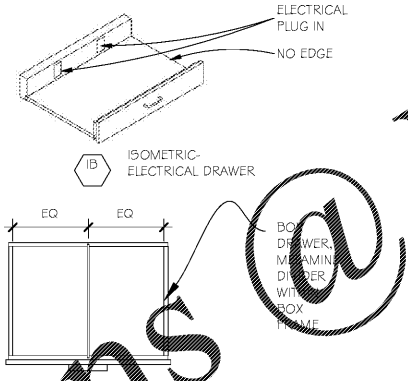
T FULL CABINET W/ ADJUSTABLE SHELVES



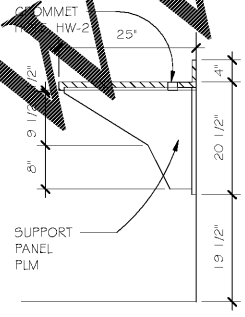
IA DIVIDER IN DRAWERS, TYP.



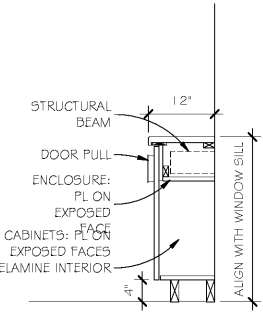
IB ELECTRICAL DRAWER



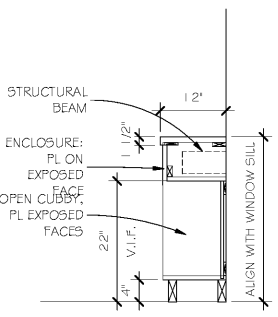
IB ISOMETRIC ELECTRICAL DRAWER



R SUPPORT PANEL



L LOW BASE CABINET W/ DOORS

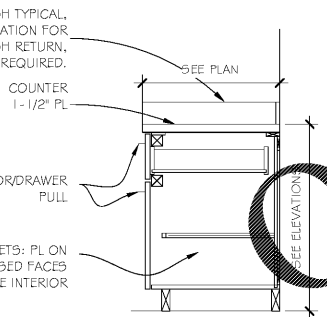


M LOW BASE CABINET W/ CUBBIES

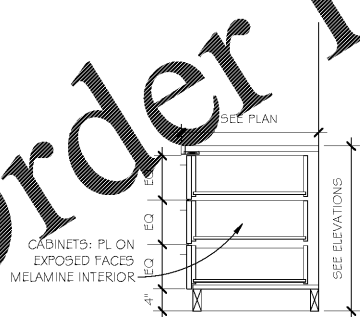
H BOX-HALF/BOX-HALF/FILE-PEDESTAL W/ LOCK

J PENCIL/FILE-HALF/FILE-HALF/PEDESTAL W/ LOCK

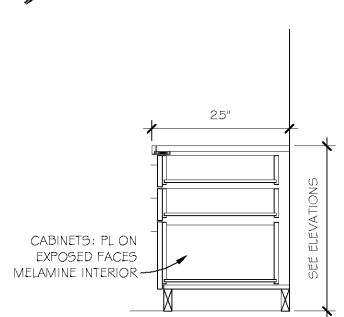
IA PLAN VIEW- FIXED DIVIDER



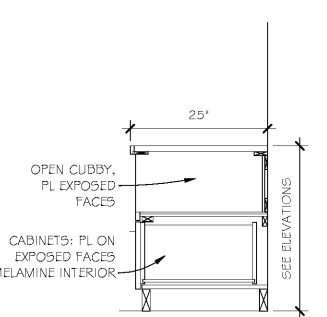
A BASE CABINET W/ DRAWER & DOORS



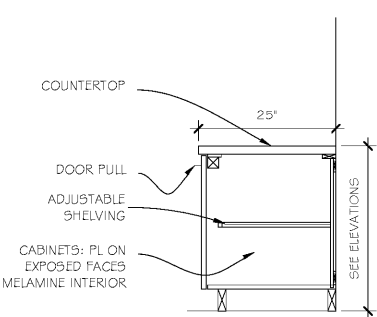
B BOX/BOX/FILE-PEDESTAL W/ LOCK



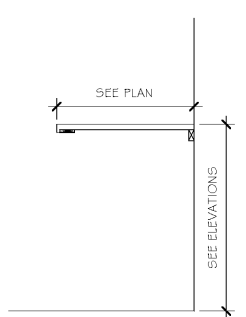
C BOX/BOX/FILE-PEDESTAL W/ LOCK



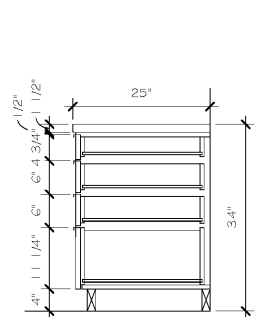
D CUBBIES, FILE/PEDESTAL W/ LOCK



E BASE CABINET, OPEN WITH ADJUSTABLE SHELVES



F COUNTERTOP, OPEN BELOW



G BOX/BOX/BOX/FILE-PEDESTAL W/ LOCK

1 MILLWORK SECTIONS 3/4" = 1'-0"

CROSSFIELDS CHIROPRACTIC OFFICE DESIGN

3265 Spangue Parkway Suite 3015 Kennesaw, GA 30143 Office: 770.424.9200 Fax: 770.424.9200 www.ChiropracticOfficeDesign.com

THIS DRAWING IS THE PROPERTY OF CROSSFIELDS, INC. AND ANY REPRODUCTION OR COPYING OF THIS DRAWING, IN WHOLE OR PART IS PROHIBITED WITHOUT WRITTEN PERMISSION.

INNOVATION COMPOUNDING DR. SHAWN HODGES 6095 PINE MOUNTAIN RD. SUITE 104 KENNESAW, GA 30152

REVISIONS:		
NO.	DATE	DESCRIPTION

DRAWN BY: CMB/LEB CHECKED BY: CMB
 DATE: 09.24.19
 PROJECT NUMBER: 17125-IC
 SHEET NO:

ID-2.6

FOR PERMIT