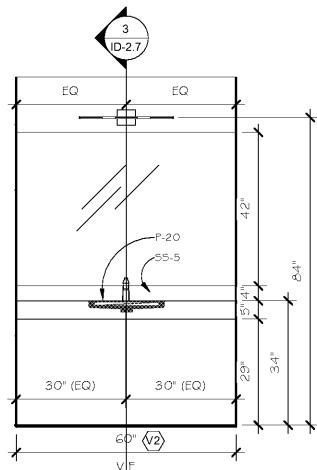
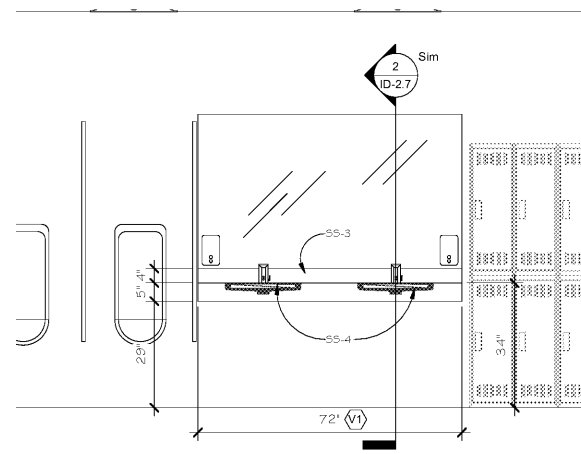


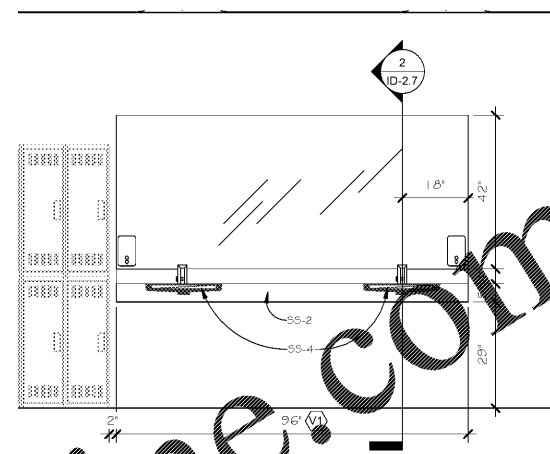
220 WOMENS RESTROOM
 11 ID-2.4 1/2" = 1'-0"



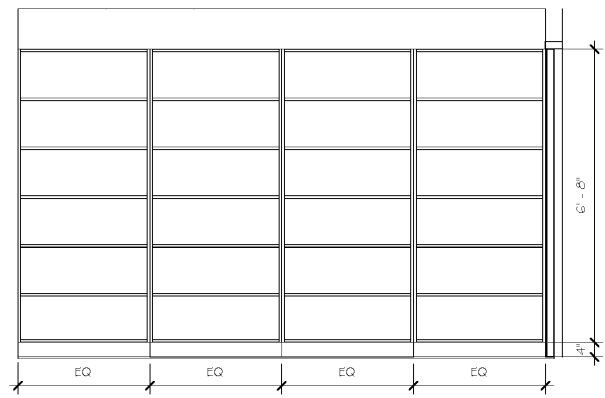
217 MENS RESTROOM
 10 ID-2.4 1/2" = 1'-0"



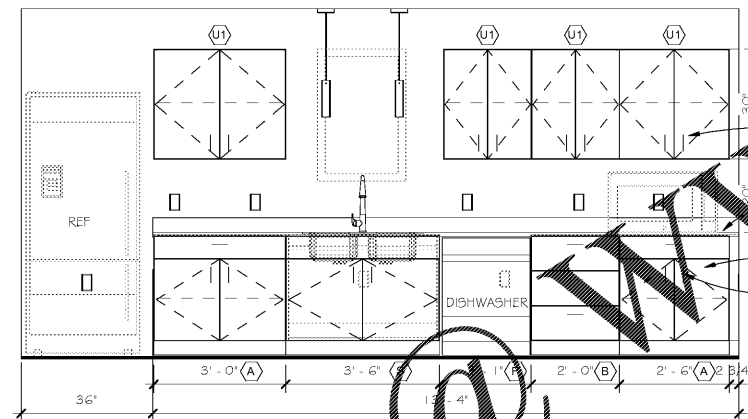
119 MEN'S RESTROOM
 9 ID-2.4 1/2" = 1'-0"



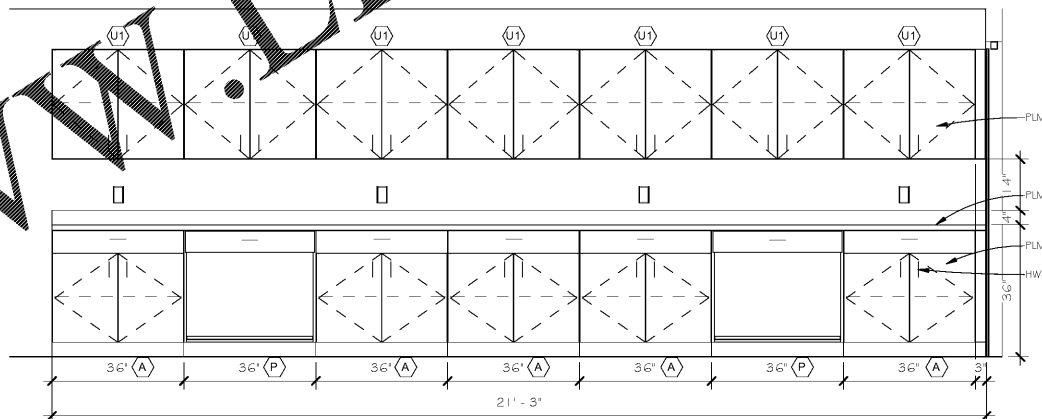
120 WOMEN'S RESTROOM
 8 ID-2.4 1/2" = 1'-0"



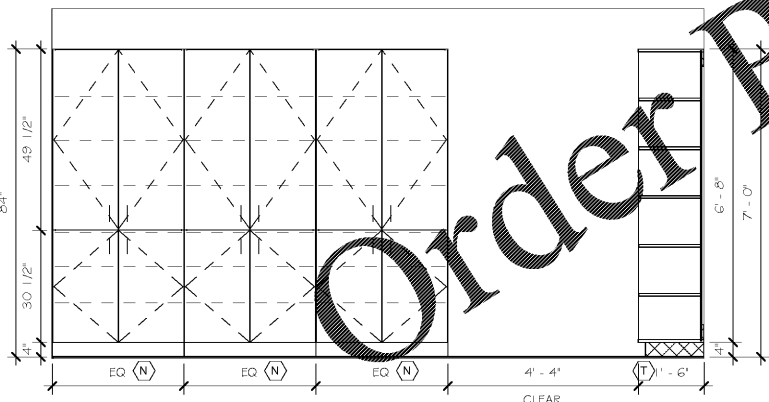
209 MARKETING I
 7 ID-2.4 1/2" = 1'-0"



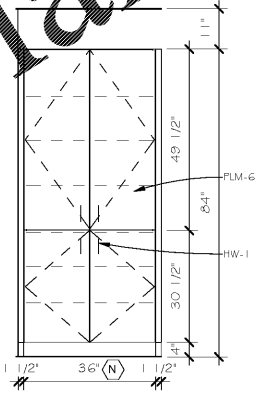
216 BREAK-WEST
 6 ID-2.4 1/2" = 1'-0"



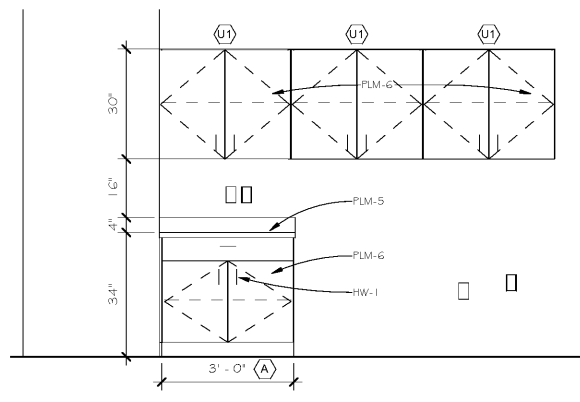
213 SUPPLY
 5 ID-2.4 1/2" = 1'-0"



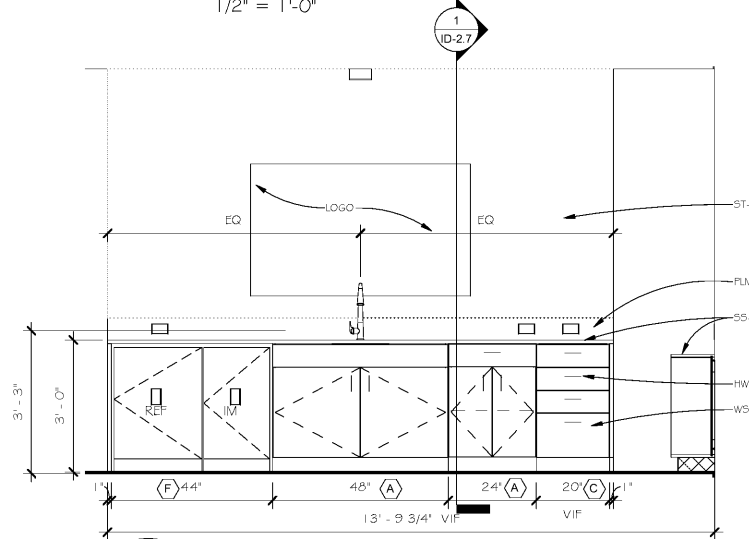
209 MARKETING 2
 4 ID-2.4 1/2" = 1'-0"



200.3 CORR 3
 3 ID-2.4 1/2" = 1'-0"



210 SALES ADMIN
 2 ID-2.4 1/2" = 1'-0"



201 - HOSPITALITY
 1 ID-2.4 1/2" = 1'-0"

Order Plans @ WWW.WLDIline.com

CROSSFIELDS
 CHIROPRACTIC OFFICE DESIGN

3265 Spangue Parkway
 Suite 3015
 Kennesaw, GA 30144
 Office: 770.424.9200
 Fax: 770.424.9201
 www.ChiropracticOfficeDesign.com

THIS DRAWING IS THE PROPERTY OF CROSSFIELDS, INC. AND ANY REPRODUCTION OR COPYING OF THIS DRAWING, IN WHOLE OR PART IS PROHIBITED WITHOUT WRITTEN PERMISSION.

INNOVATION
COMPOUNDING
DR. SHAWN HODGES
 6095 PINE MOUNTAIN RD., SUITE 104
 KENNESAW, GA 30152

REVISIONS:		
NO.	DATE	DESCRIPTION

DRAWN BY: CMB
 CHECKED BY: CMB/SBE
 DATE: 09.24.19
 PROJECT NUMBER: 17125-IC
 SHEET NO:

ID-2.4

FOR PERMIT