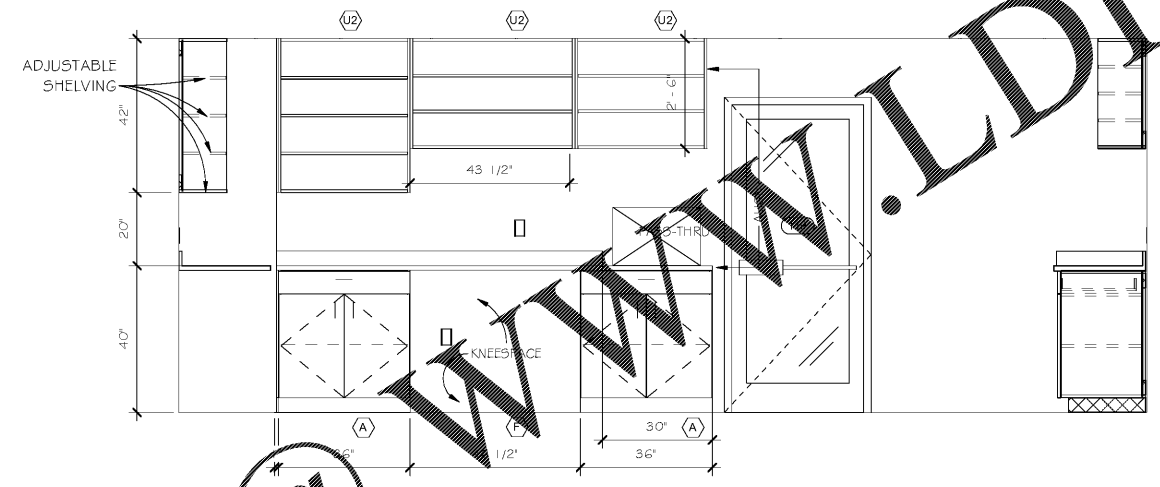
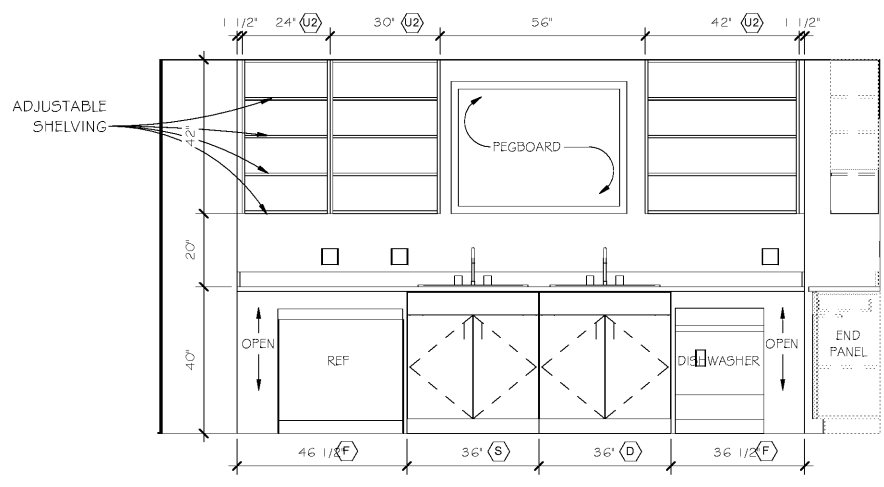
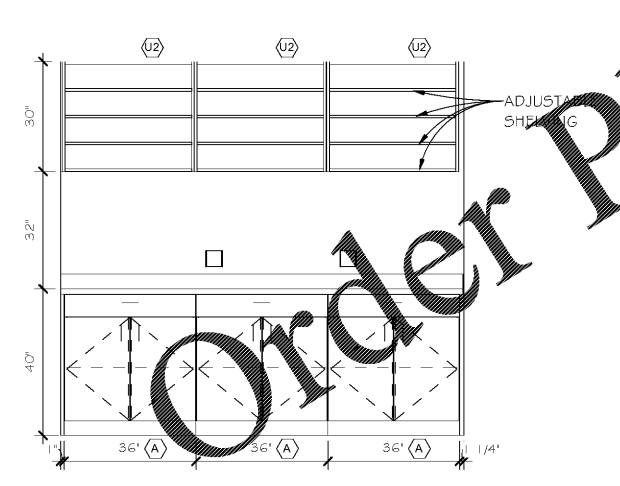


MILLWORK SECTIONS-
NON-STERILE

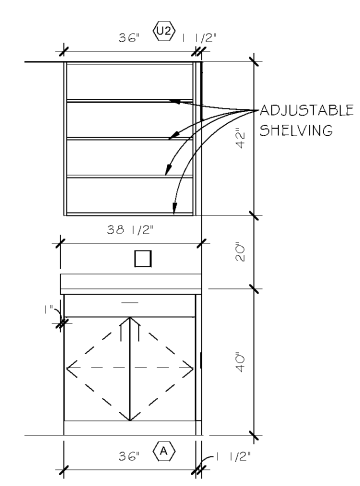
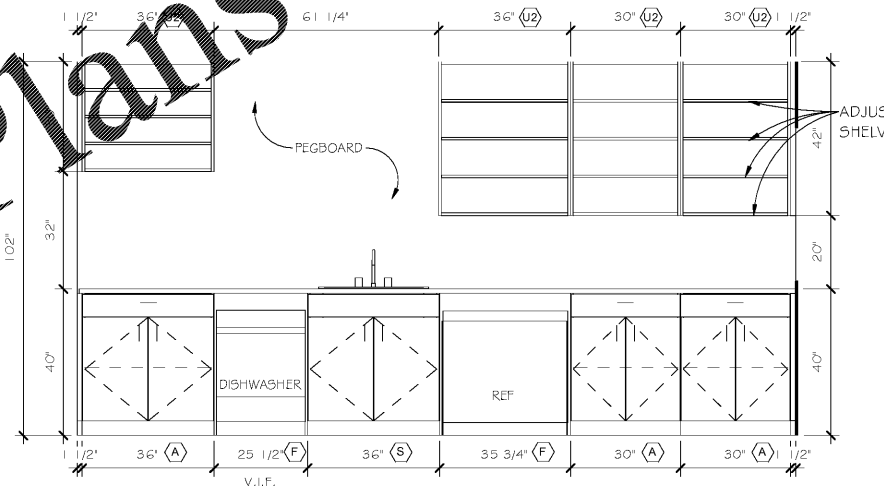
6 ID-2.3 1/2" = 1'-0"



5 ID-2.3 1/2" = 1'-0"



4 ID-2.3 1/2" = 1'-0"



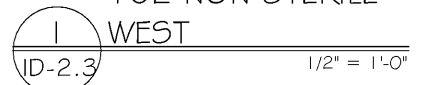
3 ID-2.3 1/2" = 1'-0"



2 ID-2.3 1/2" = 1'-0"



1 ID-2.3 1/2" = 1'-0"



SHEET NOTES:
 • ALL MILLWORK TO MEET USP 795 + USP 800 REQUIREMENTS.
FORMASCAPE PRODUCT FINISHES:
 • COUNTER TOPS: STAINLESS STEEL
 • CABINETS, SHELVES: SOLID PHENOLIC DURCON, GLACIER WHITE

CROSSFIELDS
 CHIROPRACTIC OFFICE DESIGN

3205 Shavano Parkway Suite 3015
 Marietta, GA 30066
 Phone: 770.434.9200
 Fax: 770.434.9200
 Web: www.ChiropracticOfficeDesign.com

THIS DRAWING IS THE PROPERTY OF CROSSFIELDS, INC. AND ANY REPRODUCTION OR COPYING OF THIS DRAWING, IN WHOLE OR PART IS PROHIBITED WITHOUT WRITTEN PERMISSION.

INNOVATION
 COMPOUNDING
 DR. SHAWN HODGES
 6095 PINE MOUNTAIN RD. SUITE 104
 KENNESAW, GA 30152

REVISIONS:

NO.	DATE	DESCRIPTION

DRAWN BY: CMB/LEB
 CHECKED BY: CMB
 DATE: 09.24.19
 PROJECT NUMBER: 17125-IC
 SHEET NO: ID-2.3

ID-2.3

FOR PERMIT