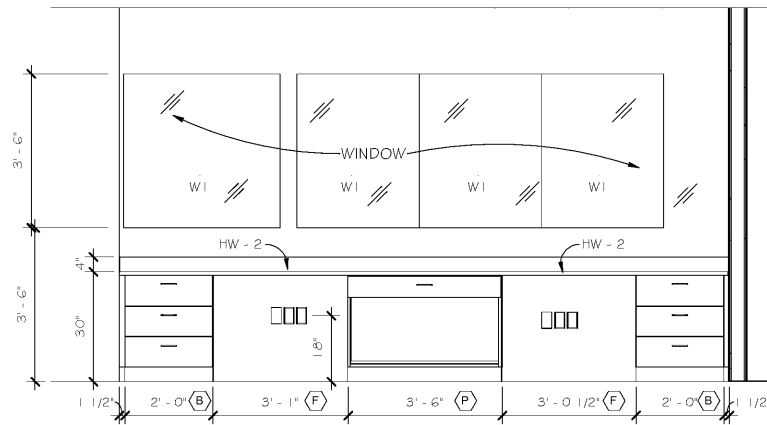
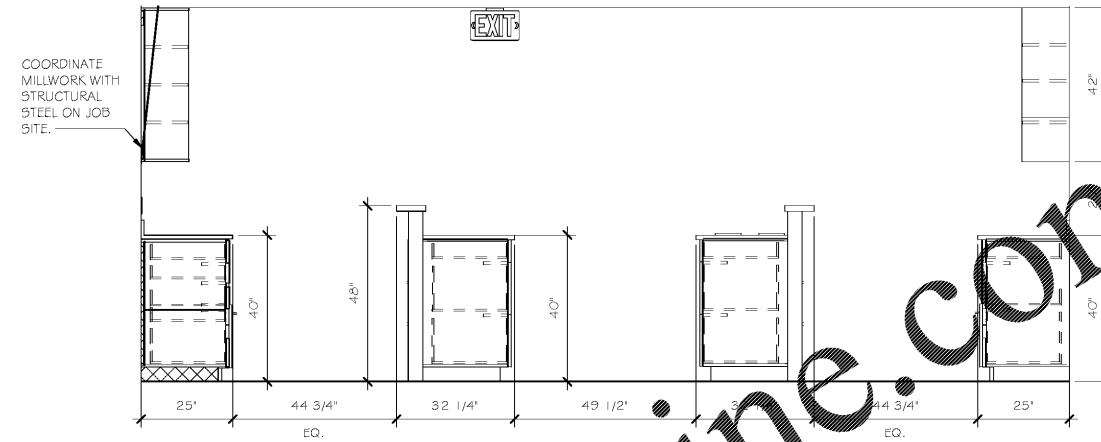


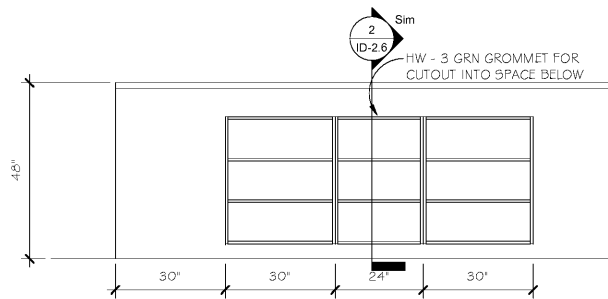
10 104 STERILE PREP-NORTH  
ID-2.2 1/2" = 1'-0"



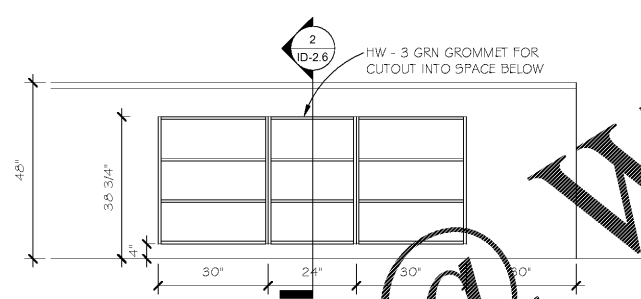
9 104 STERILE PREP-EAST  
ID-2.2 1/2" = 1'-0"



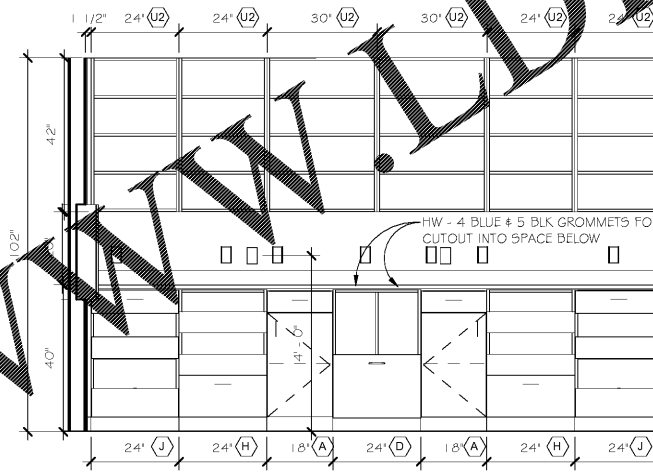
8 101 VERIF/INSIDE DISP ELEV  
ID-2.2 1/2" = 1'-0"



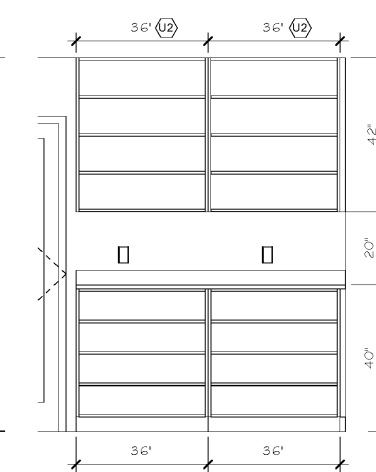
7 V-2 101-VERIF/DISPENS OUTSIDE ELEV  
ID-2.2 1/2" = 1'-0"



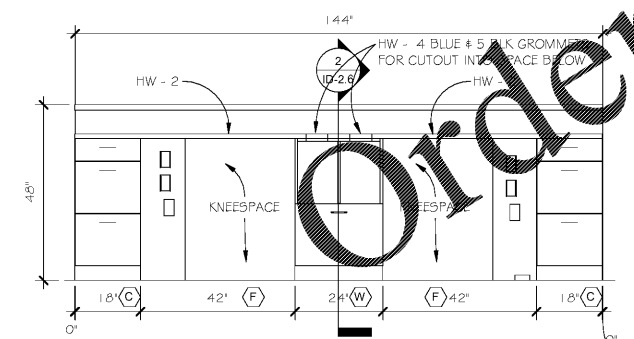
6 V-1 101-VERIF/DISPENS OUTSIDE ELEV  
ID-2.2 1/2" = 1'-0"



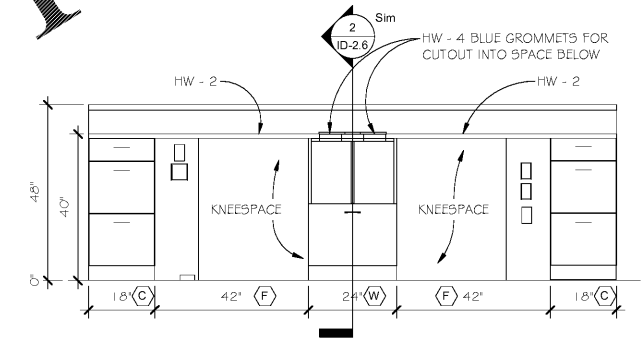
5 F-1 101-VERIF/DISPENS ELEVATION  
ID-2.2 1/2" = 1'-0"



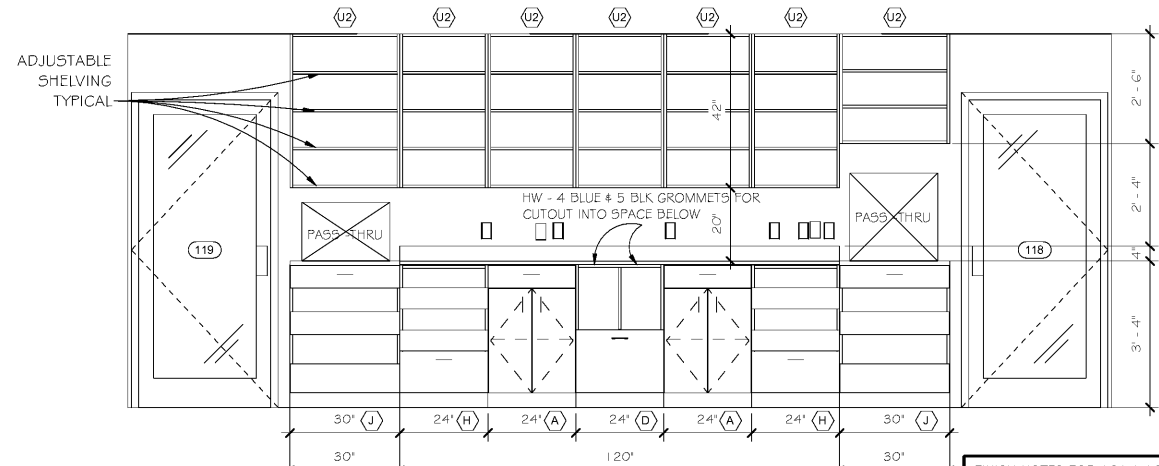
4 104 STERILE PREP SOUTH  
ID-2.2 1/2" = 1'-0"



3 V-1 101-VERIF/DISP-INSIDE ELEV  
ID-2.2 1/2" = 1'-0"



2 V-2 101-VERIF/DISP INSIDE ELEV  
ID-2.2 1/2" = 1'-0"



1 F-2 101-VERIF/DISPENS ELEV  
ID-2.2 1/2" = 1'-0"

**FINISH NOTES FOR 101 & 104:**  
 • ALL COUNTER TOPS: 95-1  
 • ALL CASEWORK: PLM-1  
 • ALL PULLS: HW-7  
 SEE SEPARATE DOCUMENT FOR SELECTIONS AND DETAILS

WWW.IDIDLINE.COM

Order Plans

**CROSSFIELDS**  
 CHIROPRACTIC OFFICE DESIGN

3265 Spinnaker Parkway  
 Suite 3015  
 Kennesaw, GA 30143  
 Office: 770.424.9020  
 Fax: 770.424.9020  
 www.ChiropracticOfficeDesign.com

THIS DRAWING IS THE PROPERTY OF CROSSFIELDS, INC. AND ANY REPRODUCTION OR COPYING OF THIS DRAWING, IN WHOLE OR PART IS PROHIBITED WITHOUT WRITTEN PERMISSION.

**INNOVATION  
 COMPOUNDING  
 DR. SHAWN HODGES**  
 6095 PINE MOUNTAIN RD., SUITE 104  
 KENNESAW, GA 30152

REVISIONS:		
NO.	DATE	DESCRIPTION

DRAWN BY: CMB/LEB  
 CHECKED BY: CMB  
 DATE: 09.24.19  
 PROJECT NUMBER: 17125-IC  
 SHEET NO: ID-2.2

FOR PERMIT