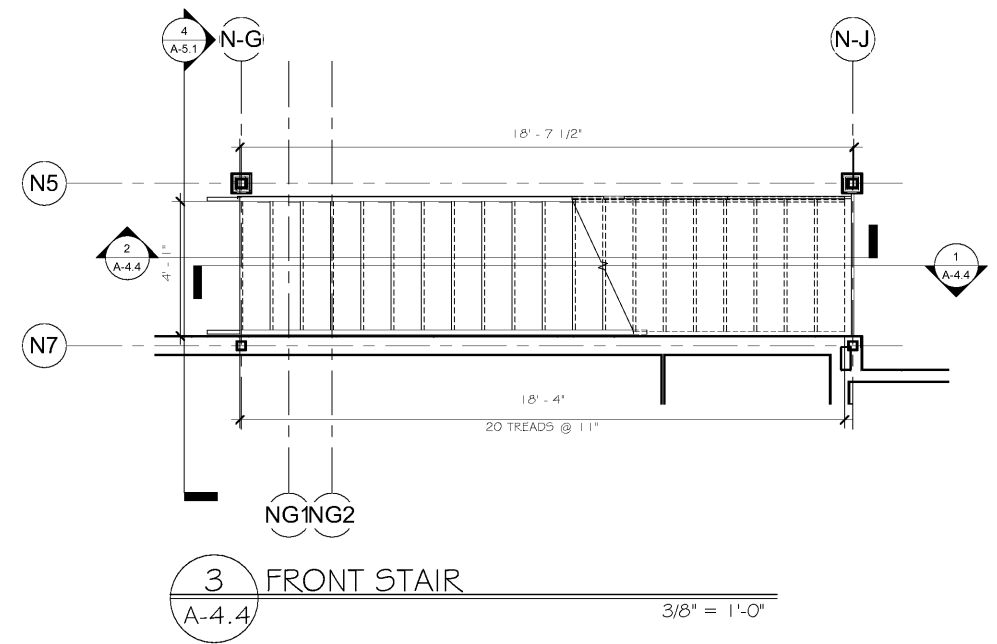
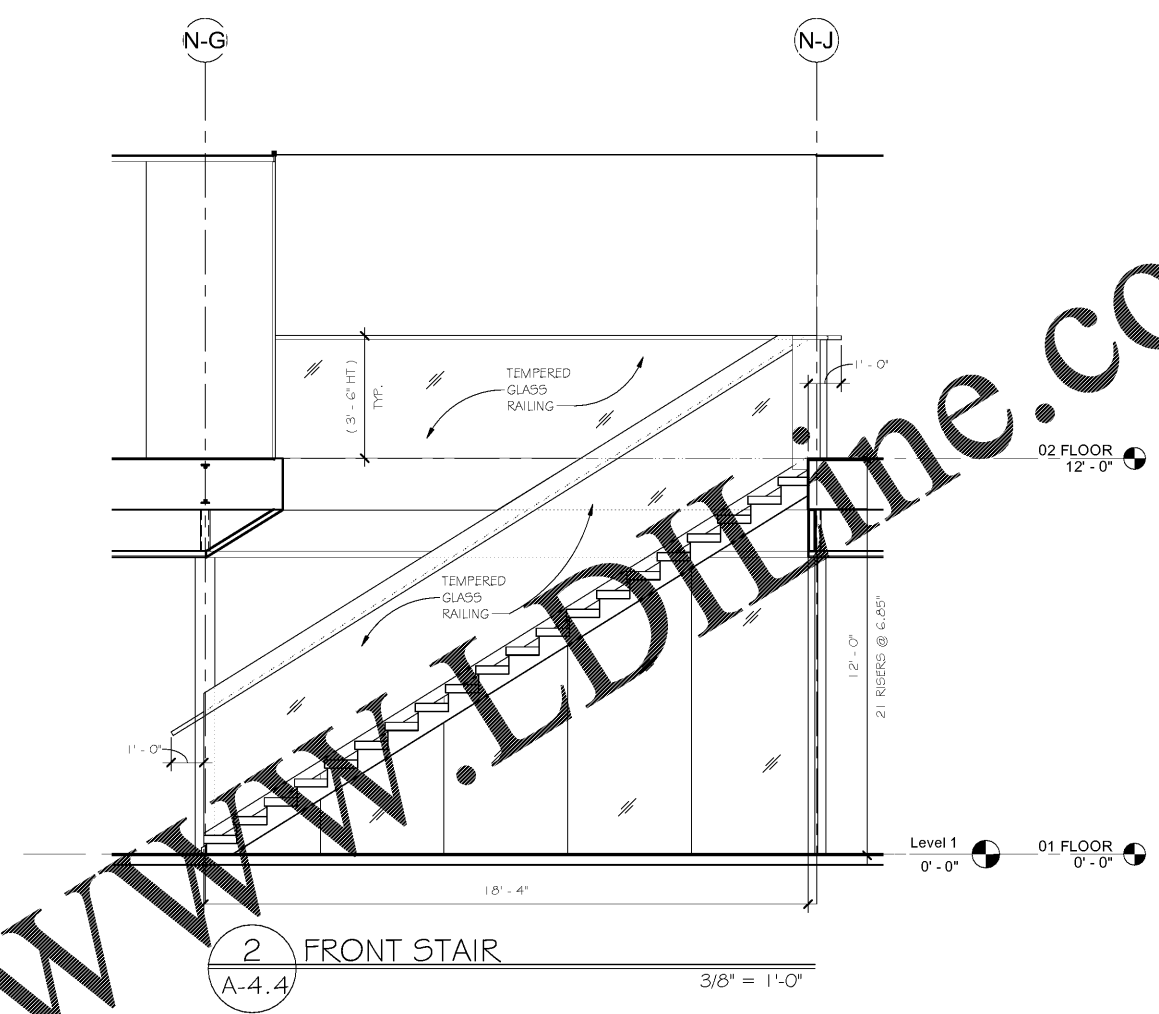


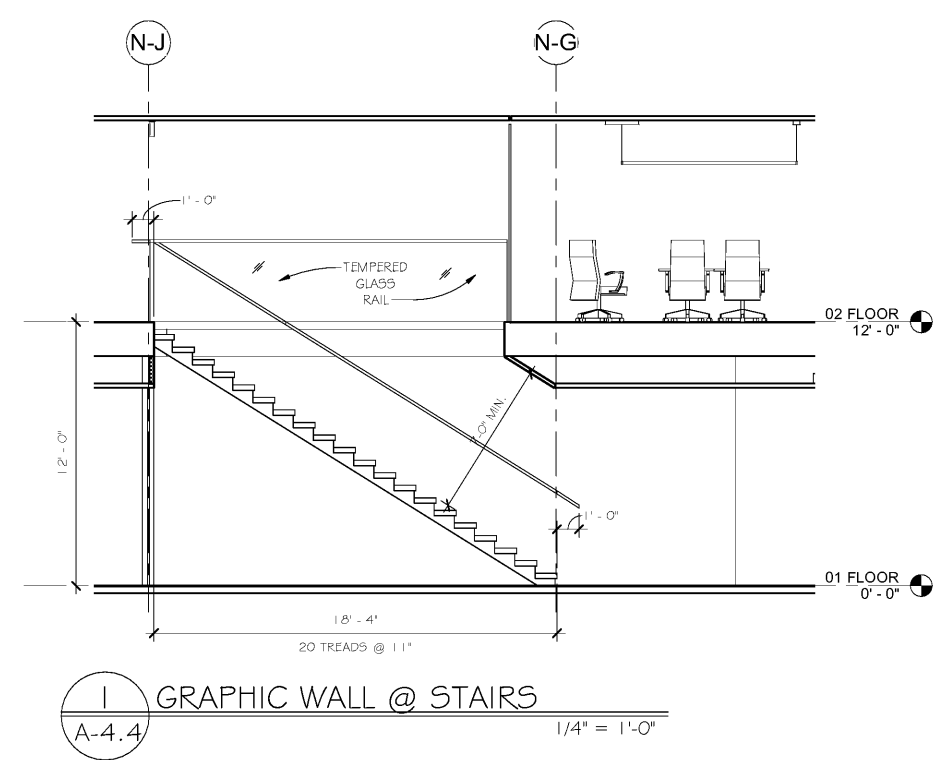
STAIR FABRICATOR TO PROVIDE SHOP DRAWINGS FOR ALL STAIRS & RAILINGS PRIOR TO FABRICATION FOR APPROVAL BY DESIGN FIRM OPEN RISER DESIGN



3 FRONT STAIR
A-4.4 3/8" = 1'-0"



2 FRONT STAIR
A-4.4 3/8" = 1'-0"



1 GRAPHIC WALL @ STAIRS
A-4.4 1/4" = 1'-0"

Order Plans @ WWW.LDOnline.com

CROSSFIELDS
CHIROPRACTIC OFFICE DESIGN

3265 SHAWNEE PRAIRIES TRL
KENNESAW, GEORGIA 30152
PHONE: 770.825.9999
WWW.CHIOPRACTICOFFICEDESIGN.COM

THIS DRAWING IS THE PROPERTY OF CROSSFIELDS, INC. AND ANY REPRODUCTION OR COPYING OF THIS DRAWING, IN WHOLE OR PART IS PROHIBITED WITHOUT WRITTEN PERMISSION.

INNOVATION
COMPOUNDING
DR. SHAWN HODGES
6095 PINE MOUNTAIN RD. SUITE 104
KENNESAW, GA 30152

REVISIONS:

NO.	DATE	DESCRIPTION

DRAWN BY: MVS
CHECKED BY: CMB/SB
DATE: 09.24.19
PROJECT NUMBER: 17125-IC
SHEET NO:

A-4.4

FOR PERMIT