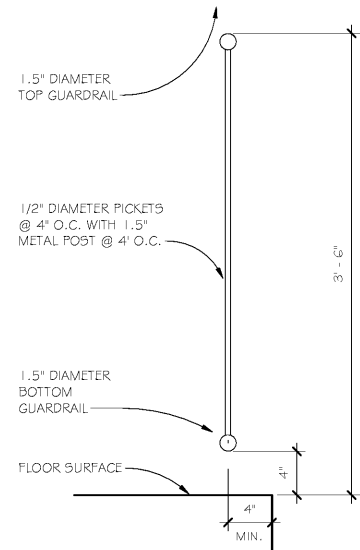
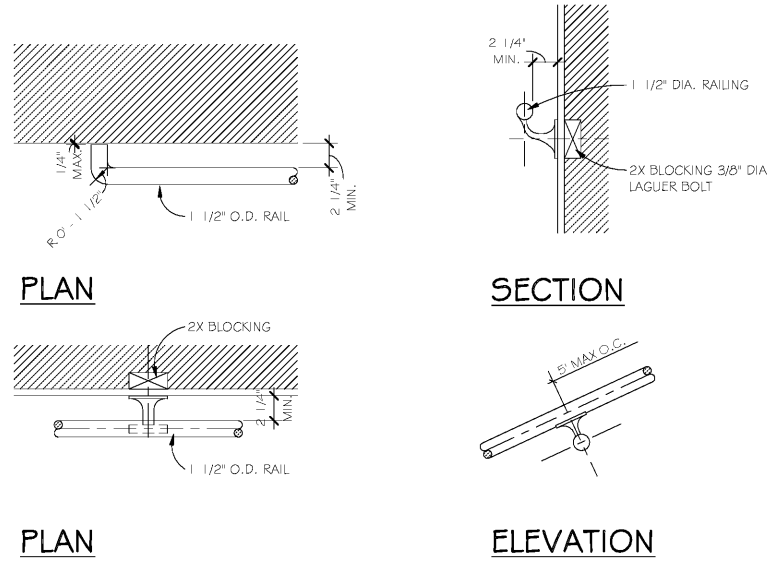


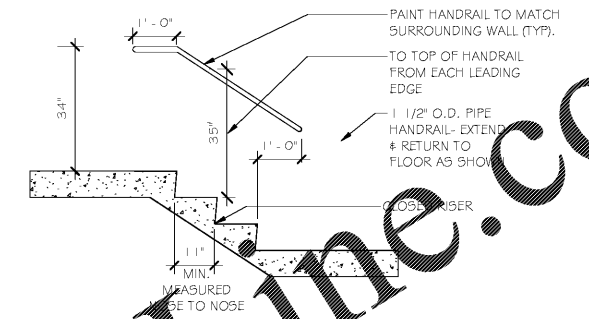
ALL SURFACES PRIMED & PAINTED



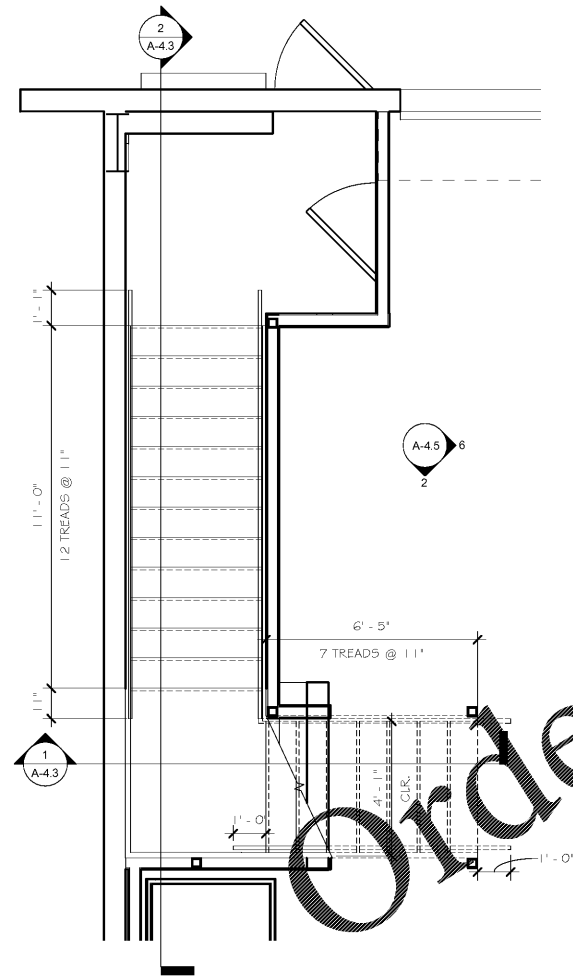
6 METAL PIPE RAILING
A-4.3 1 1/2" = 1'-0"



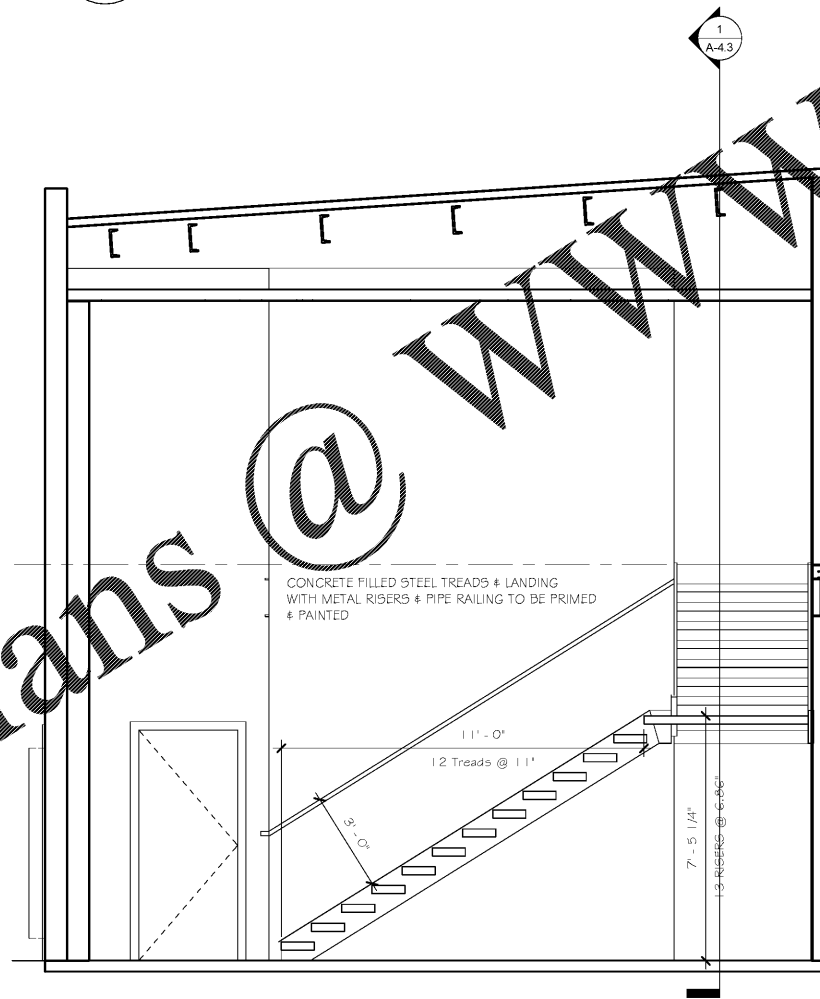
5 HANDRAIL DETAILS
A-4.3 1 1/2" = 1'-0"



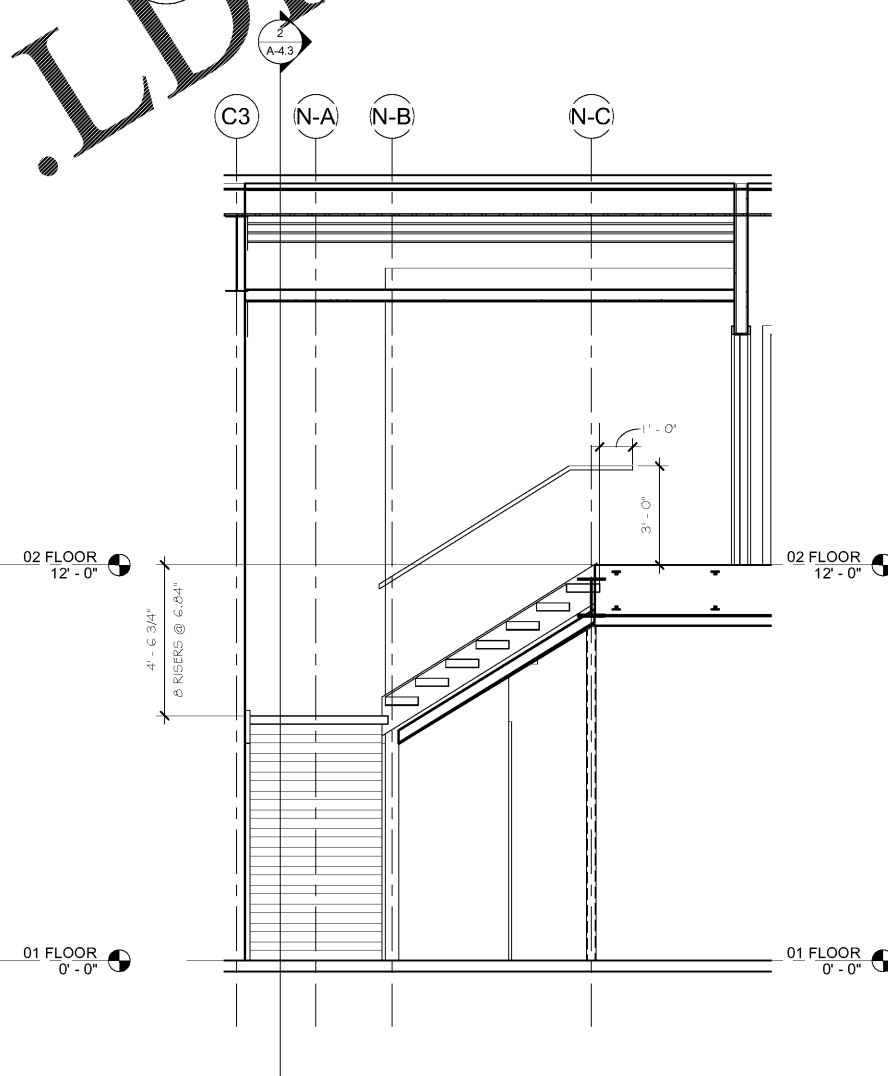
4 STAIR-TYP. SECTION
A-4.3 1/2" = 1'-0"



3 REAR STAIR & MEZZANINE
A-4.3 3/8" = 1'-0"



2 REAR STAIR 1
A-4.3 3/8" = 1'-0"



1 REAR STAIR 2
A-4.3 3/8" = 1'-0"

STAIR FABRICATOR TO PROVIDE SHOP DRAWINGS FOR ALL STAIRS & RAILINGS PRIOR TO FABRICATION FOR APPROVAL BY DESIGN FIRM

CROSSFIELDS
CHIROPRACTIC OFFICE DESIGN

3265 Spangue Parkway Suite 3015
Kennesaw, GA 30143
Office: 770.424.9200
Fax: 770.424.9200
www.ChiropracticOfficeDesign.com

THIS DRAWING IS THE PROPERTY OF CROSSFIELDS, INC. AND ANY REPRODUCTION OR COPYING OF THIS DRAWING, IN WHOLE OR PART IS PROHIBITED WITHOUT WRITTEN PERMISSION.

INNOVATION
COMPOUNDING
DR. SHAWN HODGES
6095 PINE MOUNTAIN RD., SUITE 104
KENNESAW, GA 30152

REVISIONS:		
NO.	DATE	DESCRIPTION

DRAWN BY: CMB
CHECKED BY: CMB
DATE: 09.24.19
PROJECT NUMBER: 17125-IC
SHEET NO:

A-4.3

FOR PERMIT