

DOOR SCHEDULE											
DOOR NO.	DOOR TYPE	DOOR			FRAME			FIRE RATING	LOCKSET FUNCTION	DOOR HARDWARE	COMMENTS
		WIDTH	HEIGHT	MATERIAL	MAT.	HEAD DETAIL	JAMB DETAIL				
101	EXISTING	6'-0"	7'-0"	EXISTING	HM	1/A4.1	1/A4.1		EXISTING ENTRY LOCK	EXISTING, VERIFY EB NEED	RELOCATED FROM SUITE 103
102	D-1	3'-0"	7'-0"	PG 5C MDF FLUSH PANEL DOOR	HM	1/A4.1	1/A4.1	5/A4.1	PRIVACY	LH, HBB, D5, DB, CH-2	
103	D-6	3'-0"	9'-0"	SOLID GLASS	SS	4/A4.7	12/A4.7	6#7/A4.7	FOB OR CARD READER	PP, DC	
104	D-1	3'-0"	7'-0"	PG 5C MDF FLUSH PANEL DOOR	HM	1/A4.1	1/A4.1	5/A4.1	OFFICE	LH, HBB, D5, DB, DC	
105	D-1	3'-0"	7'-0"	PG 5C MDF FLUSH PANEL DOOR	HM	1/A4.1	1/A4.1	5/A4.1	STOREROOM	LH, HBB, D5, DB, DC	
106	D-8	4'-6"	7'-0"	PG 5C MDF FLUSH W/ GLASS INSET	HM	1/A4.1	1/A4.1	5/A4.1	FOB OR CARD READER	LH, HBB, D5, DB, DC	ELECTRIC HOLD OPEN DEVICE TIED TO FIRE ALARM OVER-RIDE WALL BUTTON
107	D-1	3'-0"	7'-0"	PG 5C MDF FLUSH PANEL DOOR	HM	1/A4.1	1/A4.1	5/A4.1	PASSAGE	LH, HBB, D5, DB, DC	
108	D-1	3'-0"	7'-0"	PG 5C MDF FLUSH PANEL DOOR	HM	1/A4.1	1/A4.1	5/A4.1	PASSAGE	LH, HBB, D5, DB, DC	
109	EXISTING	3'-0"	7'-0"	EXISTING	HM	1/A4.1	1/A4.1	5/A4.1	FOB OR CARD READER	EXISTING, ADD NEW EB	
110	D-1	3'-0"	7'-0"	PG 5C MDF FLUSH PANEL DOOR	HM	1/A4.1	1/A4.1	5/A4.1	FOB OR CARD READER	LH, HBB, D5, DB, DC	
111	D-1	3'-0"	7'-0"	PG 5C MDF FLUSH PANEL DOOR	HM	1/A4.1	1/A4.1	5/A4.1	OFFICE	LH, HBB, D5, DB, DC	
112	D-8	3'-0"	7'-0"	PG 5C MDF FLUSH PANEL DOOR	HM	1/A4.1	1/A4.1	5/A4.1	1 HR	PASSAGE	LH, HBB, D5, DB, DC, EB
113	D-1	3'-0"	7'-0"	PG 5C MTL FLUSH PANEL DOOR	HM	1/A4.1	1/A4.1	5/A4.1	FOB OR CARD READER	LH, HBB, D5, DB, DC, EB	MATCH EXISTING REAR DOOR
114	EXISTING	11'-8 1/8"	12'-0"	EXISTING	HM				OFFICE	EXISTING	EXISTING TO REMAIN
115	D-3	3'-6"	7'-0"	AL. POWDER COATED W/ GLASS INSET	ALUM	2/A4.1	3/A4.1	2/A4.1	FOB OR CARD READER	SPECIAL	
116	EXISTING	3'-0"	7'-0"	PG MTL FLUSH DOOR	HM	1/A4.1	1/A4.1		FOB OR CARD READER	EXISTING, ADD NEW EB	EXISTING TO REMAIN
117	D-3	3'-6"	7'-0"	AL. POWDER COATED W/ GLASS INSET	ALUM	2/A4.1	3/A4.1	2/A4.1	FOB OR CARD READER	SPECIAL	
118	D-4	3'-0"	7'-0"	GLASS	ALUM	4/A4.1	4/A4.1	SWEEP	NO LATCH	PP, DC	PROVIDE SWEEPS & GASKETS
119	D-4	3'-0"	7'-0"	GLASS	ALUM	4/A4.1	4/A4.1	SWEEP	NO LATCH	PP, DC	PROVIDE SWEEPS & GASKETS
120	D-3	3'-6"	7'-0"	AL. POWDER COATED W/ GLASS INSET	ALUM	2/A4.1	3/A4.1	2/A4.1	NO LATCH	SPECIAL	
121	D-4	3'-6"	7'-0"	GLASS	ALUM	4/A4.1	4/A4.1	SWEEP	NO LATCH	PP, DC	PROVIDE SWEEPS & GASKETS
122	D-4	3'-0"	7'-0"	GLASS	ALUM	4/A4.1	4/A4.1	SWEEP	NO LATCH	PP, DC	PROVIDE SWEEPS & GASKETS
123	D-4	3'-0"	7'-0"	GLASS	ALUM	4/A4.1	4/A4.1	SWEEP	NO LATCH	PP, DC	PROVIDE SWEEPS & GASKETS
124	D-4	3'-0"	7'-0"	GLASS	ALUM	4/A4.1	4/A4.1	SWEEP	NO LATCH	PP, DC	PROVIDE SWEEPS & GASKETS
125	D-4	3'-0"	7'-0"	GLASS	ALUM	4/A4.1	4/A4.1	SWEEP	NO LATCH	PP, DC	PROVIDE SWEEPS & GASKETS
126	D-4	3'-0"	7'-0"	GLASS	ALUM	4/A4.1	4/A4.1	SWEEP	NO LATCH	PP, DC	PROVIDE SWEEPS & GASKETS
127	D-4	3'-0"	7'-0"	GLASS	ALUM	4/A4.1	4/A4.1	SWEEP	NO LATCH	PP, DC	PROVIDE SWEEPS & GASKETS
204	D-1	3'-0"	7'-0"	PG 5C MDF FLUSH PANEL DOOR	HM	1/A4.1	1/A4.1	5/A4.1	PASSAGE	LH, HBB, D5, DB, DC	
205	D-1	3'-0"	7'-0"	PG 5C MDF FLUSH PANEL DOOR	HM	1/A4.1	1/A4.1	5/A4.1	PRIVACY	LH, HBB, D5, DB, CH	
206	D-6	3'-0"	7'-0"	SOLID GLASS	SS	4/A4.7	12/A4.7	6#7/A4.7	NO LATCH	PP, DC	
207	D-5	3'-0"	7'-0"	PG 5C MDF FLUSH W/ GLASS INSET	HM	1/A4.1	1/A4.1	5/A4.1	OFFICE	LH, HBB, D5, DB, DC	
208	D-8	3'-0"	7'-0"	PG 5C MDF FLUSH PANEL DOOR	HM	1/A4.1	1/A4.1	5/A4.1	1 HR	PASSAGE	LH, HBB, D5, DB, DC, EB
209	D-1	3'-0"	7'-0"	PG 5C MDF FLUSH PANEL DOOR	HM	1/A4.1	1/A4.1	5/A4.1	1 HR	STOREROOM	LH, HBB, D5, DB, DC
210	D-5	3'-0"	7'-0"	PG 5C MDF FLUSH W/ GLASS INSET	HM	1/A4.1	1/A4.1	5/A4.1	OFFICE	LH, HBB, D5, DB, CH	VERIFY WIDTH FIELD
211	D-1	3'-0"	7'-0"	PG 5C MDF FLUSH PANEL DOOR	HM	1/A4.1	1/A4.1	5/A4.1	STOREROOM	LH, HBB, D5, DB, DC	
212	D-5	3'-0"	7'-0"	PG 5C MDF FLUSH W/ GLASS INSET	HM	1/A4.1	1/A4.1	5/A4.1	OFFICE	LH, HBB, D5, DB, DC	
213	D-1	3'-0"	7'-0"	PG 5C MDF FLUSH PANEL DOOR	HM	1/A4.1	1/A4.1	5/A4.1	PRIVACY	LH, HBB, D5, DB, CH	
214	D-1	3'-0"	7'-0"	PG 5C MDF FLUSH PANEL DOOR	HM	1/A4.1	1/A4.1	5/A4.1	STOREROOM	LH, HBB, D5, DB, DC	
215	D-1	3'-0"	7'-0"	PG 5C MDF FLUSH PANEL DOOR	HM	1/A4.1	1/A4.1	5/A4.1	OFFICE	LH, HBB, D5, DB, CH	F-2 HM FRAME
216	D-1	3'-0"	7'-0"	PG 5C MDF FLUSH PANEL DOOR	HM	1/A4.1	1/A4.1	5/A4.1	OFFICE	LH, HBB, D5, DB, CH	F-2 HM FRAME
217	D-1	3'-0"	7'-0"	PG 5C MDF FLUSH PANEL DOOR	HM	1/A4.1	1/A4.1	5/A4.1	OFFICE	LH, HBB, D5, DB, CH	F-2 HM FRAME
218	D-1	3'-0"	7'-0"	PG 5C MDF FLUSH PANEL DOOR	HM	1/A4.1	1/A4.1	5/A4.1	OFFICE	LH, HBB, D5, DB, CH	F-2 HM FRAME
219	D-1	3'-0"	7'-0"	PG 5C MDF FLUSH PANEL DOOR	HM	1/A4.1	1/A4.1	5/A4.1	OFFICE	LH, HBB, D5, DB, CH	
220	D-2	3'-0"	7'-0"	PG 5C MDF FLUSH PANEL POCKET DOOR	HM	3/A4.2	2/A4.2		PRIVACY	TBD	
220A	D-6	2'-6"	7'-0"	SOLID GLASS SHOWER DOOR	SS	N/A	N/A	N/A			TEMPERED SOLID GLASS SHOWER DOOR
221	D-1	3'-0"	7'-0"	PG 5C MDF FLUSH PANEL DOOR	HM	1/A4.1	1/A4.1	5/A4.1	OFFICE	LH, HBB, D5, DB, CH	F-2 HM FRAME
222	D-1	3'-0"	7'-0"	PG 5C MDF FLUSH PANEL DOOR	HM	1/A4.1	1/A4.1	5/A4.1	OFFICE	LH, HBB, D5, DB, CH	F-2 HM FRAME
223	D-6	3'-0"	7'-0"	SOLID GLASS	SS	4/A4.7	12/A4.7	6#7/A4.7	NO LATCH	PP, DC	
224	D-7	2'-10 1/2"	9'-2"	GLASS	SS	2/A4.7			NO LATCH	PP, DC, SPECIAL	
225	D-7	2'-10 1/2"	9'-2"	GLASS	SS	2/A4.7			NO LATCH	PP, DC, SPECIAL	
226	D-6	3'-0"	9'-0"	SOLID GLASS	SS	4/A4.7	12/A4.7	6#7/A4.7	NO LATCH	PP, DC	
227	D-1	3'-0"	7'-0"	PG 5C MDF FLUSH PANEL DOOR	HM	1/A4.1	1/A4.1	5/A4.1	STOREROOM	LH, HBB, D5, DB, DC	

DOOR HARDWARE NOTES:

LOCKSET FUNCTION TYPES:

PRIVACY: CAL ROYAL 5120, GR 2, EQ. OR BETTER
 PASSAGE: CAL ROYAL 5130, GR 2, EQ. OR BETTER
 STOREROOM: CAL ROYAL 5105, GR 2, EQ. OR BETTER
 OFFICE: CAL ROYAL 5100, GR 2, EQ. OR BETTER
 FOB/CARD READER: BY SECURITY COMPANY

(DC) DOOR CLOSURE: CAL ROYAL 300-PBFCOV WITH ANCHORING HARDWARE
 (HBB) HINGES: CAL ROYAL BB3 1 (4 5/8" X 4 5/8") 1.5 PAIR LEAF, BALL BEARING, COORDINATE WITH FRAME TYPE

(LH) LEVER HANDLE: CAL ROYAL PIONEER, 514000 SERIES
 (EB) EXIT/PANIC BAR: CAL ROYAL RIM TYPE 2200 WITH ENTPOOL LEVER HANDLE WITH KEY ENTRY

(D5) DOOR SILENCERS: CAL ROYAL DSM21
 (DB) DOOR WALL BUMPER: CAL ROYAL WB26

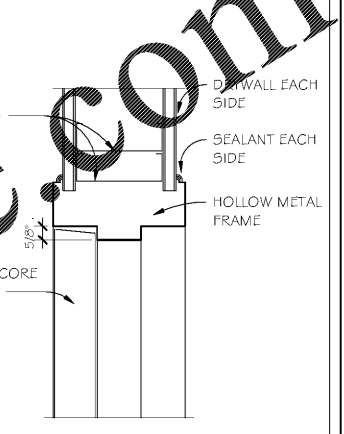
(PP) PUSH/PULL: TBD
 (CH) COAT HOOK: AMEROCK H55445G10, SATIN NICKEL ON BACK OF DOOR AS NOTED

(CH-2) COAT HOOK: SEE PLUMBING ACCESSORIES 4
 HARDWARE FINISH: BRASS NICKEL US 15/61 3/8" 1/4"

NOTES:
 1. SUPPLIER PROVIDE HARDWARE SUBMITTAL FOR APPROVAL PRIOR TO ORDERING.
 2. HARDWARE ALTERNATE REPRESENTS DESIGN INTENT AND NOT COMPLETE AND/OR CHANGES SPECIFICATIONS.

ABBREVIATIONS

DOOR MATERIAL
 AL ALUMINUM
 PG PAINT GRADE
 SC SOLID CORE
 MDF MDF
 FRAME MATERIAL
 ALUM ALUMINUM
 HM HOLLOW METAL
 SS STAINLESS STEEL

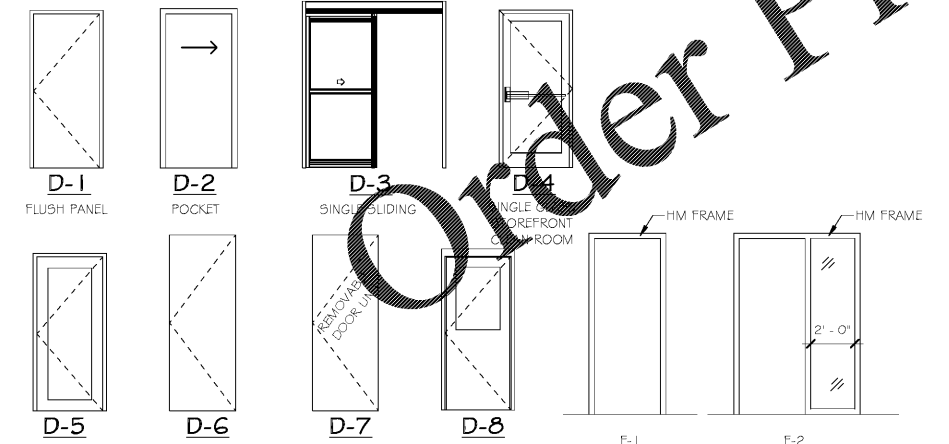
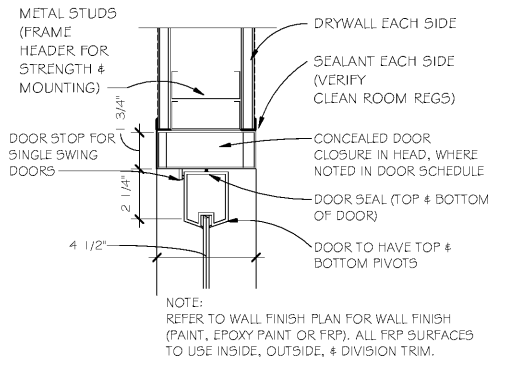
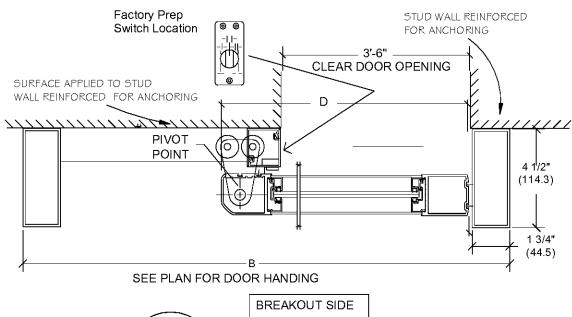
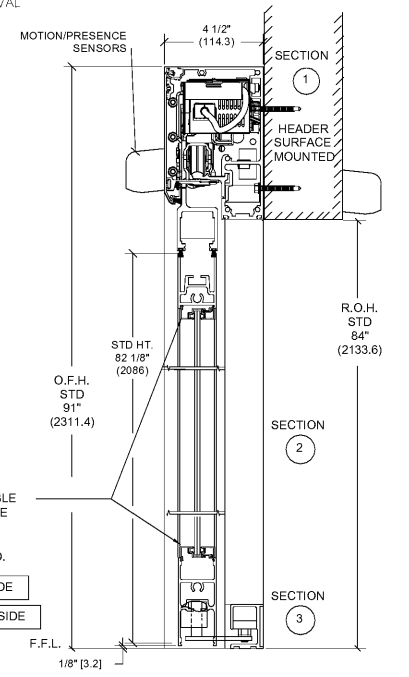


WINDOW TYPES

FRAMELESS DOUBLE-SIDED FLUSH-MOUNTED WINDOW UNIT WITH 1/4" TEMPERED GLASS. INSTALLED FLUSH WITH DRYWALL/FRP WALL SURFACE. WINDOWS CUSTOM BUILT TO DIMENSION PROVIDED. MANUFACTURE TERRAUNIVERSAL.COM PRODUCT NUMBER 6603-30; OR APPROVED EQUAL

W2 BUTT GLAZED WINDOW SYSTEM WITH 2 5/16" TOP AND BOTTOM RAIL MOUNTING IN BRUSHED STAINLESS STEEL FINISH; USING 1/2" TEMPERED GLASS FOR ALL GLASS PANELS OVER 7'-2"; AND 3/8" TEMPERED GLASS FOR ALL GLASS PANELS UNDER 7'-2". FULL HT. SOLID GLASS DOOR WITH IDENTICAL PROFILE RAIL AND CONCEALED OVERHEAD DOOR CLOSURE. (REFER TO DOOR SCHEDULE) MANUFACTURE C.R. LAWRENCE (WWW.CRL-ARCH.COM) 10-2000 CLEAR VIEW SERIES GLASS WALL OFFICE SYSTEM; OR APPROVED EQUAL. PROVIDE SHOP DRAWINGS AND CUT SHEETS FOR APPROVAL

W3 STACKABLE SOLID GLASS WALL SYSTEM WITH 1/2" TEMPERED GLASS WITH 2 PIVOTING DOORS, COMPLETE WITH RAIL LOCKING, OVERHEAD TRACKGLIDES, DOOR PIVOTS AND OVERHEAD CONCEALED DOOR CLOSURE. ALL HARDWARE (RAILS & HANDLES TO BE SATIN STAINLESS STEEL. MANUFACTURE MODERNFOLD, MODEL 100SR-G. PROVIDE SHOP DRAWINGS AND CUT SHEETS FOR APPROVAL



DOOR TYPES (ALL)

FRAME TYPES

4 AL/GL DOOR DETAIL A-4.1 3" = 1'-0"

3 AUTODOOR PLAN A-4.1 3" = 1'-0"

2 AUTODOOR CUT A-4.1 3" = 1'-0"

CROSSFIELDS
CHIROPRACTIC OFFICE DESIGN

3055 Brannen Parkway
 Suite 3012
 Marietta, GA 30066
 Phone: 770.435.9200
 Web: www.ChiropracticOfficeDesign.com

THIS DRAWING IS THE PROPERTY OF CROSSFIELDS, INC. AND ANY REPRODUCTION OR COPYING OF THIS DRAWING, IN WHOLE OR PART IS PROHIBITED WITHOUT WRITTEN PERMISSION.

INNOVATION
COMPOUNDING
DR. SHAWN HODGES
 6095 PINE MOUNTAIN RD., SUITE 104
 KENNESAW, GA 30152

REVISIONS:

NO.	DATE	DESCRIPTION

DRAWN BY: MVS
 CHECKED BY: CMB/SB
 DATE: 09.24.19
 PROJECT NUMBER: 17125-IC
 SHEET NO:

A-4.1

FOR PERMIT