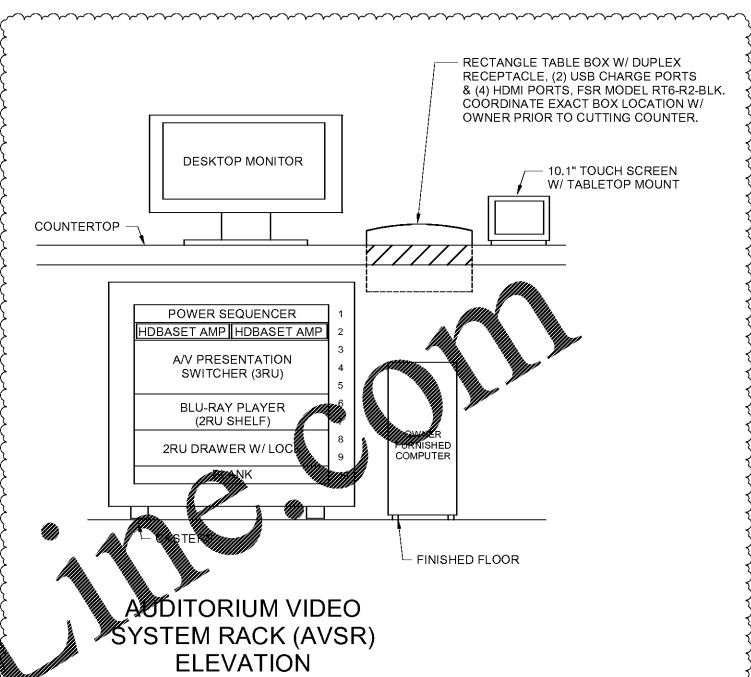
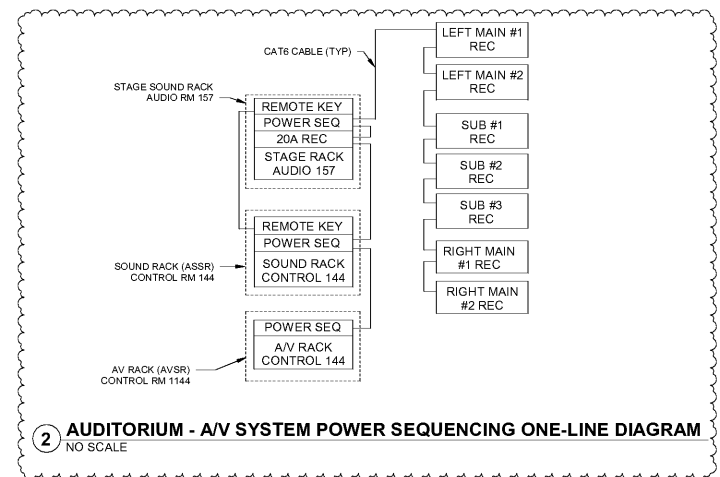


- AUDITORIUM VIDEO SYSTEM ONE-LINE DIAGRAM NOTES:
- CONTROL SCHEME: COORDINATE EXACT PAGE LAYOUT WITH OWNER AND ENGINEER PRIOR TO PROGRAMMING. SYSTEM SHALL BE ABLE TO CONTROL HOUSE LIGHTING (PRESETS), THEATER AUDIO (PRESETS AND HOT MICS), VIDEO SYSTEMS, PTZ CAMERA, PROJECTOR, SCREEN, ETC. THERE WILL BE TWO MODES OF OPERATION IN THE AUDITORIUM, PRESENTATION AND THEATRICAL. IN PRESENTATION MODE, WIRELESS MIC 'A', FLOOR BOX HOT MIC 'B' AND 'C' ARE TURNED ON. USERS CAN ADJUST MIC AND MASTER LEVELS ON THE TOUCH PANEL AT STAGE MANAGER PANEL. IF VIDEO IS REQUIRED, VIDEO CAN BE SELECTED FROM THIS TOUCH PANEL AND PROJECTOR AND SCREEN WILL OPERATE. HOUSE AND THEATRICAL LIGHTING PRESETS CAN BE ADJUSTED AT THE STAGE MANAGERS LIGHTING PANEL AS WELL. IN THE THEATRICAL MODE, THE MIXING CONSOLE, ALL MICROPHONES AND VIDEO SOURCES WILL BE OPERATED FROM AUDIO, VIDEO AND LIGHTING CONSOLES IN THE CONTROL BOOTH.
 - DIGITAL MEDIA 1:4 HDMI TO HDBASET SPLITTER.
 - DIGITAL MEDIA 1:4 HDBASET SPLITTER.
 - DIGITAL MEDIA 4K HDMI WALL INPUT PLATE TRANSMITTER W/ UTP CABLING AS SHOWN ON DRAWINGS.
 - HDMI INPUT JACK IN COMMON OUTLET WITH DATA NETWORK OUTLET FOR PTZ CAMERA. COORDINATE STAINLESS STEEL FACEPLATE WITH DIV 27 CONTRACTOR.
 - RECTANGLE TABLE BOX INSTALLED FLUSH IN CONTROL ROOM COUNTER W/ (4) HDMI PORTS. PROVIDE PATCH CABLE FROM OUTLETS TO SWITCHER AND (4) 6' HDMI CABLES FOR USER SIDE USE.
 - TOUCH SCREEN DISPLAY W/ ASSOCIATED BACKBOX/ CABLING.
 - DIGITAL MEDIA 4K WALL OUTPUT RECEIVER PLATE, SINGLE HDMI/ RS-232/ IR W/ UTP CABLING AS SHOWN ON DRAWING AND/OR REQUIRED BY MANUFACTURER. PROVIDE HDMI & IR/RS-232 CONNECTION TO LOCAL DISPLAY FOR CONTENT/CONTROL DELIVERY.
 - DIGITAL MEDIA 4K SURFACE MOUNT OUTPUT SCALER RECEIVER, SINGLE HDMI/ RS-232/ IR W/ UTP CABLING AS SHOWN ON DRAWINGS. PROVIDE HDMI & IR/RS-232 CONNECTION TO LOCAL DISPLAY FOR CONTENT/CONTROL DELIVERY.



1 AUDITORIUM - VIDEO SYSTEM ONE-LINE DIAGRAM & RACK ELEVATION
NO SCALE

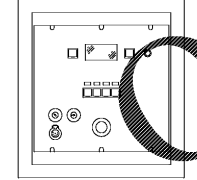


2 AUDITORIUM - AV SYSTEM POWER SEQUENCING ONE-LINE DIAGRAM
NO SCALE

NOTES:

- TOTAL COMBINED LENGTH OF C (HOIST CONTROL) AND ES (EMERGENCY STOP) WIRING RUNS CANNOT EXCEED 500 FEET (150 METERS).
- ALL C AND ES RUNS SHALL BE CONTINUOUS UNSPLICED RUNS.
- PHASE SEQUENCING FOR 3-PHASE POWER MUST BE OBSERVED AND BE CONSISTENT.
- HOIST CONTROL AND EMERGENCY STOP WIRING MUST BE IN GROUNDED METAL CONDUIT UNLESS SHIELDED CABLE (Cable STP) IS USED.

4-CHANNEL RIGGING CONTROLLER (FLUSH MOUNT)



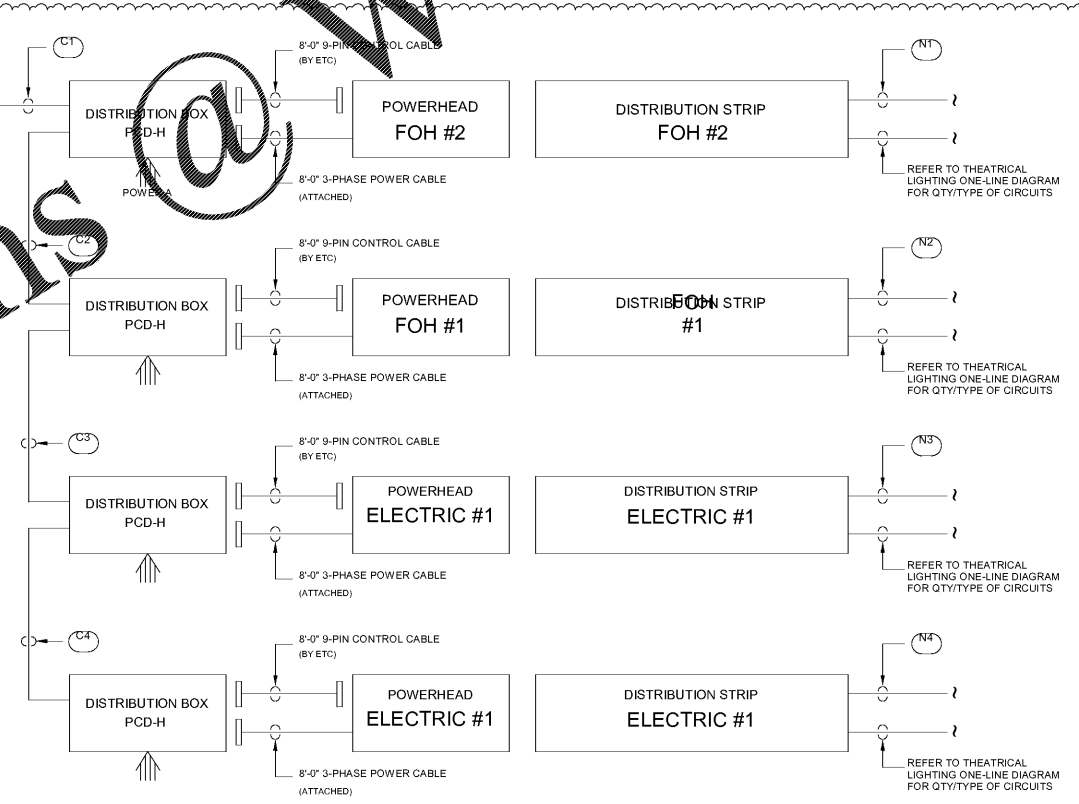
HOIST POWER LEGEND

SYMBOL	WIRE TYPE(S)	SIGNAL
C	(1) BELDEN #1583A	HOIST CONTROL (24AWG Cat5e)
ES	(1) BELDEN #1583A	E-STOP (24AWG Cat5e)
N	(1) BELDEN #1583A	ETCNet (Cat5e)

CONTROL WIRING LEGEND

SYMBOL	WIRE TYPE(S)	SIGNAL
C	(1) BELDEN #1583A	HOIST CONTROL (24AWG Cat5e)
ES	(1) BELDEN #1583A	E-STOP (24AWG Cat5e)
N	(1) BELDEN #1583A	ETCNet (Cat5e)

* = WIRE IDENTIFICATION NUMBER (NOT QUANTITY)



3 THEATER RIGGING SYSTEM ONE-LINE DIAGRAM
NO SCALE

SA&E PROJECT NUMBER	01-615-056
BID PACKAGE	BP-1
ISSUED FOR CONSTRUCTION	10/15/2019
Southern AE	
7951 Truon Circle Austell, Ga 30168 (770) 519-7777 architects & engineers	
FACILITY CODE NUMBER: 674-0110 GYMNASIUM/AUDITORIUM FOR: HEARD COUNTY SCHOOLS	
545 MAIN STREET, FRANKLIN, GA 30217 HEARD COUNTY SCHOOL SYSTEM FRANKLIN, GEORGIA	
AUDITORIUM - VIDEO SYSTEM ONE-LINE DIAGRAM	
DRAWING NUMBER	E508