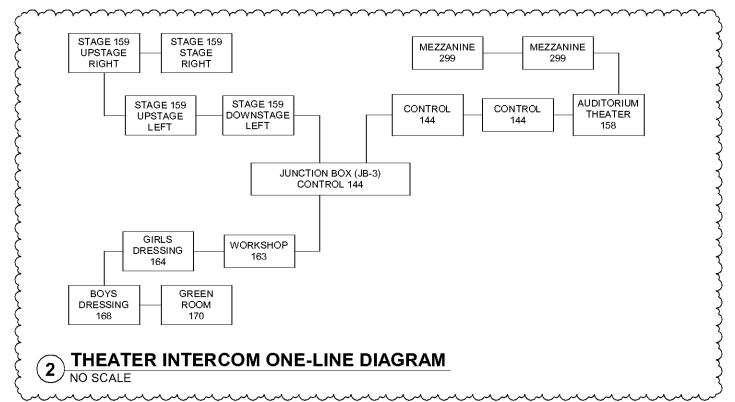


1 THEATER SOUND SYSTEM ONE-LINE DIAGRAM & RACK ELEVATION
NO SCALE



2 THEATER INTERCOM ONE-LINE DIAGRAM
NO SCALE

Order Plans @

SA&E PROJECT NUMBER	01-615-056
BID PACKAGE	BP-1
ISSUED FOR CONSTRUCTION	10/15/2019
Southern AE 7951 Traxon Circle Austell, Ga 30168 (770) 519-7777 architects & engineers	REVISIONS R # Doc # Date 1 AD1 11.4.2019
	FACILITY CODE NUMBER: 674-0110 GYMNASIUM/AUDITORIUM FOR: HEARD COUNTY SCHOOLS 545 MAIN STREET, FRANKLIN, GA 30217 HEARD COUNTY SCHOOL SYSTEM FRANKLIN, GEORGIA
AUDITORIUM - SOUND SYSTEM AND INTERCOM ONE-LINE DIAGRAMS	
STATE OF GEORGIA REGISTERED ARCHITECT No. 27157 FRANKLIN CAMPBELL FRANKLIN, GA	STATE OF GEORGIA REGISTERED PROFESSIONAL ENGINEER No. 27157 FRANKLIN CAMPBELL FRANKLIN, GA
DRAWING NUMBER	E507