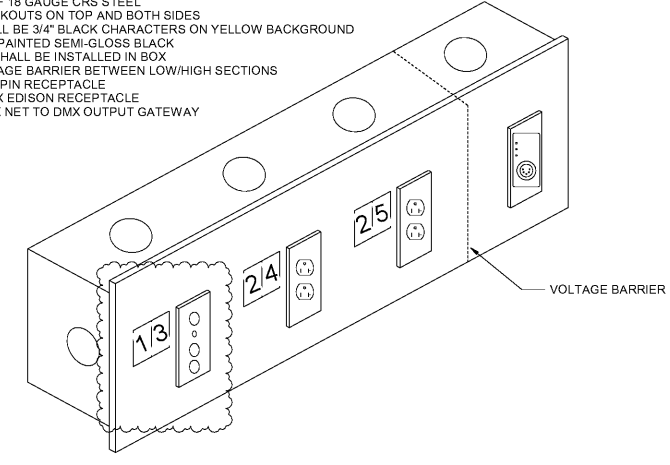


FLUSH MOUNT WALL BOX SPECIFICATIONS:

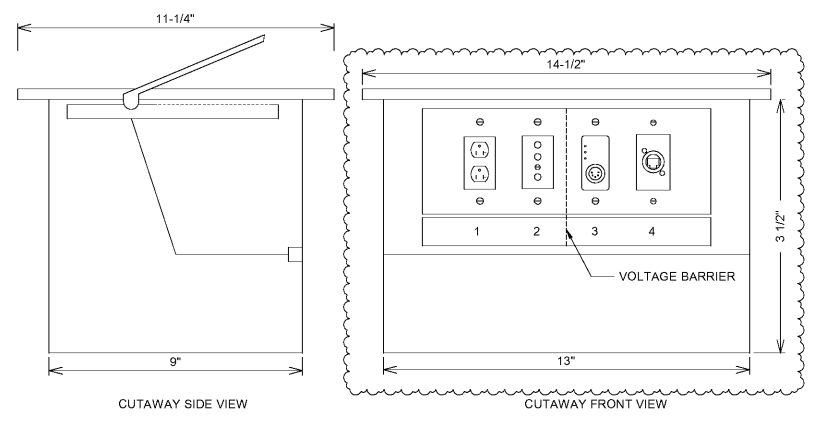
- * 4-GANG DEEP OUTLET BOX W/ VOLTAGE BARRIER
 - * FABRICATED OF 18 GAUGE CRS STEEL
 - * CONDUIT KNOCKOUTS ON TOP AND BOTH SIDES
 - * NUMBERS SHALL BE 3/4" BLACK CHARACTERS ON YELLOW BACKGROUND
 - * BOX SHALL BE PAINTED SEMI-GLOSS BLACK
 - * GROUND LUG SHALL BE INSTALLED IN BOX
 - * PROVIDE VOLTAGE BARRIER BETWEEN LOW/HIGH SECTIONS
- (1) 20A STAGE PIN RECEPTACLE
 - (2) 20A DUPLEX EDISON RECEPTACLE
 - (1) 1-PORT DMX NET TO DMX OUTPUT GATEWAY



1 DETAIL - THEATRICAL - FLUSH MOUNT WALL BOX (4 OUTLET)
NO SCALE

FLOOR POCKET OUTLET BOX SPECIFICATIONS:

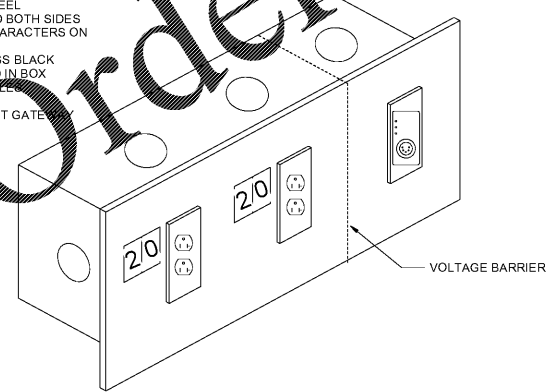
- * 3/8" CAST IRON NON-SKID BLACK MATTE FINISH FLOOR PLATE
 - * SELF CLOSING HINGED DOOR
 - * 3/4" WHITE DIE CUT CIRCUIT IDENTIFICATION
 - * 16 GAUGE GALVANIZED STEEL BACK BOX AND RECEPTACLE PLATE
 - * PROVIDE VOLTAGE BARRIER BETWEEN LOW/HIGH SECTIONS
- (1) 20A DUPLEX EDISON RECEPTACLE
 - (1) 20A STAGE PIN RECEPTACLE
 - (1) NET3 1-PORT DMX NET TO DMX OUTPUT GATEWAY
 - (1) DMX NET



2 DETAIL - THEATRICAL LIGHTING FLOOR POCKET OUTLET BOX
NO SCALE

FLUSH MOUNT WALL BOX SPECIFICATIONS:

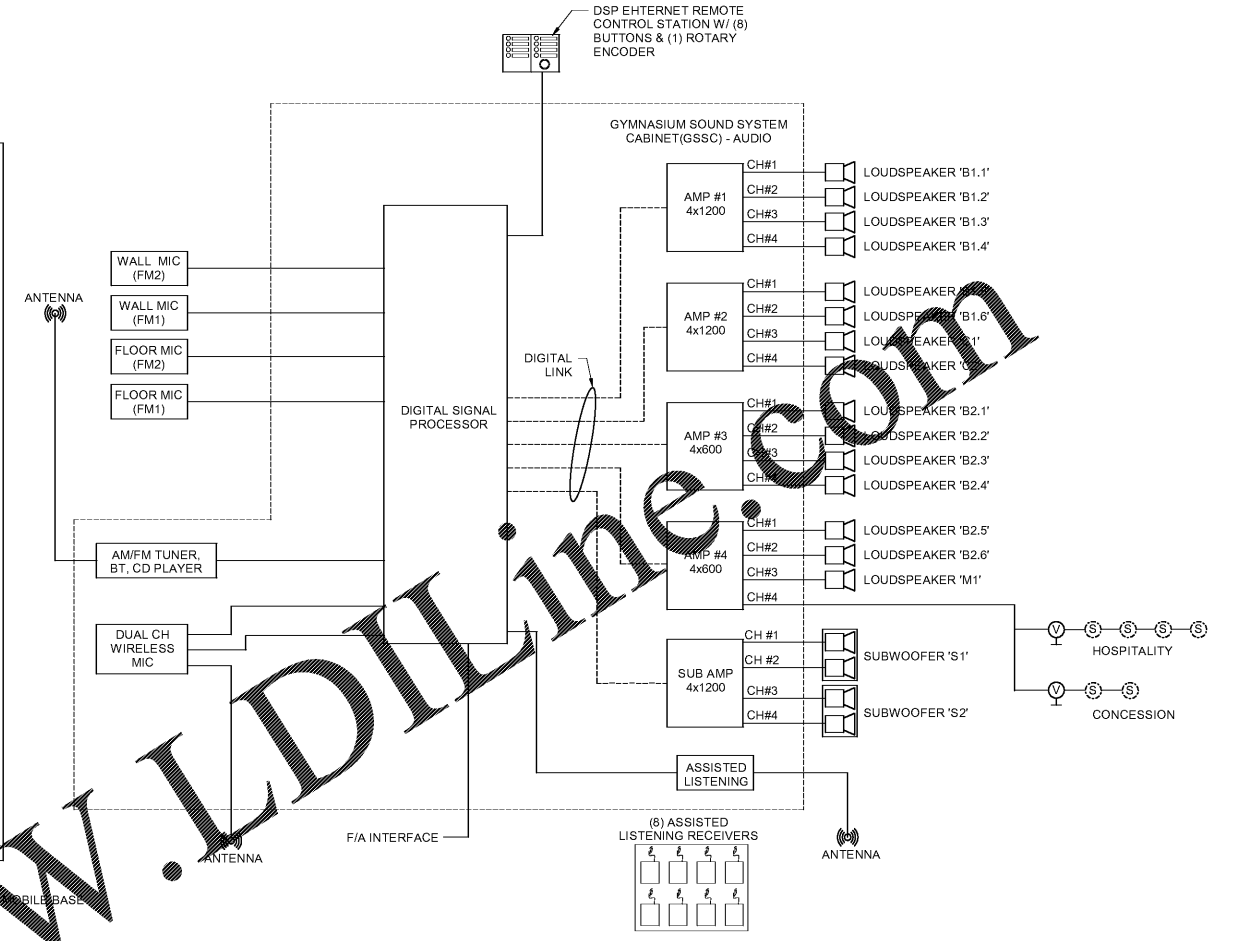
- * 3-GANG OUTLET BOX W/ VOLTAGE DIVIDER
- * FABRICATED OF 18 GAUGE CRS STEEL
- * CONDUIT KNOCKOUTS ON TOP AND BOTH SIDES
- * NUMBERS SHALL BE 3/4" BLACK CHARACTERS ON YELLOW BACKGROUND
- * BOX SHALL BE PAINTED SEMI-GLOSS BLACK
- * GROUND LUG SHALL BE INSTALLED IN BOX
- * (2) 20A DUPLEX EDISON RECEPTACLE
- * (1) 1-PORT DMX NET TO DMX OUTPUT GATEWAY



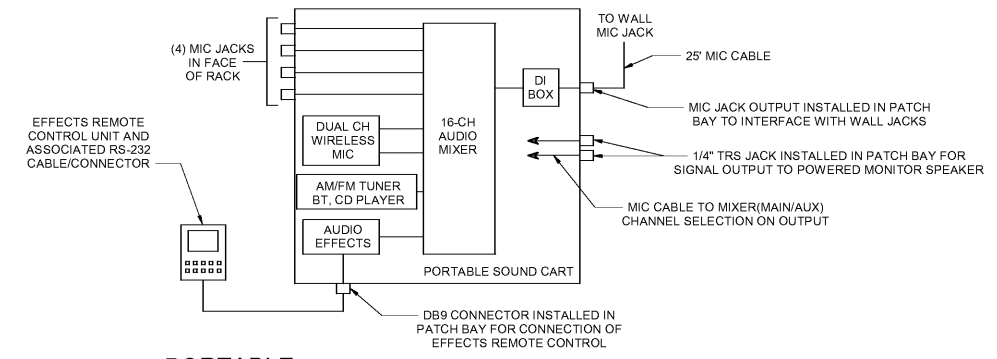
3 DETAIL - TORM (SIDELIGHT) FLUSH MOUNT WALL BOX (3 OUTLET)
NO SCALE

GYMNASIUM SOUND SYSTEM CABINET(GSSC)

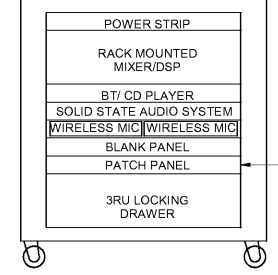
| |
|---------------------------|
| 1 RU BLANK PANEL |
| POWER SEQUENCER |
| HEARING ASSIST. SYSTEM |
| 1 RU BLANK PANEL |
| WIRELESS MIC WIRELESS MIC |
| DSP |
| 2 RU BLANK PANEL |
| AM/FM TUNER & BT/ CD |
| 1 RU BLANK PANEL |
| 2 RU RACK MOUNT SHELF |
| 3 RU LOCKING DRAWER |
| 3 RU LOCKING DRAWER |
| 2 RU BLANK PANEL |
| AMPLIFIER #1 |
| 1 RU BLANK PANEL |
| AMPLIFIER #2 |
| 1 RU BLANK PANEL |
| AMPLIFIER #3 |
| 1 RU BLANK PANEL |
| AMPLIFIER #4 |
| 1 RU BLANK PANEL |
| AMPLIFIER SUBS |
| 2 RU VENT PANEL |



4 MAIN GYM SOUND SYSTEM ONE LINE & RACK ELEVATION
NO SCALE



PORTABLE SOUND CART



PATCH PANEL W/ (1) RS-232C(SOLID STATE REMOTE), (4) FEMALE XLR(INPUTS), (1) FEMALE XLR(OUTPUT), (2) FEMALE 1/4"(MONITOR OUTS)

Order Plans @ www.IDIline.com

| SA&E PROJECT NUMBER | 01-615-056 | | | | | | |
|---|--|-----------|-------|------|---|-----|-----------|
| BID PACKAGE | BP-1 | | | | | | |
| ISSUED FOR CONSTRUCTION | 10/15/2019 | | | | | | |
| Southern AE | | | | | | | |
| 7951 Triton Circle Austell, Ga 30168 (770) 519-7777 architects & engineers | <table border="1"> <tr> <th>R #</th> <th>Doc #</th> <th>Date</th> </tr> <tr> <td>1</td> <td>AD1</td> <td>11.4.2019</td> </tr> </table> | R # | Doc # | Date | 1 | AD1 | 11.4.2019 |
| R # | Doc # | Date | | | | | |
| 1 | AD1 | 11.4.2019 | | | | | |

FACILITY CODE NUMBER: 674-0110
GYMNASIUM/AUDITORIUM FOR:
HEARD COUNTY SCHOOLS
 545 MAIN STREET, FRANKLIN, GA 30217
HEARD COUNTY SCHOOL SYSTEM
 FRANKLIN, GEORGIA

DETAILS

| | | |
|--|--|----------------|
| | | DRAWING NUMBER |
| | | E505 |