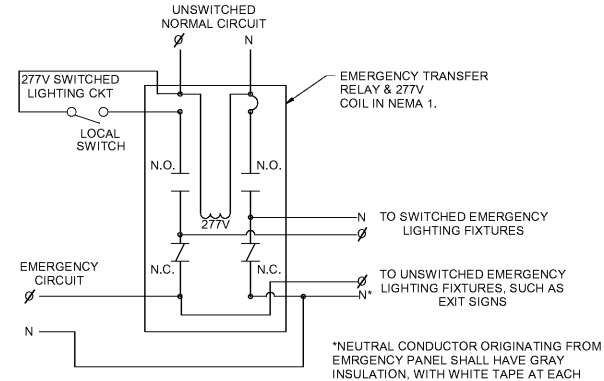
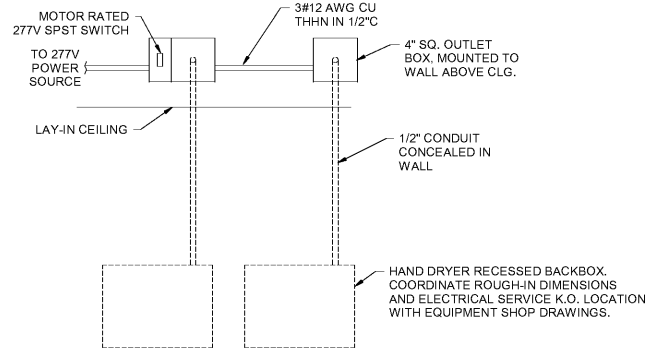


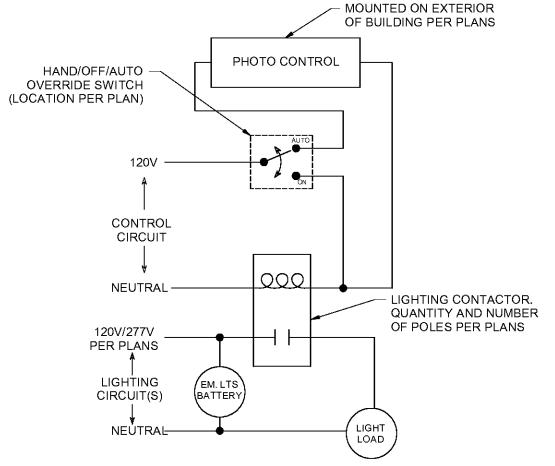
1 SCHEMATIC - ELEVATOR SHUNT TRIP BREAKER
NO SCALE



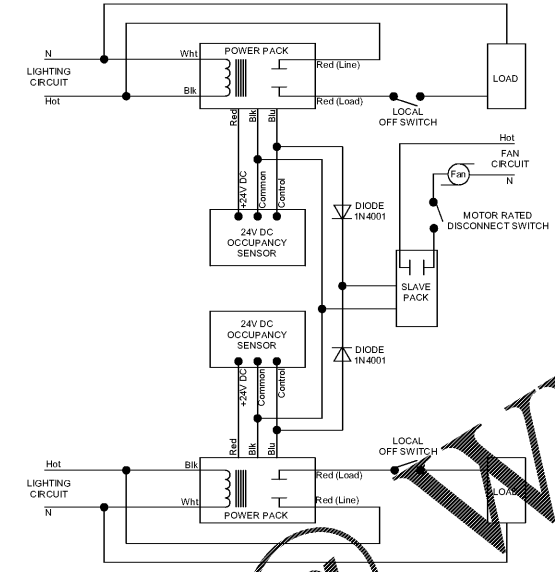
5 SCHEMATIC - SWITCHED EMERGENCY FIXTURE
12" = 1'-0"



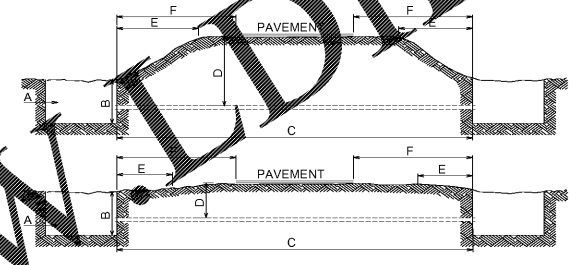
8 DETAIL - ELECTRIC HAND DRYER CONNECTION
NO SCALE



2 SCHEMATIC - EXTERIOR LIGHTING CONTROL HAND/OFF/AUTO SWITCH & PHOTOCELL WITH CONTACTOR
NO SCALE

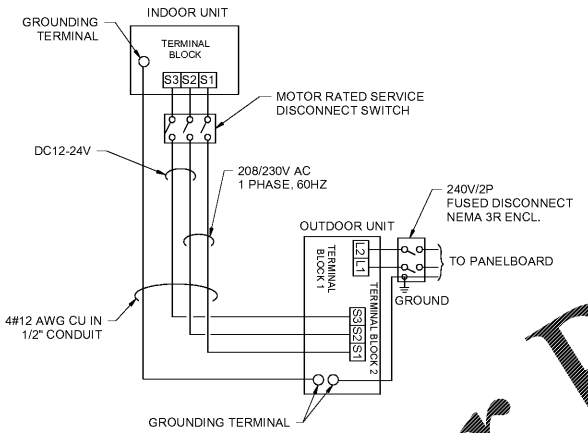


6 SCHEMATIC - TWO BATHROOMS WITH COMMON EXHAUST FAN AND OCCUPANCY SENSORS
12" = 1'-0"

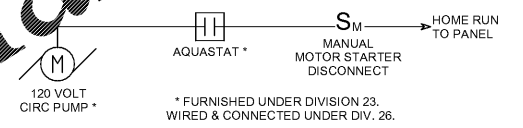


- I. DIMENSIONS
 A. PIT FOR MACHINE INSTALLATION EQUIPMENT.
 B. 3'-0" MINIMUM, 5'-0" MAXIMUM
 C. FOR ACCURACY, 50'-0" MAXIMUM LENGTH IS RECOMMENDED.
 D. MINIMUM 4'-0"
 E. SHALL NOT BE LESS THAN D.
 F. MINIMUM 10'-0" FROM PAVEMENT OR PAVED SHOULDER.
- II. NOTES
 A. ON CONVENTIONAL HIGHWAYS, CONDUIT SHALL BE INSTALLED TO THE FIELD SIDE OF DITCH OR CURB.

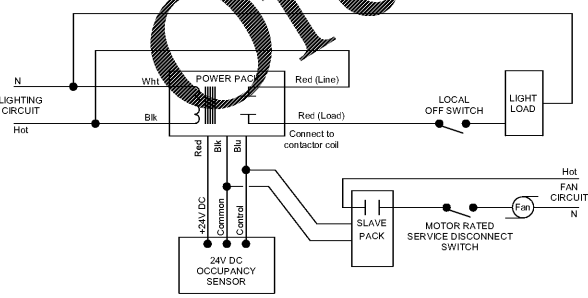
9 DETAIL - UNDERGROUND HIGHWAY CROSSING
NO SCALE



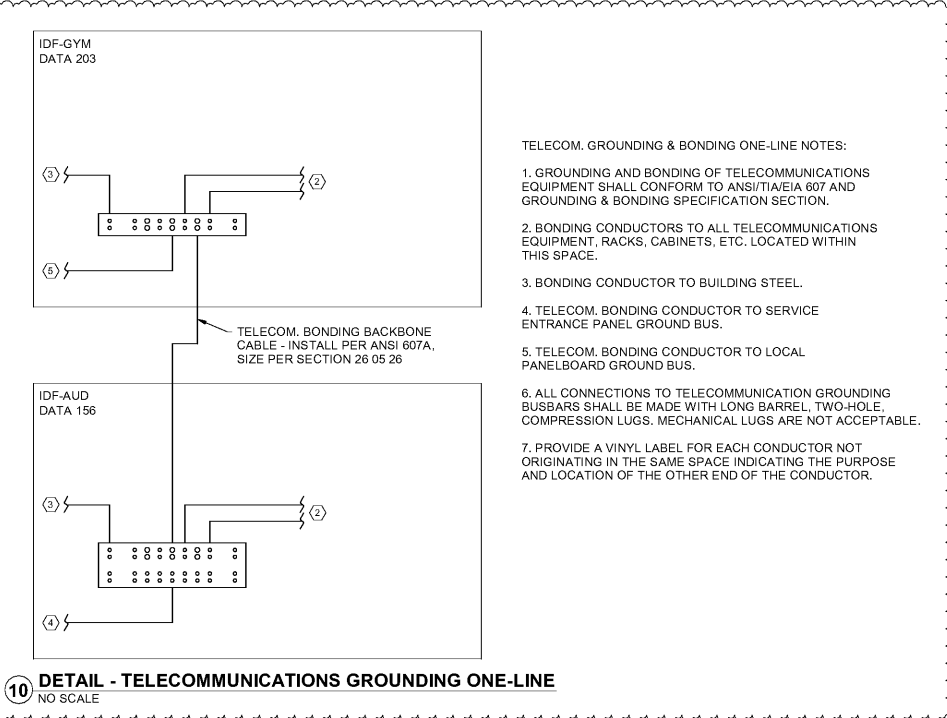
3 SCHEMATIC - MINISPLIT WIRING
NO SCALE



7 SCHEMATIC - WATER HEATER CIRC PUMP CONNECTION
NO SCALE



4 SCHEMATIC - SINGLE BATHROOM WITH EXHAUST FAN AND OCCUPANCY SENSOR
12" = 1'-0"



10 DETAIL - TELECOMMUNICATIONS GROUNDING ONE-LINE
NO SCALE

- TELECOM. GROUNDING & BONDING ONE-LINE NOTES:
- GROUNDING AND BONDING OF TELECOMMUNICATIONS EQUIPMENT SHALL CONFORM TO ANSIT/AEIA 607 AND GROUNDING & BONDING SPECIFICATION SECTION.
 - BONDING CONDUCTORS TO ALL TELECOMMUNICATIONS EQUIPMENT, RACKS, CABINETS, ETC. LOCATED WITHIN THIS SPACE.
 - BONDING CONDUCTOR TO BUILDING STEEL.
 - TELECOM. BONDING CONDUCTOR TO SERVICE ENTRANCE PANEL GROUND BUS.
 - TELECOM. BONDING CONDUCTOR TO LOCAL PANELBOARD GROUND BUS.
 - ALL CONNECTIONS TO TELECOMMUNICATION GROUNDING BUSBARS SHALL BE MADE WITH LONG BARREL, TWO-HOLE, COMPRESSION LUGS. MECHANICAL LUGS ARE NOT ACCEPTABLE.
 - PROVIDE A VINYL LABEL FOR EACH CONDUCTOR NOT ORIGINATING IN THE SAME SPACE INDICATING THE PURPOSE AND LOCATION OF THE OTHER END OF THE CONDUCTOR.

Order Plans

WWW.AEOnline.com

SA&E PROJECT NUMBER	01-615-056
BID PACKAGE	BP-1
ISSUED FOR CONSTRUCTION	10/15/2019
Southern AE	
7951 Traxon Circle Austell, Ga 30168 (770) 819-7777	REVISIONS R # Doc # Date 1 AD1 11.4.2019
architects & engineers	

FACILITY CODE NUMBER: 674-0110
 GYMNASIUM/AUDITORIUM FOR:
HEARD COUNTY SCHOOLS
 545 MAIN STREET, FRANKLIN, GA 30217
HEARD COUNTY SCHOOL SYSTEM
 FRANKLIN, GEORGIA

DETAILS

DRAWING NUMBER
E504