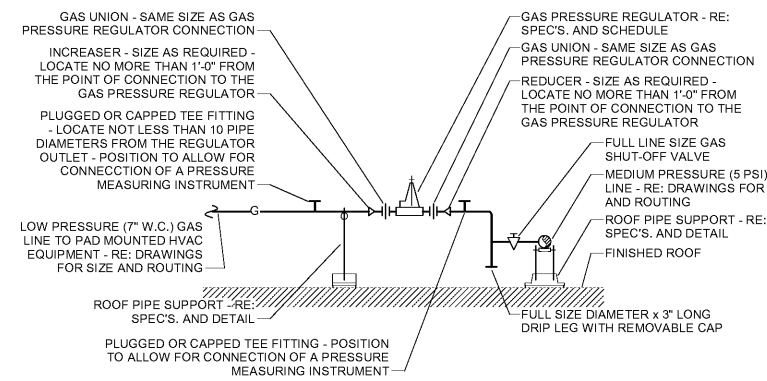
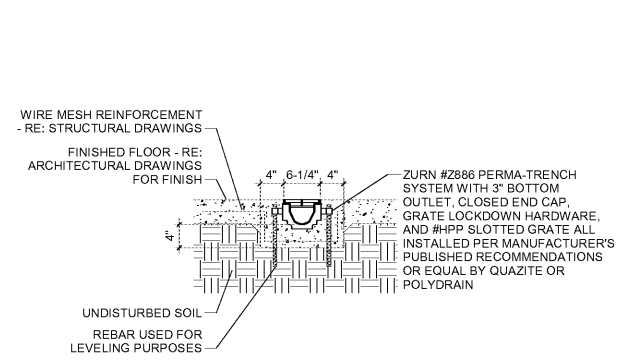


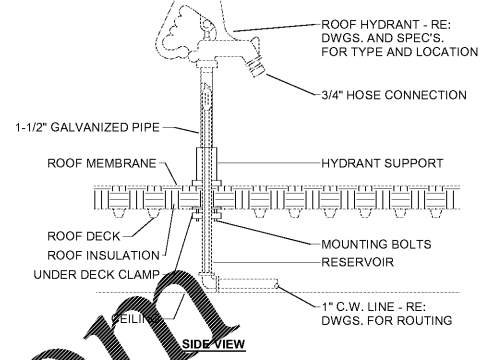
1 GAS CONNECTION DETAIL NTS



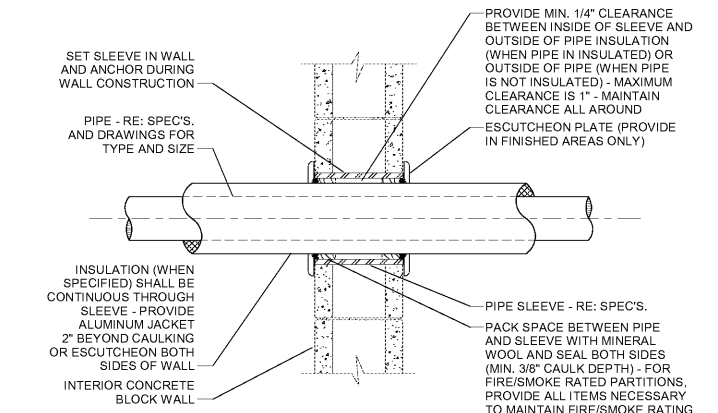
2 GAS PRESSURE REGULATOR DETAIL NTS



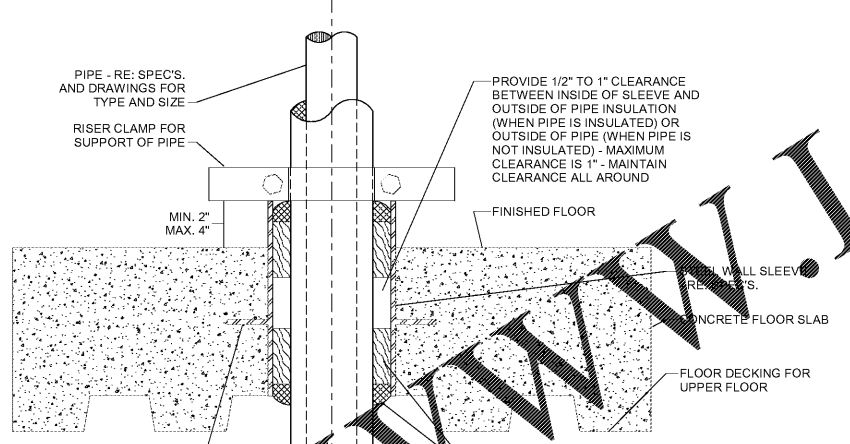
3 FLOOR TRENCH DETAIL NTS



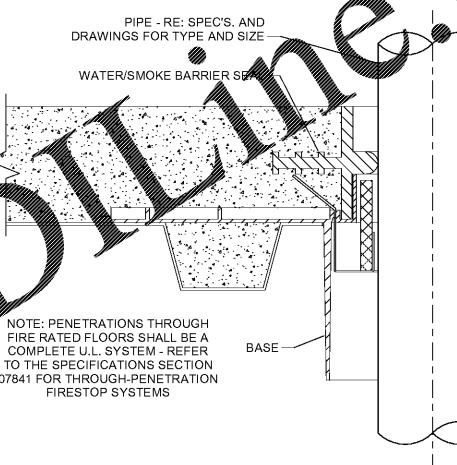
4 EXTERIOR POST HYDRANT DETAIL NTS



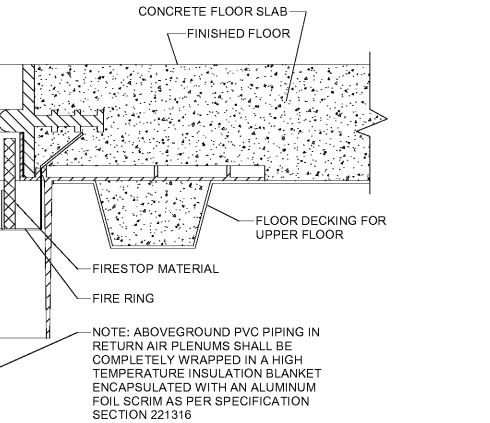
5 WALL PIPE SLEEVE DETAIL NTS



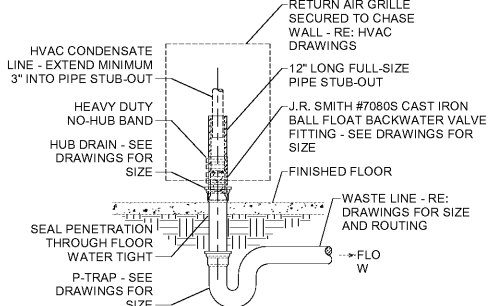
6 FLOOR PIPE SLEEVE DETAIL NTS



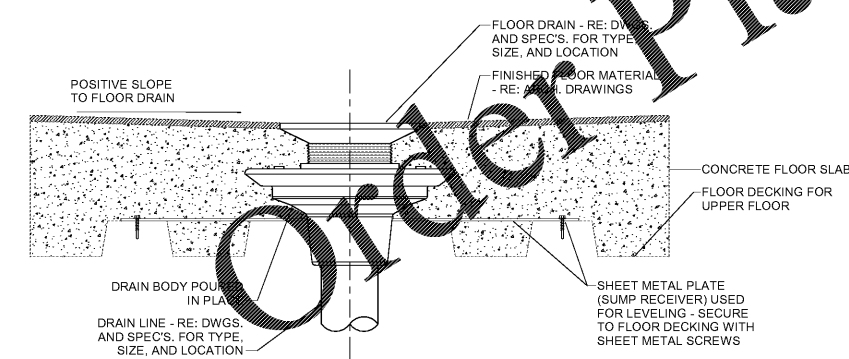
7 FLOOR PIPE SLEEVE DETAIL NTS



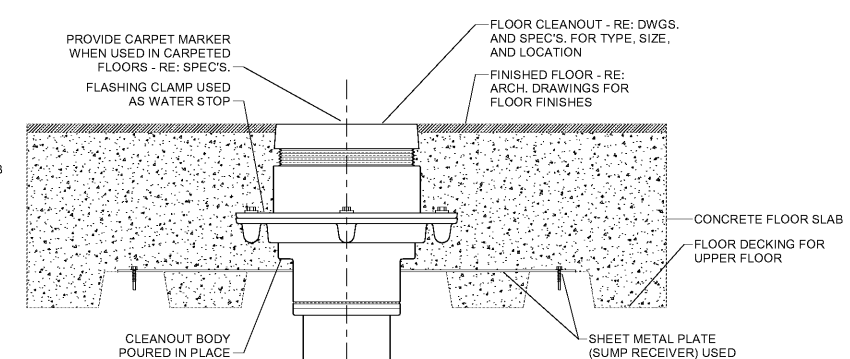
7 FLOOR PIPE SLEEVE DETAIL NTS



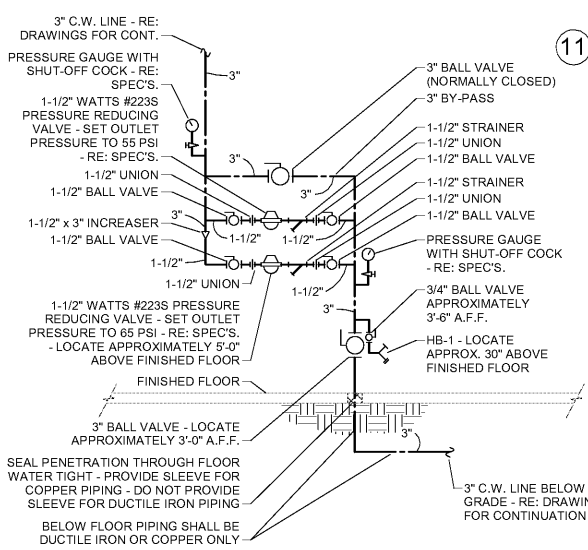
8 UPPER LEVEL FLOOR DRAIN DETAIL NTS



8 UPPER LEVEL FLOOR DRAIN DETAIL NTS



9 UPPER LEVEL FLOOR CLEANOUT DETAIL NTS



10 DOMESTIC WATER PRV STATION DETAIL NTS

11 HVAC CONDENSATE HUB DRAIN DETAIL NTS

SA&E PROJECT NUMBER	01-615-056
BID PACKAGE	BP-1
ISSUED FOR CONSTRUCTION	10/15/2019
Southern AE	
7951 Triton Circle Austell, Ga 30168 (770) 519-7777 architects & engineers	
REVISIONS	R # Doc # Date
FACILITY CODE NUMBER: 674-0110 GYMNASIUM/AUDITORIUM FOR: HEARD COUNTY SCHOOLS	
545 MAIN STREET, FRANKLIN, GA 30217 HEARD COUNTY SCHOOL SYSTEM FRANKLIN, GEORGIA	
PLUMBING DETAILS	
DRAWING NUMBER	P502

