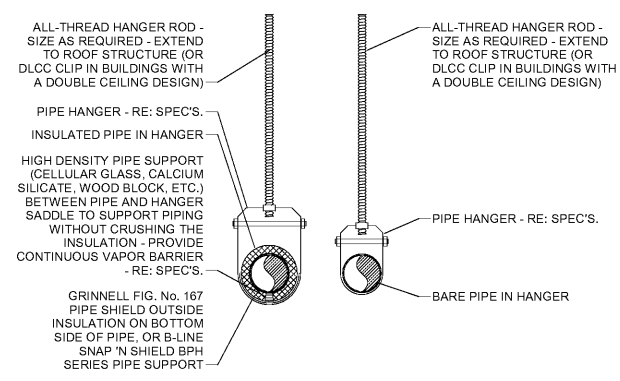
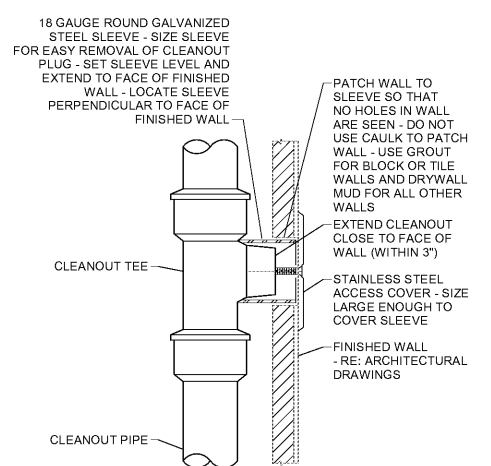


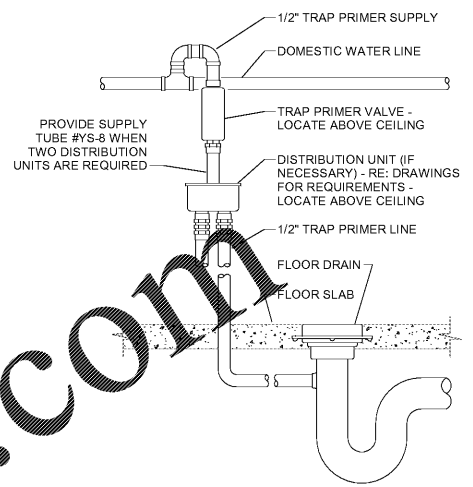
1 PIPE HANGER DETAIL NTS



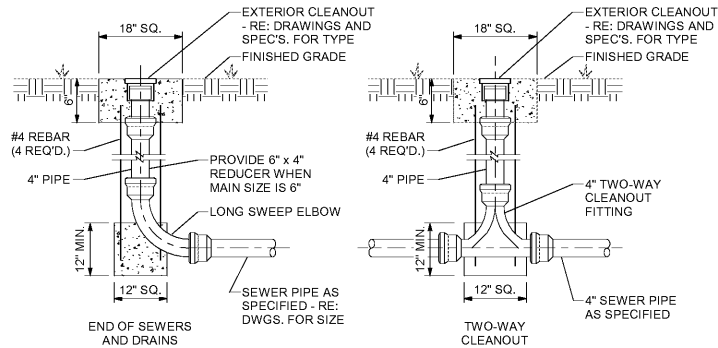
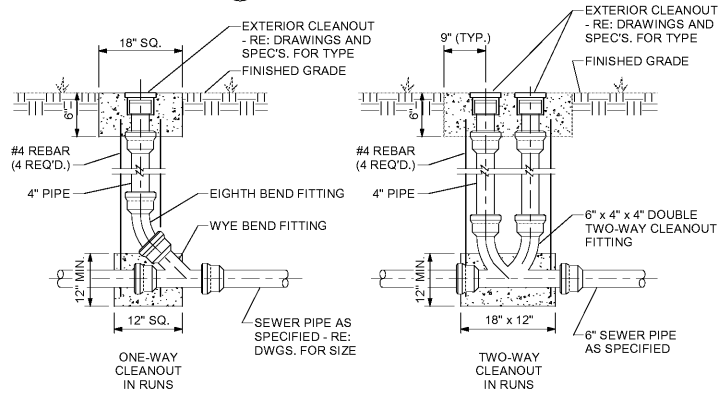
2 PIPE HANGER DETAIL NTS



3 WALL CLEANOUT DETAIL NTS

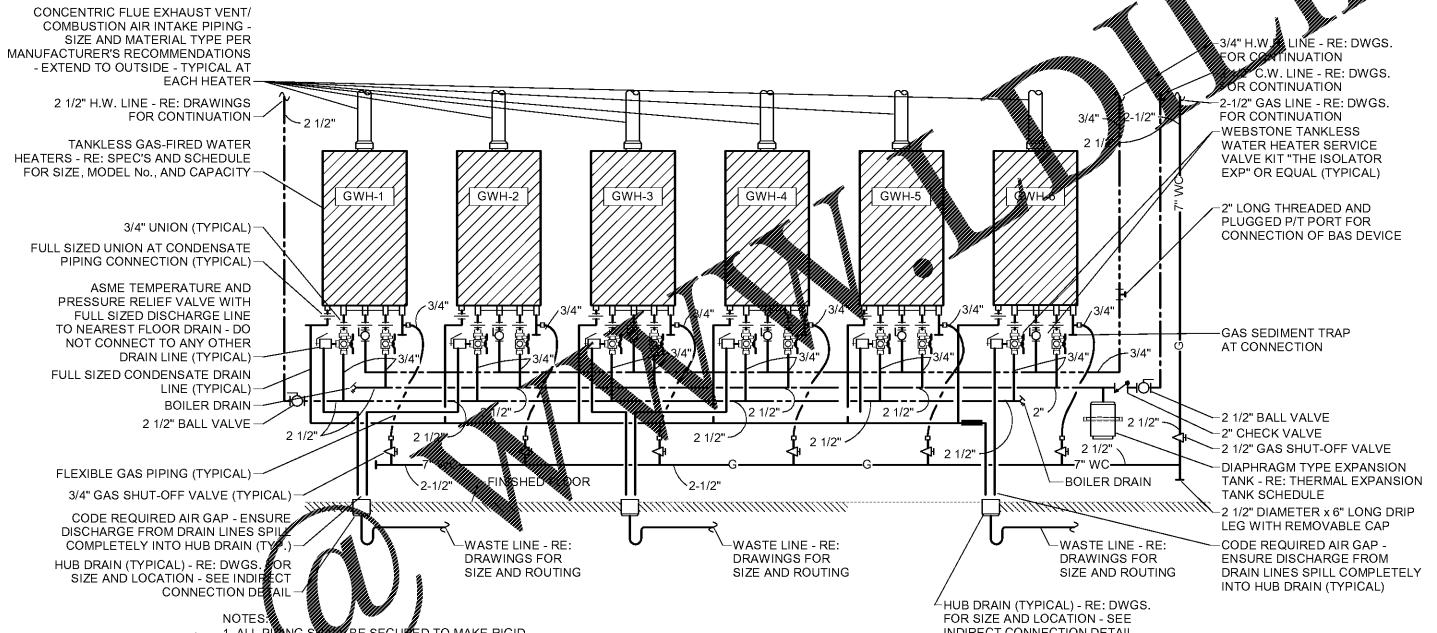


4 TRAP PRIMER VALVE DETAIL NTS



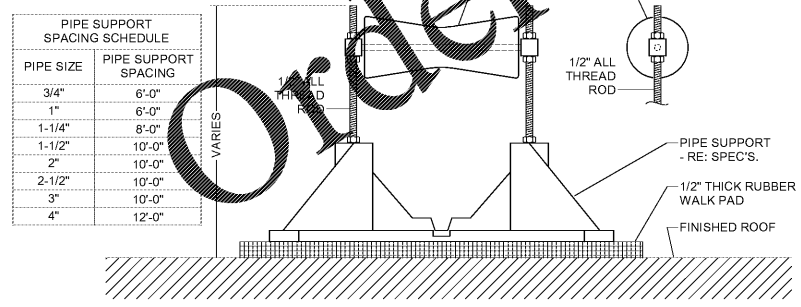
- NOTES:
- REBAR NOT REQUIRED WHEN CLEANOUT INSTALLED IN PAVED AREAS.
 - ALL EXTERIOR CLEANOUTS SHALL BE ONE-WAY EXCEPT WHERE SPECIFICALLY INDICATED ON THE DRAWINGS AS TWO-WAY.

5 EXTERIOR CLEANOUT DETAIL NTS

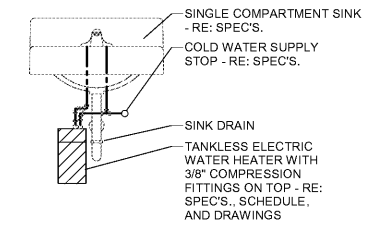


- NOTES:
- ALL PIPING SHALL BE SECURED TO MAKE RIGID.
 - ALL PIPING SHALL BE FULL SIZED TO POINT OF CONNECTION TO WATER HEATER SYSTEM.
 - EXTEND CONDENSATE DRAIN LINES SEPARATELY FROM WATER HEATERS TO NEAREST FLOOR DRAIN. DRAIN LINE SIZE AND MATERIAL TYPE PER MANUFACTURER'S RECOMMENDATIONS.
 - SECURE WATER HEATERS TO WALL PER MANUFACTURER'S RECOMMENDATIONS.
 - LOCATE GAS SHUT-OFF VALVES NO MORE THAN 6'-0" FROM POINT OF CONNECTION TO HEATER.
 - SET BOTTOM OF EACH UNIT APPROXIMATELY 4'-0" ABOVE FINISHED FLOOR.
 - CIRCULATING PUMP IS INTEGRAL WITH TANKLESS HEATERS - RE: SPECIFICATIONS.
 - SUPPORT EXPANSION TANK TO WALL TO MAKE RIGID. SET AIR PRE-CHARGE PRESSURE AT WATER SUPPLY PRESSURE.
 - P/T PORT USED FOR CONNECTION OF BAS DEVICE TO MONITOR DOMESTIC HOT WATER CIRCULATION LOOP TEMPERATURE. REFER TO SPECIFICATION SECTIONS 230900 AND 230993 FOR CONNECTION TO BAS.

6 WATER HEATER DETAIL NTS

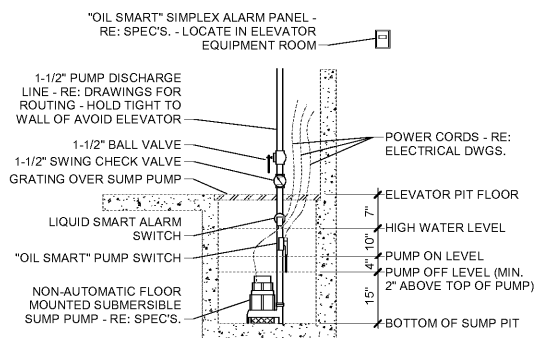


8 PIPE SUPPORT DETAIL NTS



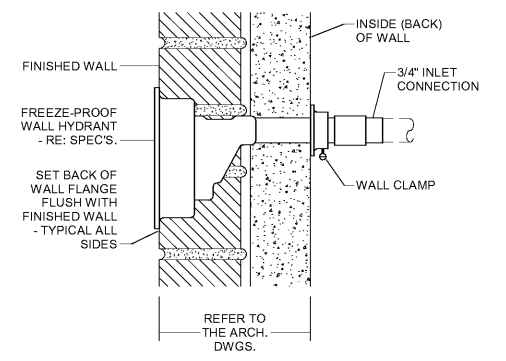
9 WATER HEATER DETAIL NTS

NOTE: INSTALLATION SIMILAR AT COUNTER MOUNTED FIXTURES.



10 ELEVATOR SUMP PIPING DETAIL NTS

7 NON-FREEZE WALL HYDRANT DETAIL NTS



SA&E PROJECT NUMBER	01-615-056
BID PACKAGE	BP-1
ISSUED FOR CONSTRUCTION	10/15/2019
Southern AE	
7951 Tricon Circle Austell, Ga 30168 (770) 819-7777	REVISIONS
architects & engineers	R # Doc # Date
FACILITY CODE NUMBER: 674-0110	
GYMNASIUM/AUDITORIUM FOR: HEARD COUNTY SCHOOLS	
545 MAIN STREET, FRANKLIN, GA 30217	
HEARD COUNTY SCHOOL SYSTEM FRANKLIN, GEORGIA	
PLUMBING DETAILS	
STATE OF GEORGIA REGISTERED ARCHITECT	DRAWING NUMBER
STATE OF GEORGIA REGISTERED ENGINEER IN MECHANICAL ENGINEERING	P501