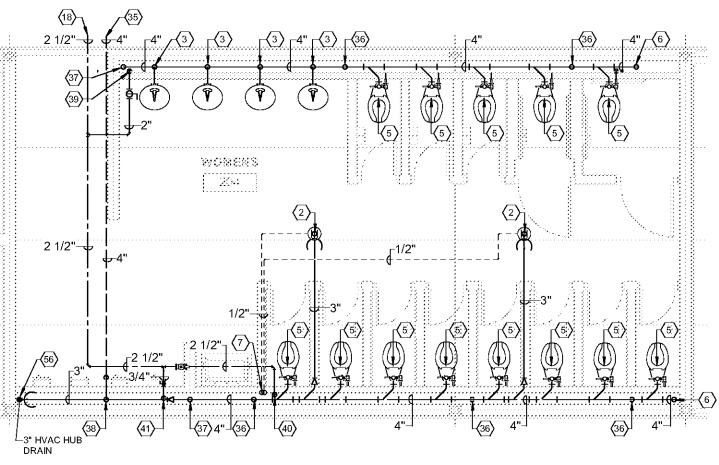
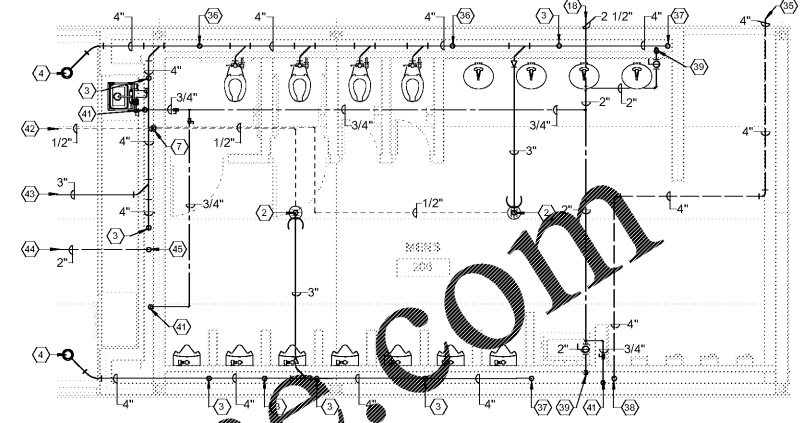


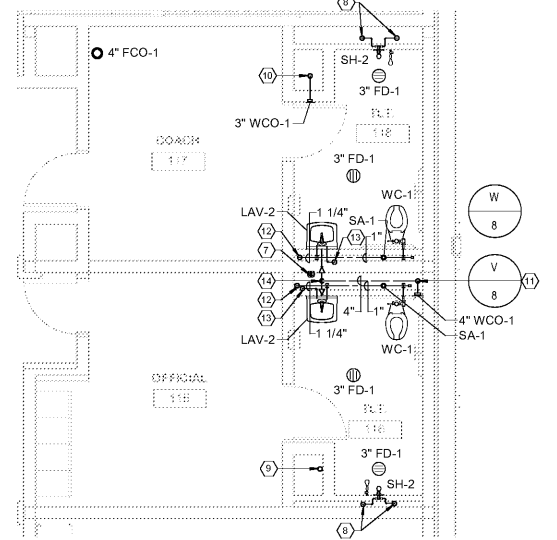
1 LEVEL 01 ENLARGED PLUMBING BELOW FLOOR PLAN - COACH 117
1/4" = 1'-0"



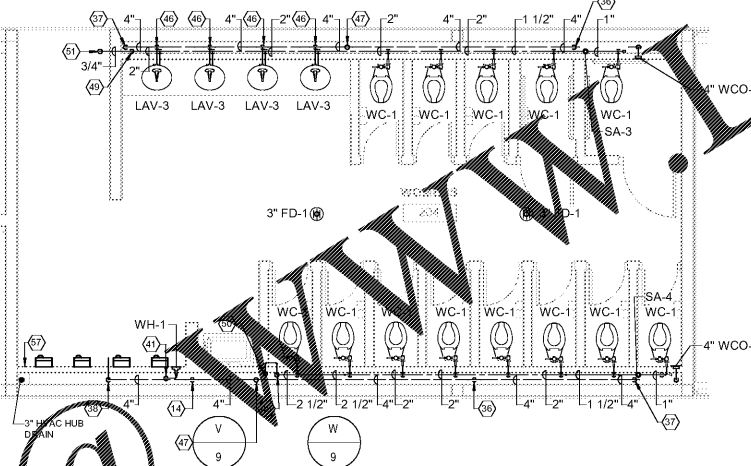
4 LEVEL 02 ENLARGED PLUMBING BELOW FLOOR PLAN - WOMENS 204
1/4" = 1'-0"



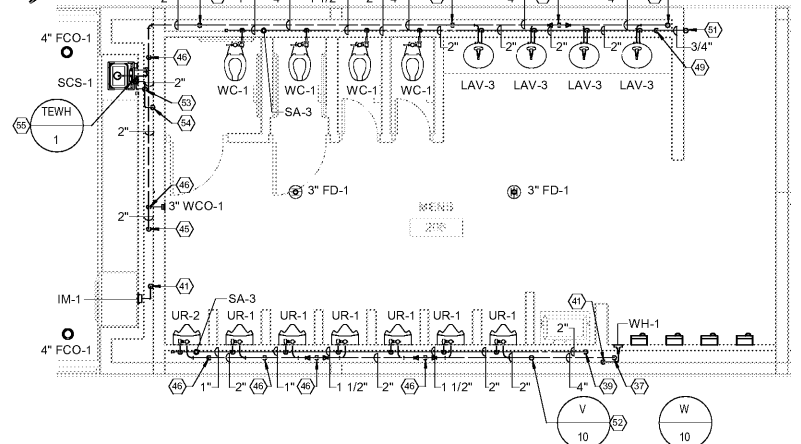
6 LEVEL 02 ENLARGED PLUMBING BELOW FLOOR PLAN - MEN 206
1/4" = 1'-0"



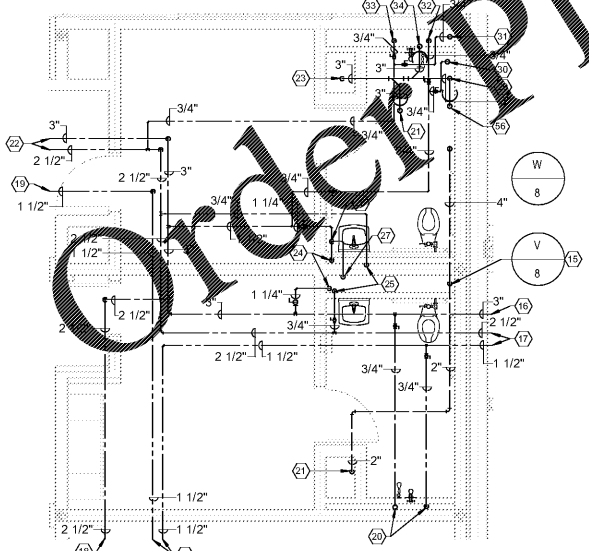
2 LEVEL 01 ENLARGED PLUMBING ABOVE FLOOR PLAN - COACH 117
1/4" = 1'-0"



5 LEVEL 02 ENLARGED PLUMBING ABOVE FLOOR PLAN - WOMENS 204
1/4" = 1'-0"



7 LEVEL 02 ENLARGED PLUMBING ABOVE FLOOR PLAN - MEN 206
1/4" = 1'-0"




3 LEVEL 01 ENLARGED PLUMBING ABOVE CEILING PLAN - COACH 117
1/4" = 1'-0"

SPECIFIC PLUMBING PLAN NOTES - P406

- (1) 4" SAN. WASTE LINE-RE: 1/P101 FOR CONTINUATION.
- (2) 3" SAN. WASTE LINE DOWN FROM FLOOR DRAIN.
- (3) 3" SAN. WASTE LINE DOWN.
- (4) 4" SAN. WASTE LINE DOWN FROM FLOOR CLEANOUT.
- (5) 4" SAN. WASTE LINE DOWN FROM WATER CLOSET.
- (6) 4" SAN. WASTE LINE DOWN.
- (7) 1/2" TRAP PRIMER LINES DOWN.
- (8) 3/4" C.W. AND 3/4" H.W. LINE DOWN FROM ABOVE CEILING.
- (9) 2" SAN. VENT LINE UP TO ABOVE CEILING.
- (10) 3" SAN. WASTE DOWN FROM FLOOR ABOVE.
- (11) 4" SAN. WASTE DOWN AND 4" SAN. VENT UP TO ABOVE CEILING.
- (12) 1 1/4" C.W. LINE DOWN FROM ABOVE CEILING.
- (13) 3/4" H.W. LINE DOWN FROM ABOVE CEILING.
- (14) 4" SAN. WASTE DOWN AND 4" SAN. VENT UP.
- (15) 4" SAN. VENT LINE UP FROM FLOOR BELOW.
- (16) 3" C.W. LINE-RE: 1/P103 FOR CONTINUATION.
- (17) 2 1/2" H.W. AND 1 1/2" H.W. LINES-RE: 1/P103 FOR CONTINUATION.
- (18) 2 1/2" C.W. LINE-RE: 1/P101 FOR CONTINUATION.
- (19) 1 1/2" H.W. LINE-RE: 1/P101 FOR CONTINUATION.
- (20) 3/4" C.W. AND 3/4" LINES DOWN TO FLOOR BELOW.
- (21) 3" SAN. WASTE DOWN FROM FLOOR DRAIN AT FLOOR ABOVE.
- (22) 3" C.W. AND 2 1/2" H.W. LINES-RE: 1/P101 FOR CONTINUATION.
- (23) 3" SAN. WASTE LINE DOWN TO FLOOR BELOW.
- (24) 1 1/4" C.W. LINE DOWN TO FLOOR BELOW.
- (25) 3/4" H.W. LINE DOWN TO FLOOR BELOW.
- (26) RISE 1/2" C.W. LINE OFF TOP OF WATER MAIN.
- (27) DROP 1/2" C.W. INTO TOP OF TRAP SEAL PRIMER VALVE AND DISTRIBUTION UNIT - RE: SPEC'S. - PROVIDE ONE (1) VALVE AND DISTRIBUTION UNIT TO PROVIDE TRAP SEAL PROTECTION TO FOUR (4) TRAPS - LOCATE VALVE AND DISTRIBUTION UNIT ABOVE CEILING LEVEL AND DROP FOUR (4) 1/2" TRAP PRIMER LINES DOWN TO BELOW FLOOR.
- (28) 3" SAN. WASTE DOWN AT FLOOR ABOVE.
- (29) 3/4" C.W. LINE UP TO FLOOR ABOVE.
- (30) 3/4" H.W. LINE UP TO FLOOR ABOVE.

SPECIFIC PLUMBING PLAN NOTES - P406

- (31) 3/4" C.W. LINE DOWN TO FLOOR BELOW.
- (32) 3/4" H.W. LINE DOWN TO FLOOR BELOW.
- (33) 3" SAN. WASTE DOWN FROM MOP SINK AT FLOOR ABOVE.
- (34) 4" SAN. VENT LINE-RE: 1/P101 FOR CONTINUATION.
- (35) 4" SAN. VENT LINE UP.
- (36) 4" SAN. VENT LINE UP FROM FLOOR BELOW.
- (37) 4" SAN. VENT LINE UP FROM FLOOR BELOW.
- (38) 4" SAN. VENT LINE UP FROM FLOOR BELOW.
- (39) 2" C.W. LINE UP FROM FLOOR BELOW.
- (40) 2 1/2" C.W. LINE UP FROM FLOOR BELOW.
- (41) 3/4" C.W. LINE DOWN TO FLOOR BELOW.
- (42) 1/2" TRAP PRIMER LINE-RE: 1/P102 FOR CONTINUATION.
- (43) 3" SAN. WASTE LINE-RE: 1/P102 FOR CONTINUATION.
- (44) 2" SAN. VENT LINE-RE: 1/P102 FOR CONTINUATION.
- (45) 2" SAN. VENT LINE UP.
- (46) 3" SAN. WASTE DOWN AND 2" SAN. VENT UP.
- (47) 4" SAN. VENT LINE UP TO 4" V.T.R.
- (48) 2 1/2" C.W. LINE UP FROM FLOOR BELOW-EXTEND 1/2" C.W. LINE UP TO ABOVE CEILING.
- (49) 2" C.W. LINE UP FROM FLOOR BELOW-EXTEND 3/4" C.W. LINE UP TO ABOVE CEILING.
- (50) DROP 1/2" C.W. INTO TOP OF TRAP SEAL PRIMER VALVE AND DISTRIBUTION UNIT - RE: SPEC'S. - PROVIDE ONE (1) VALVE AND DISTRIBUTION UNIT TO PROVIDE TRAP SEAL PROTECTION TO TWO (2) TRAPS - LOCATE VALVE AND DISTRIBUTION UNIT ABOVE CEILING LEVEL AND DROP TWO (2) 1/2" TRAP PRIMER LINES DOWN TO BELOW FLOOR.
- (51) 3/4" C.W. LINE UP TO BELOW ROOF LEVEL FOR ROOF HYDRANT.
- (52) 4" SAN. WASTE DOWN AND 4" SAN. VENT LINE UP TO 4" V.T.R.
- (53) 3/4" C.W. LINE UP FROM FLOOR BELOW-EXTEND 1/2" C.W. LINE UP TO ABOVE CEILING.
- (54) DROP 1/2" C.W. INTO TOP OF TRAP SEAL PRIMER VALVE AND DISTRIBUTION UNIT - RE: SPEC'S. - PROVIDE ONE (1) VALVE AND DISTRIBUTION UNIT TO PROVIDE TRAP SEAL PROTECTION TO THREE (3) TRAPS - LOCATE VALVE AND DISTRIBUTION UNIT ABOVE CEILING LEVEL AND DROP THREE (3) 1/2" TRAP PRIMER LINES DOWN TO BELOW FLOOR.
- (55) T.E.W.H.-1-RE: SPEC'S., SCHEDULE, AND DETAIL 9/P501.
- (56) 3" SAN. WASTE DOWN FROM HVAC CONDENSATE HUB DRAIN.
- (57) RETURN AIR GRILLE SECURED TO CHASE WALL - RE: DETAIL 11/P502 AND HVAC DRAWINGS.

SA&E PROJECT NUMBER	01-615-056
BID PACKAGE	BP-1
ISSUED FOR CONSTRUCTION	10/15/2019
Southern AE 7951 Traxon Circle Austell, Ga 30168 (770) 819-7777 architects & engineers	REVISIONS
	R # Doc # Date
FACILITY CODE NUMBER: 674-0110	
GYMNASIUM/AUDITORIUM FOR:	
HEARD COUNTY SCHOOLS	
545 MAIN STREET, FRANKLIN, GA 30217	
HEARD COUNTY SCHOOL SYSTEM	
FRANKLIN, GEORGIA	
ENLARGED PLUMBING FLOOR PLANS	
	DRAWING NUMBER
	P406