

1 GAS PIPING AT GAS METER DETAIL  
NTS

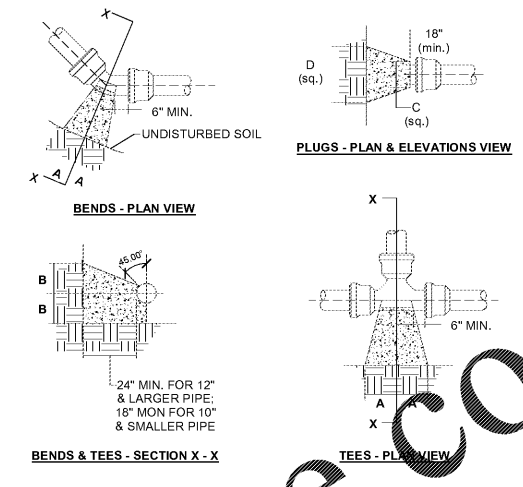
SOIL BEARING LOADS	
SOIL TYPE	BEARING LOAD (lb/ft <sup>2</sup> )
MUCK (TYPE III)	0
SOFT CLAY (TYPE III)	1000
SILT (TYPE III)	1500
SANDY SILT (TYPE II)	3000
SAND (TYPE I)	4000
SANDY CLAY (TYPE I)	6000

NOTES:  
1. FOR TYPE I AND TYPE II SOILS USE THRUST BLOCKS FOR PIPE JOINT RESTRAINT - REFER TO THE DETAILS AND THE "THRUST BLOCK MINIMUM DIMENSIONS" CHART FOR REQUIRED THRUST BLOCK SIZES.  
2. FOR TYPE III SOILS USE STRAPS AND RODS FOR PIPE JOINT RESTRAINT - REFER TO THE SOCKET CLAMP AND ANCHOR STRAP DETAILS AND CHARTS.

SOIL TYPE	SIZE (in)	THRUST BLOCK MINIMUM DIMENSIONS											
		90° BEND		45° BEND		22-12° BEND		11-1/2° BEND		TEES		PLUGS	
		A (in.)	B (in.)	A (in.)	B (in.)	A (in.)	B (in.)	A (in.)	B (in.)	A (in.)	B (in.)	C (in.)	D (in.)
TYPE I	4"	6"	8"	4"	8"	2"	6"	2"	6"	6"	8"	8"	12"
	6"	8"	10"	6"	8"	3"	8"	3"	8"	8"	8"	10"	15"
	8"	12"	12"	8"	10"	5"	9"	5"	9"	9"	12"	12"	20"
MINIMUM 4000 PSF SOIL	10"	16"	14"	10"	10"	7"	10"	7"	10"	11"	14"	14"	25"
	12"	19"	16"	14"	14"	9"	11"	9"	11"	14"	16"	16"	30"
	16"	26"	20"	16"	16"	11"	13"	11"	13"	18"	20"	20"	38"
TYPE II	4"	12"	10"	7"	10"	4"	6"	4"	6"	8"	12"	8"	18"
	6"	16"	10"	9"	10"	6"	8"	6"	8"	10"	12"	12"	21"
	8"	22"	17"	13"	13"	8"	10"	8"	10"	13"	16"	12"	29"
MINIMUM 2000 PSF SOIL	10"	26"	21"	17"	17"	10"	13"	10"	13"	16"	20"	14"	36"
	12"	29"	21"	16"	21"	11"	16"	11"	16"	18"	24"	16"	41"
	16"	38"	27"	21"	27"	12"	24"	12"	24"	24"	30"	20"	54"

NOTE: BASED ON 100 PSI STATIC PRESSURE PLUS AWWA WATER HAMMER. ALL BEARING SURFACES TO BE CARRIED TO UNDISTURBED GROUND.  
NOTE: SOIL CONDITIONS SHALL BE VERIFIED BEFORE A PIPE JOINT RESTRAINT DESIGN IS IMPLEMENTED. FORMATION OF CONCRETE SHALL BE SUCH THAT CONCRETE DOES NOT INTERFERE WITH BOLTS/NUTS OR HOLES.

2 THRUST BLOCK PIPE JOINT RESTRAINT DETAILS  
NTS



Order Plans @ WWW.IDLINE.com

SA&E PROJECT NUMBER	01-615-056
BID PACKAGE	BP-1
ISSUED FOR CONSTRUCTION	10/15/2019
<b>Southern AE</b> 7951 Tricon Circle Austell, Ga 30168 (770) 819-7777 architects & engineers	REVISIONS R # Doc # Date
	FACILITY CODE NUMBER: 674-0110 <b>GYMNASIUM/AUDITORIUM FOR:</b> <b>HEARD COUNTY SCHOOLS</b> 545 MAIN STREET, FRANKLIN, GA 30217 <b>HEARD COUNTY SCHOOL SYSTEM</b> FRANKLIN, GEORGIA
PLUMBING SITE UTILITY DETAILS	
STATE OF GEORGIA REGISTERED PROFESSIONAL ENGINEER CHELSEA WALDRON	DRAWING NUMBER <b>U503</b>