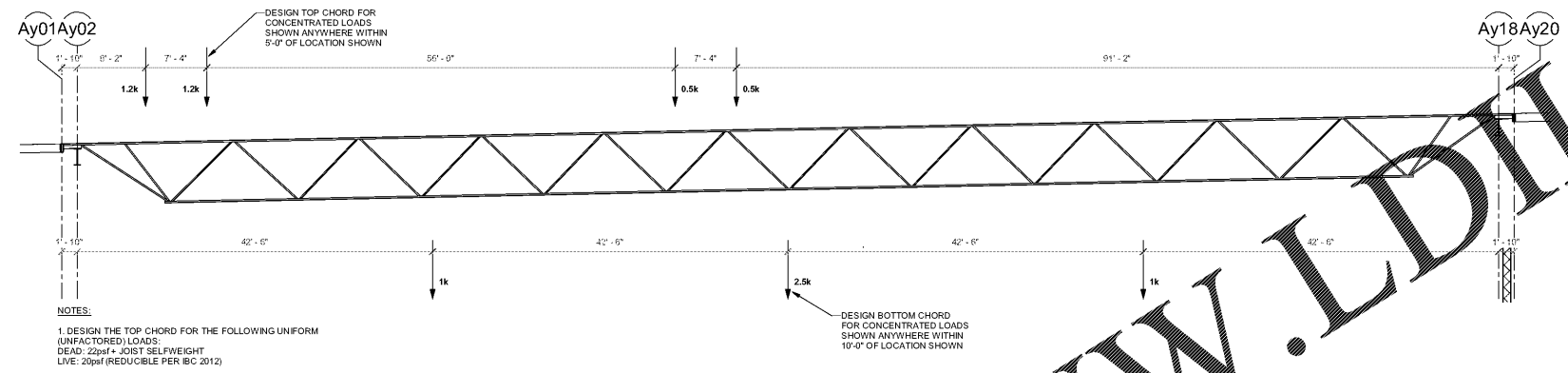
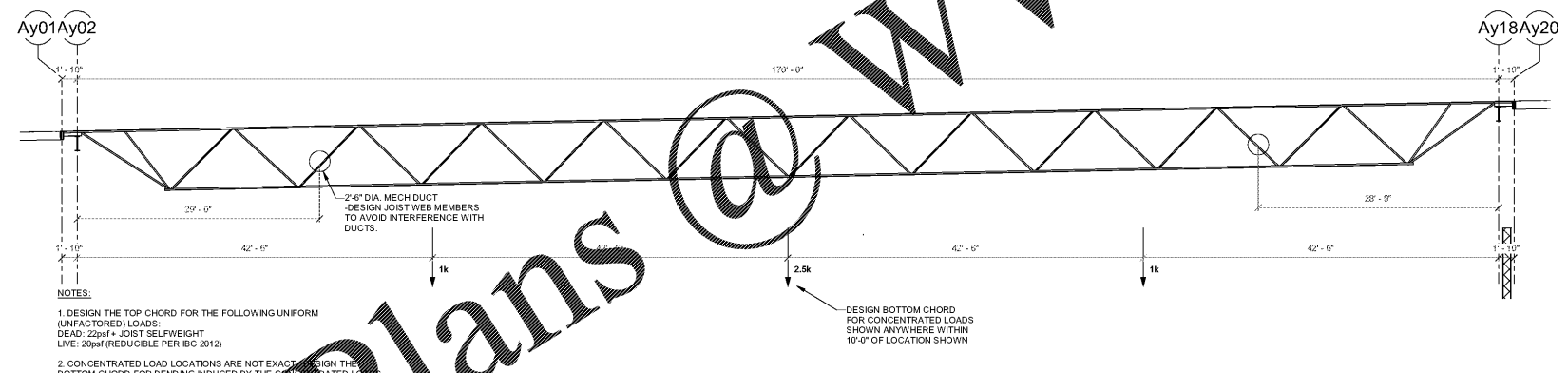


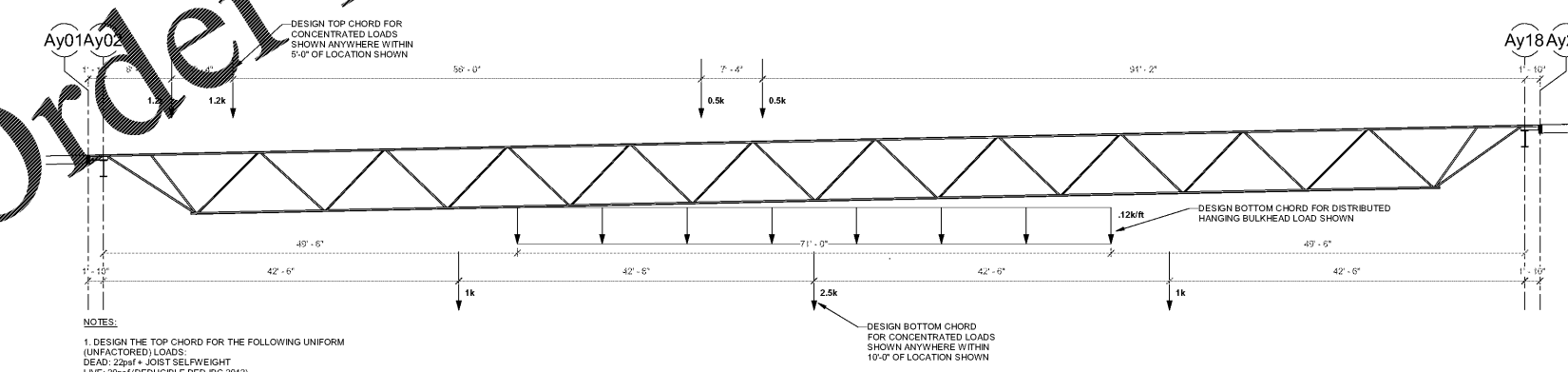
SPECIAL JOIST LOAD DIAGRAM - 88DLH20 - SP1
1/8" = 1'-0"



SPECIAL JOIST LOAD DIAGRAM - 88DLH20 - SP2
1/8" = 1'-0"




SPECIAL JOIST LOAD DIAGRAM - 88DLH20 - SP3
1/8" = 1'-0"



SPECIAL JOIST LOAD DIAGRAM - 88DLH20 - SP4
1/8" = 1'-0"

Order Plans @ www.LDILine.com

SA&E PROJECT NUMBER	01-615-056
BID PACKAGE	BP-1
ISSUED FOR CONSTRUCTION	10/15/2019
Southern AE 7951 Truon Circle Austell, Ga 30168 (770) 819-7777 architects & engineers	REVISIONS
	R # Doc # Date
FACILITY CODE NUMBER: 674-0110 GYMNASIUM/AUDITORIUM FOR: HEARD COUNTY SCHOOLS 545 MAIN STREET, FRANKLIN, GA 30217 HEARD COUNTY SCHOOL SYSTEM FRANKLIN, GEORGIA	
SPECIAL JOIST DIAGRAMS	
	DRAWING NUMBER <h1 style="font-size: 24px; margin: 0;">S602</h1>